

NANF85X13AJC2R349G1F

Wideband Cellular FPC Antenna



Description

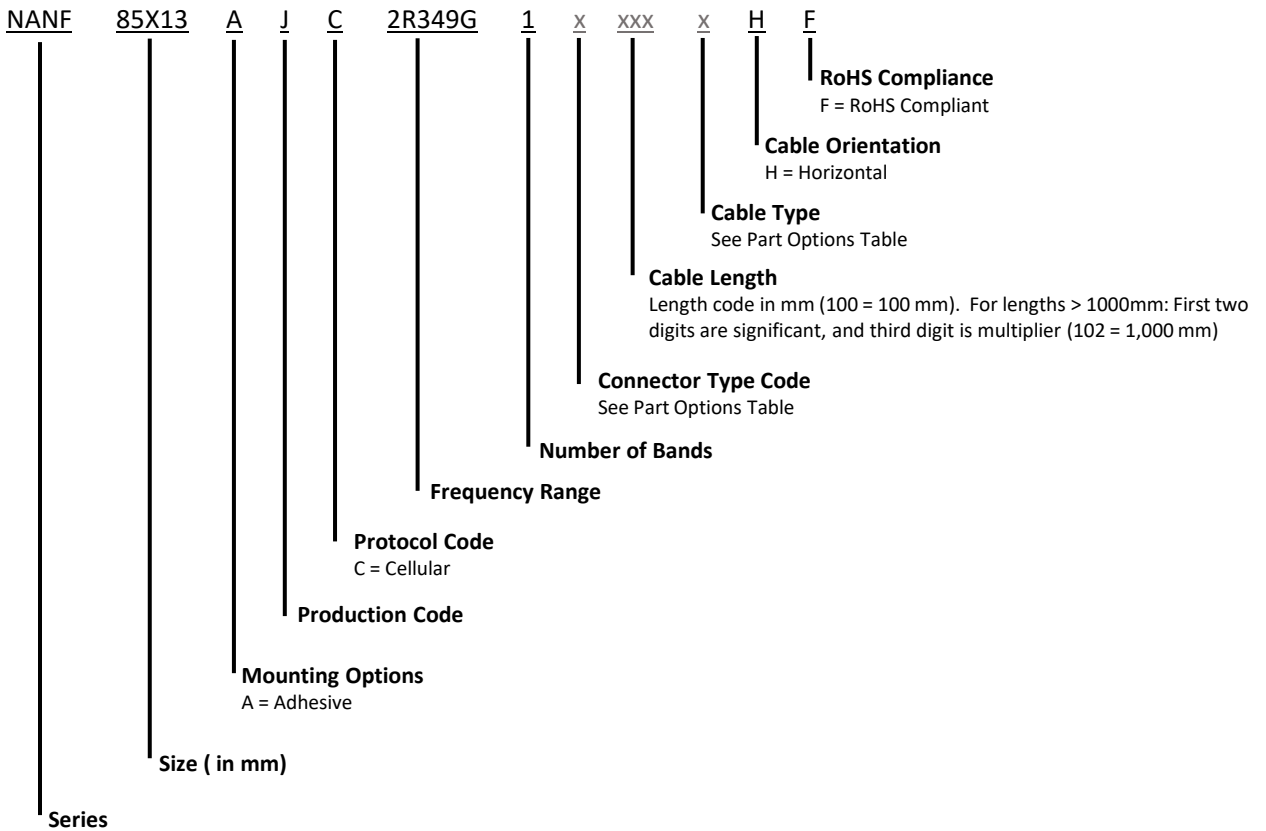
NANF85X13AJC2R349G1F is a Flexible PCB antenna designed for LTE applications. It operates within the frequency ranges of 698 ~ 4000 MHz, making it perfect for use in Routers, Gateways, Smart Meters and Commercial/ Handheld Electronics



Features

- Supports Wide Frequency Range: 698 ~ 4000 MHz
- Stable and Reliable Performance
- Customizable Cable and Connector
- RoHS Compliant

Part Number Breakdown:



NANF85X13AJC2R349G1F

Wideband Cellular FPC Antenna



Part Number Options

Part Number	Connector	Cable Length	Cable Type	Cable Orientation
NANF85X13AJC2R349G1X100AHF	IPEX I	100 mm	RF1.13	Horizontal
NANF85X13AJC2R349G1W305BHF	MMCX Male	305 mm (1 ft)	RF1.37	Horizontal
NANF85X13AJC2R349G1W610BHF	MMCX Male	610 mm (2 ft)	RF1.37	Horizontal

The table represents assembled part numbers available on www.niccomp.com from standard connector and cable options. For options not listed above please contact NIC"

Specifications

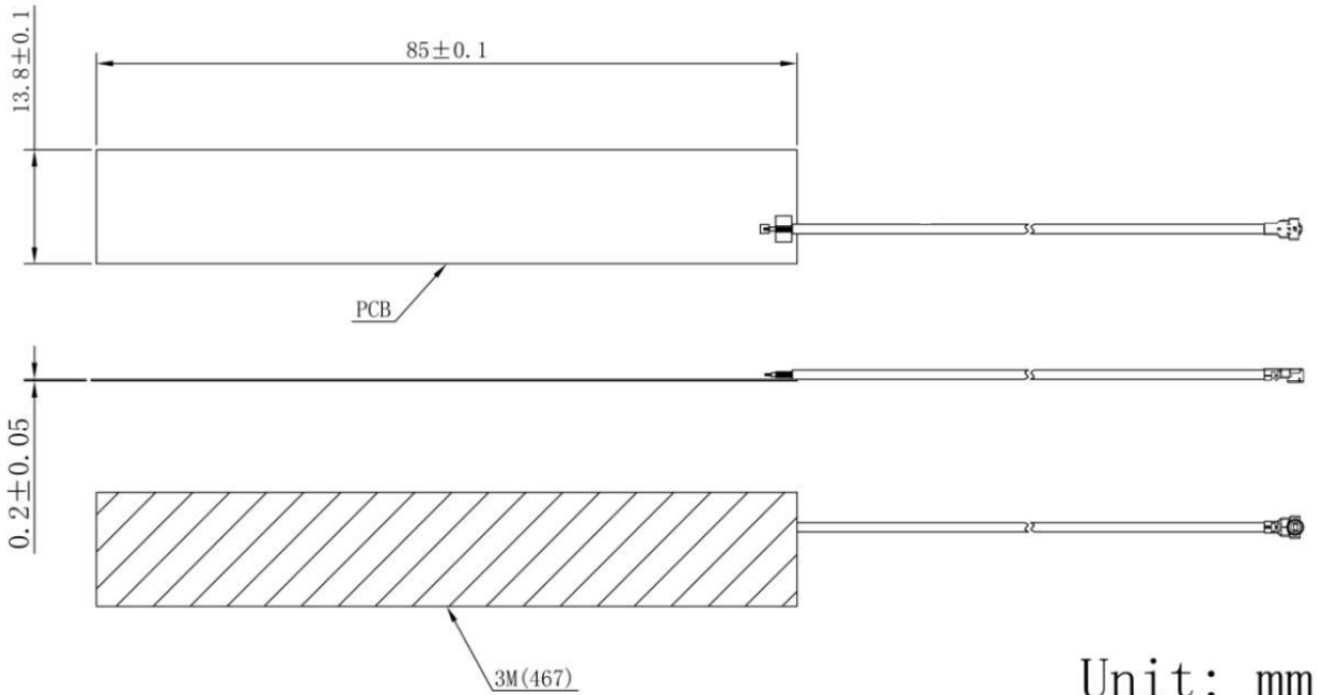
Electrical			
Frequency Range	698 ~4000 MHz		
Center Frequency	698 MHz	1710 MHz	3300 MHz
Peak Gain (typ.)	1.2 dBi	5.2 dBi	2.7 dBi
V.S.W.R	< 3 typ.		
Polarization	Linear		
Impedance	50Ω		
Environmental			
Operating Temperature	-40°C~+85°C		
Vibration	10 to 55Hz with 1.5mm amplitude 2hours		
Mounting Method	Adhesive & Embedded		
RoHS Complaint	Yes		

NANF85X13AJC2R349G1F

Wideband Cellular FPC Antenna



Dimension Drawing



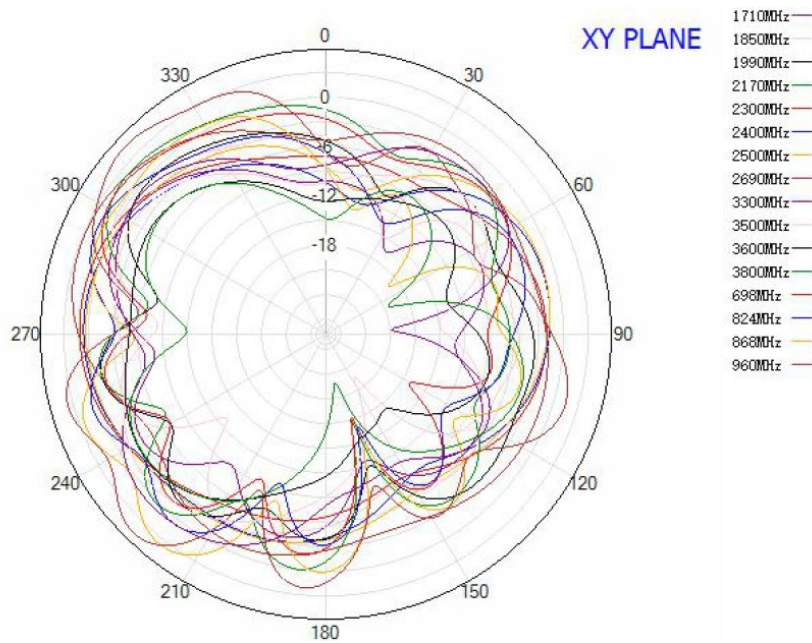
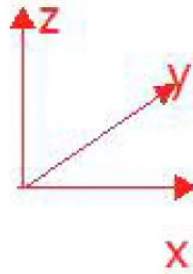
Unit: mm

NANF85X13AJC2R349G1F

Wideband Cellular FPC Antenna



Radiation Patterns



NANF85X13AJC2R349G1F

Wideband Cellular FPC Antenna

