

NANF50X20ACC0R698G4F

5G NR LTE FPC Antenna



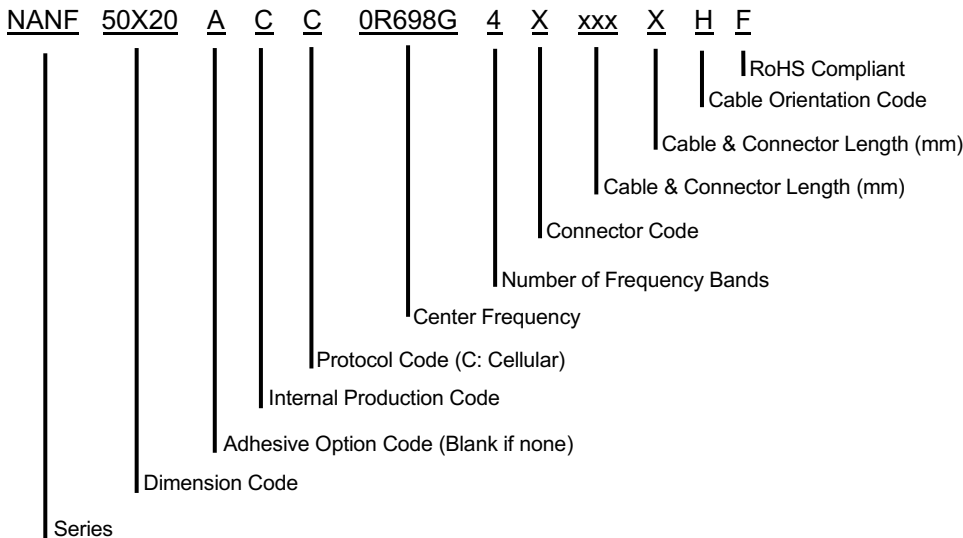
The NANF50X20ACC0R698G4F is a Flexible FPC antenna designed for LTE applications. It operates within the frequency ranges of 700 ~960 MHz, 1710 ~2690 MHz, 4400 ~ 5000 MHz and 5150 ~ 5850 MHz, making it perfect for use in Routers, Gateways, Smart Meters and Communication



Applications

- Support 5G NR LTE Bands
- Stable and Reliable Performance
- Customizable Cable and Connector
- RoHS & REACH Compliant

Part Number Breakdown:



Standard Part Number Listing

Part Number	Connector	Cable Length	Cable Type	Cable Orientation
NANF50X20ACC0R698G4X100BHF	IPEX I (X)	100 mm	RF1.37 (B)	Horizontal (H)
NANF50X20ACC0R698G4X300BHF	IPEX I (X)	300 mm	RF1.37 (B)	Horizontal (H)

The table represents assembled part numbers available on www.niccomp.com from standard connector and cable options. For options not listed above please contact NIC”

NANF50X20ACC0R698G4F

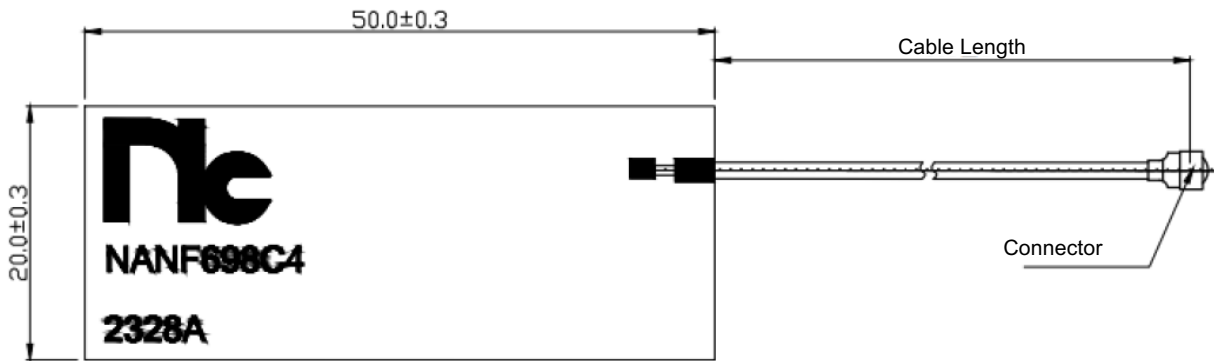
5G NR LTE FPC Antenna



Specifications

Electrical				
Frequency Range	700 ~ 960 MHz	1710 ~ 2690 MHz	4400 ~ 5000 MHz	5150 ~5850 MHz
Gain (typ.)	2 dBi	4 dBi	4 dBi	4 dBi
V.S.W.R	≤ 4.5			
Polarization	Linear			
Impedance	50Ω			
Environmental				
Operating Temperature	-40°C~+85°C			
RoHS Complaint	Yes			

Dimension Drawing



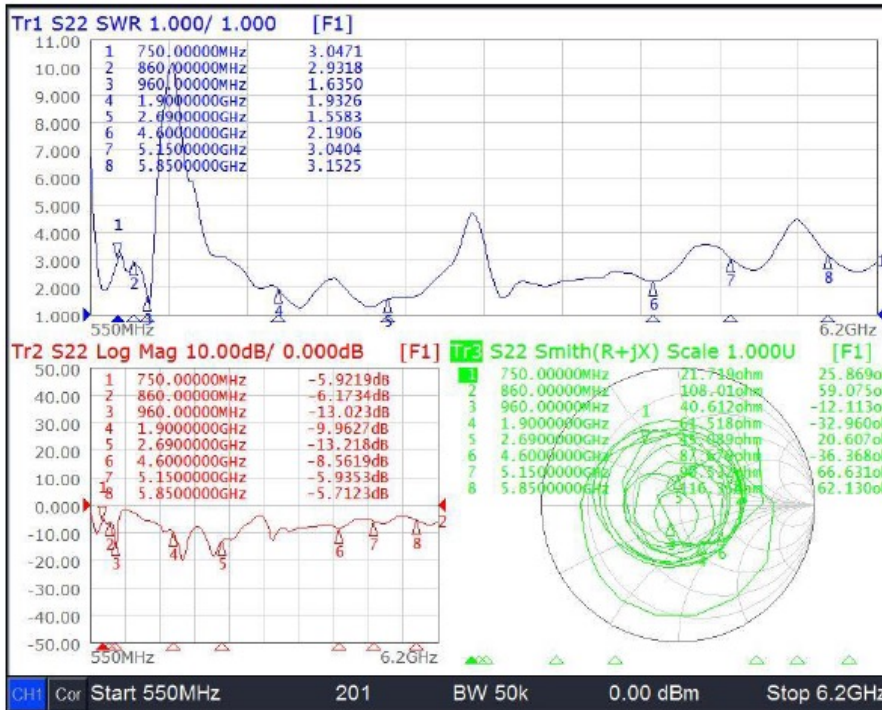
NANF50X20ACC0R698G4F

5G NR LTE FPC Antenna

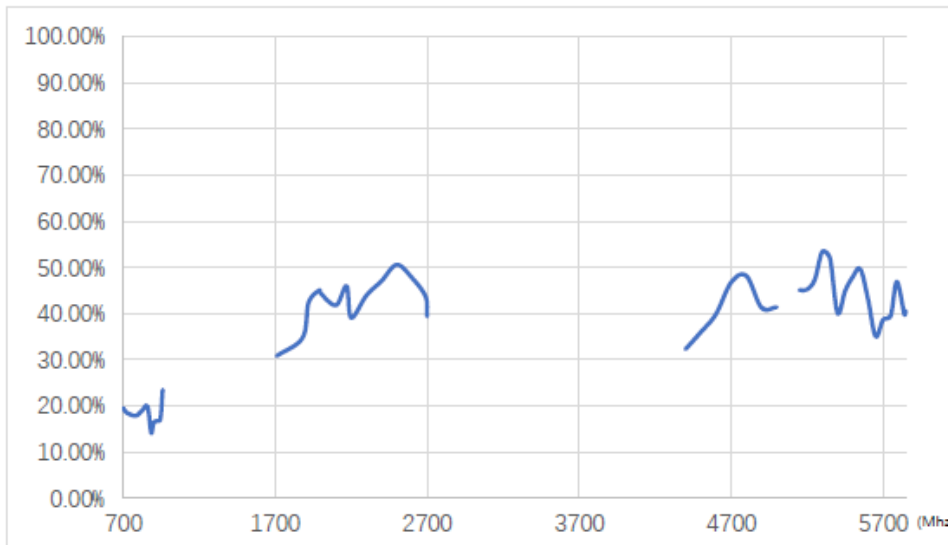


Antenna Parameters (NANF50X20ACC0R698G4X100BHF):

VSWR



Efficiency (%)



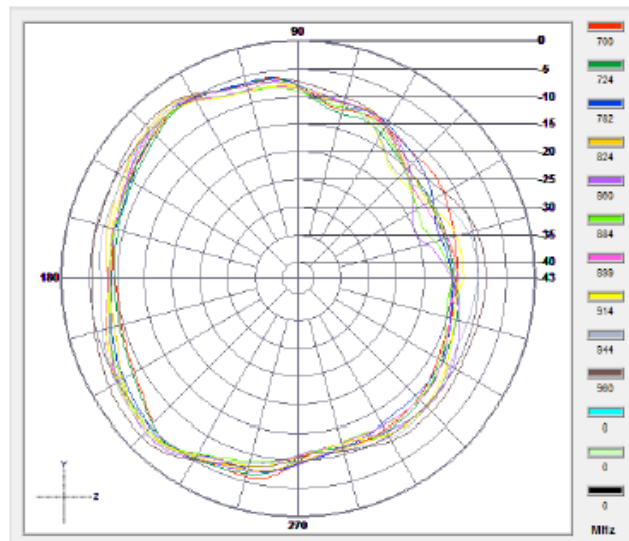
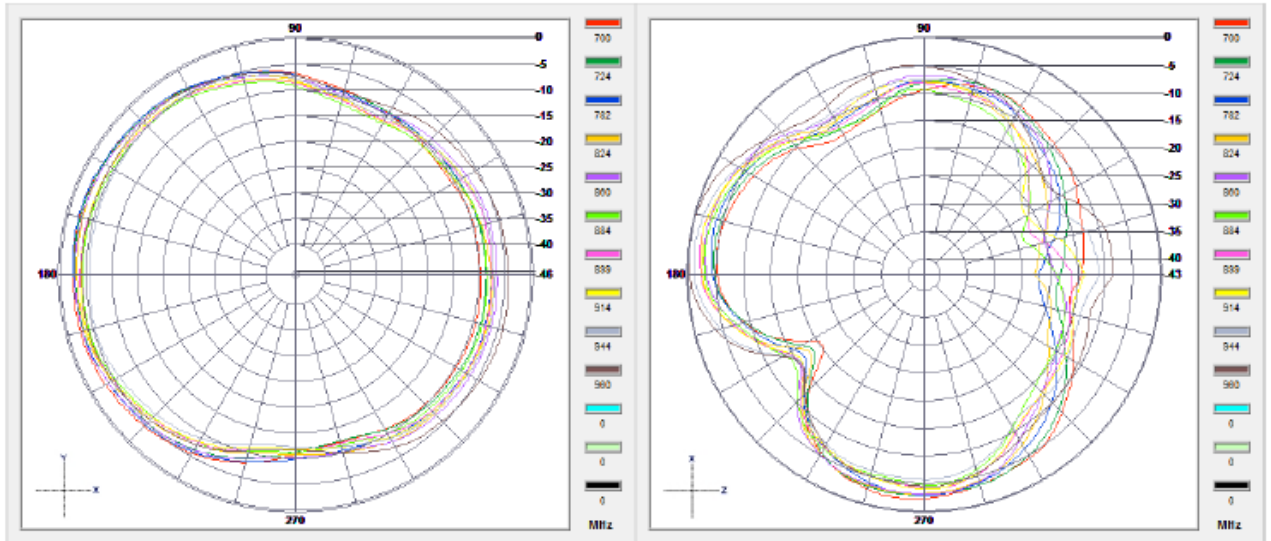
NANF50X20ACC0R698G4F

5G NR LTE FPC Antenna



2D Radiation Patterns NANF50X20ACC0R698G4X100BHF

700 ~ 960 MHz



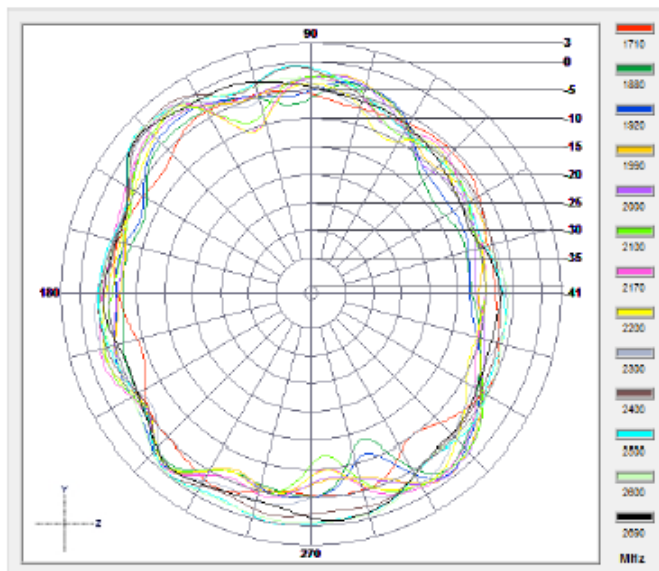
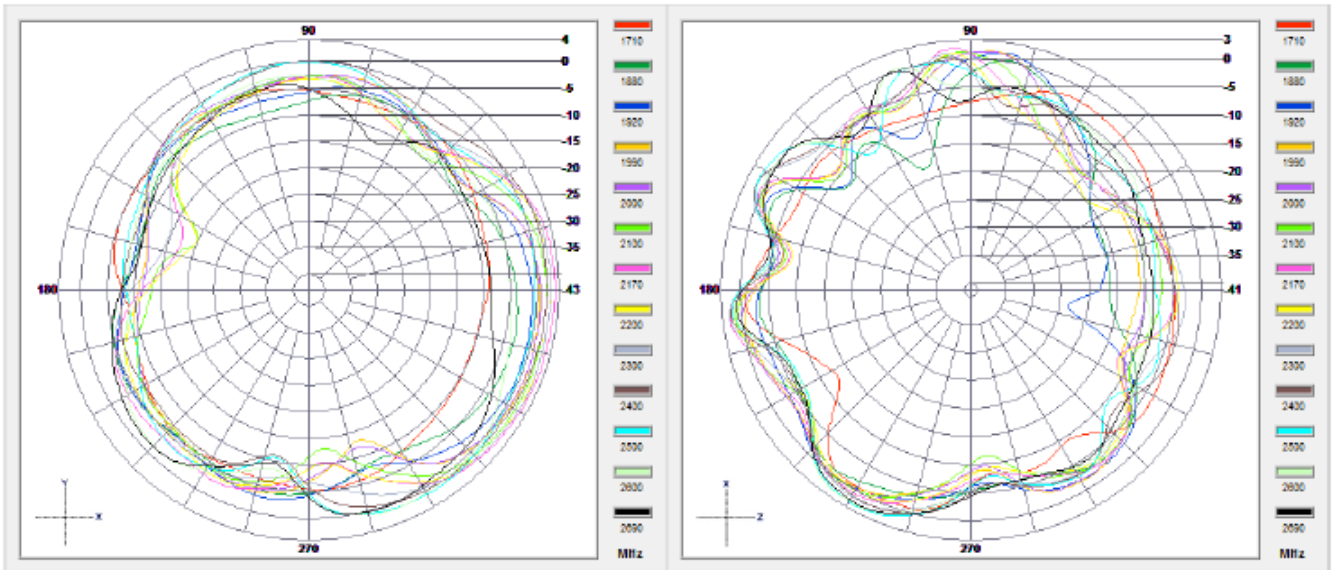
NANF50X20ACC0R698G4F

5G NR LTE FPC Antenna



2D Radiation Patterns NANF50X20ACC0R698G4X100BHF

1710 ~ 2690 MHz



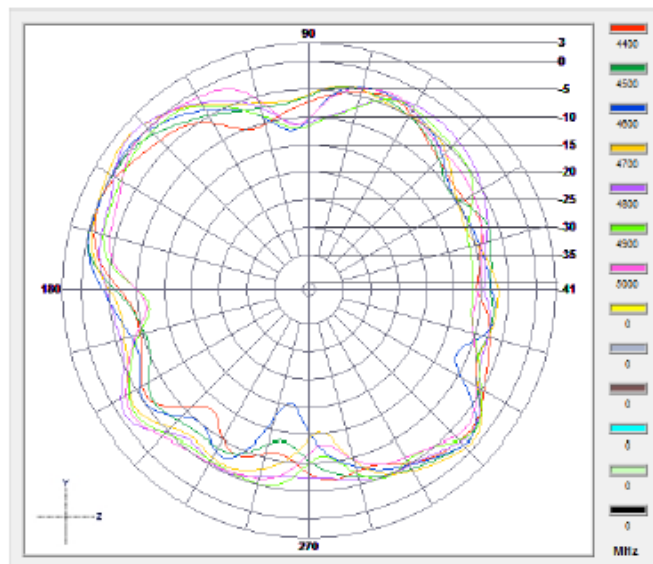
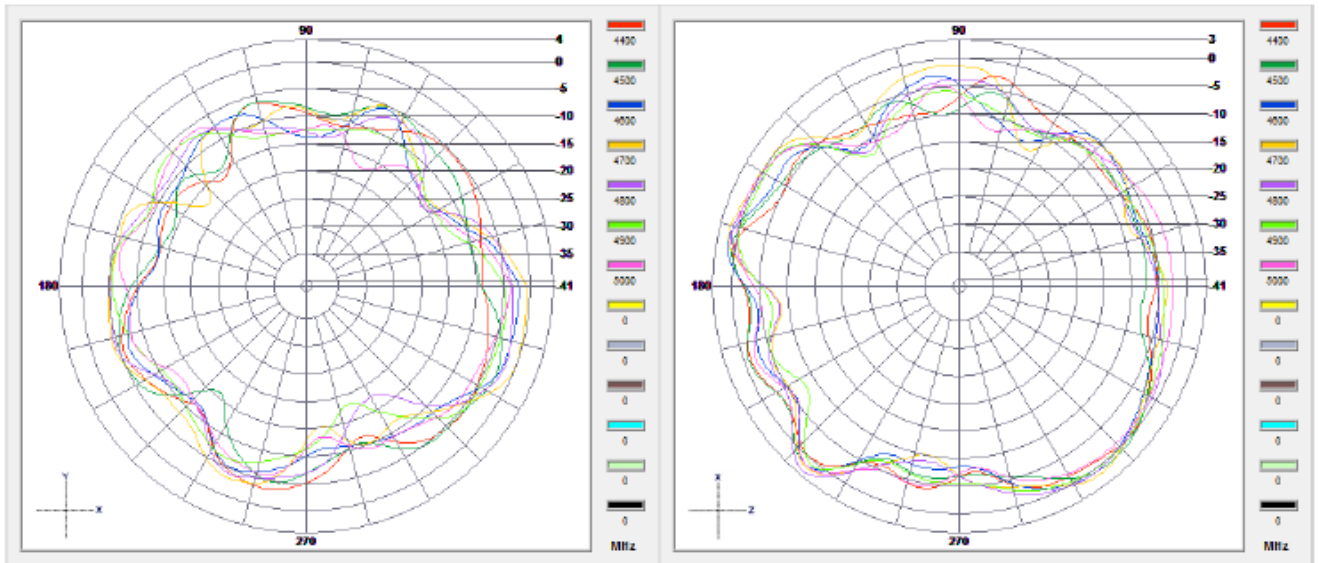
NANF50X20ACC0R698G4F

5G NR LTE FPC Antenna



2D Radiation Patterns NANF50X20ACC0R698G4X100BHF

4400 ~ 5000 MHz



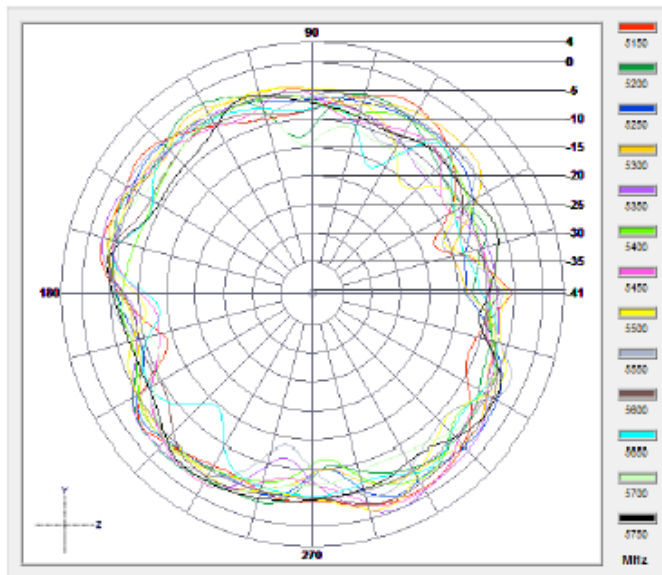
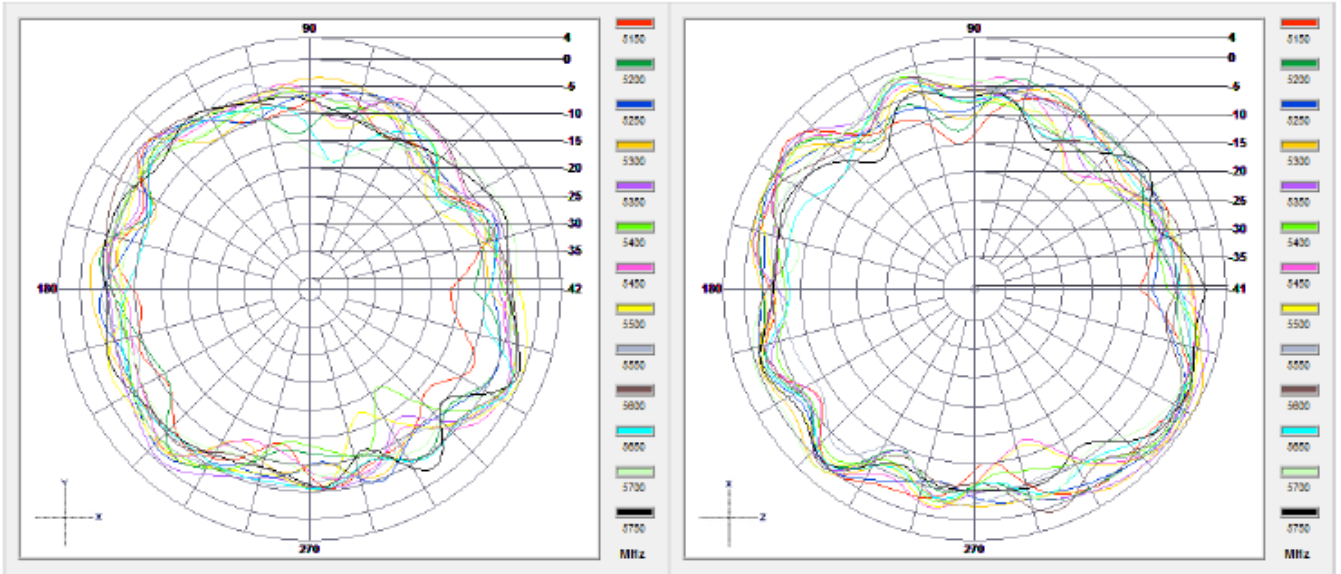
NANF50X20ACC0R698G4F

5G NR LTE FPC Antenna



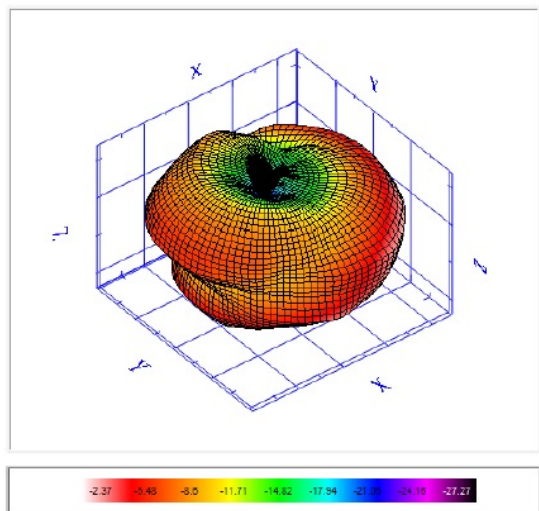
2D Radiation Patterns NANF50X20ACC0R698G4X100BHF

5150 ~ 5850 MHz

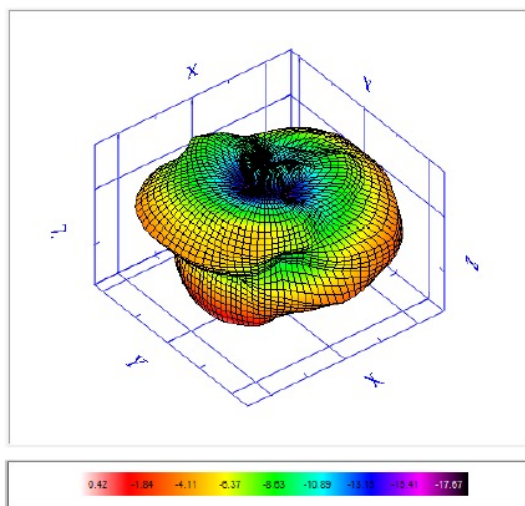


3D Radiation Patterns NANF50X20ACC0R698G4X100BHF

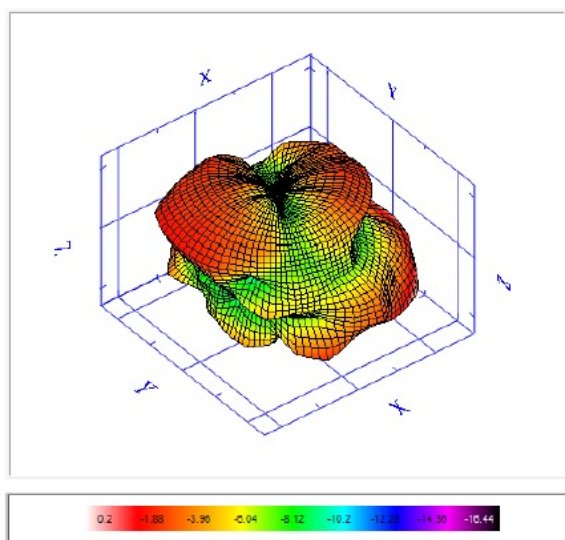
860 MHz



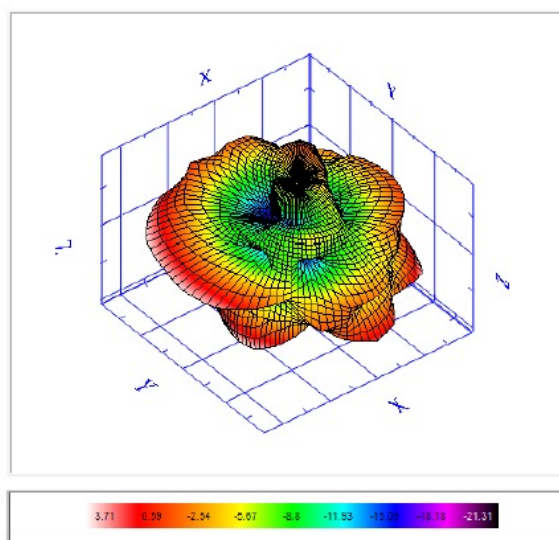
960 MHz



1710 MHz

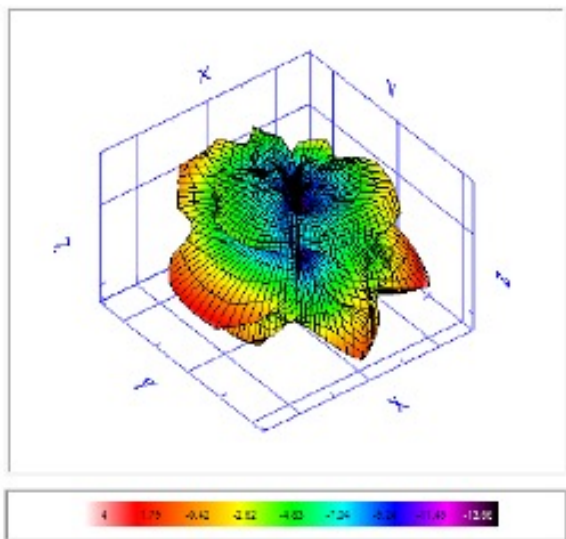


2300 MHz

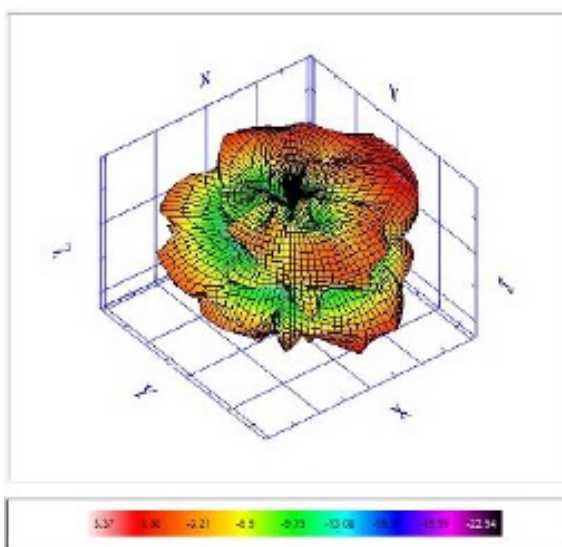


3D Radiation Patterns NANF50X20ACC0R698G4X100BHF

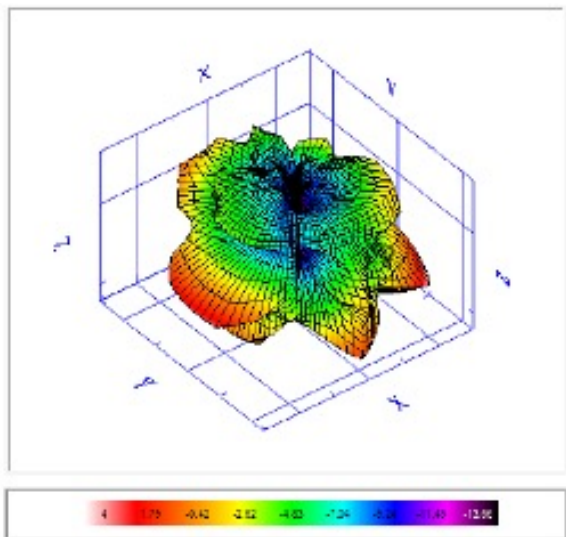
2690 MHz



4600 MHz



5150 MHz



5850 MHz

