

# NANF240X20AJCM0R824G2F

698 / 1710 MHz LTE MIMO FPC Antenna



## Description

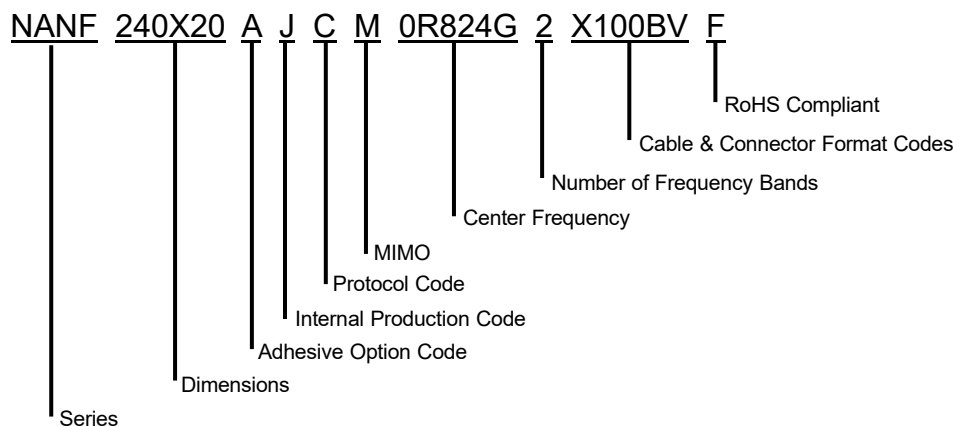
The NANF110X21AJC0R824G2F is a Flexible PCB antenna designed for LTE applications. It operates within the frequency ranges of 698~960MHz and 1710~2690MHz making it perfect for use in Cellular Communication, Gateways and Smart Meters.

## Features

- 698 / 1710 MHz LTE MIMO Protocols
- Customizable cable type and cable length
- RoHS compliant



## Part Number Breakdown



## Standard Part Number Listing

Part Number	Connector	Cable Length	Cable Type	Cable Orientation
NANF240X20AJCM0R824G2X100BVF	IPEX MHF	100 mm	RF1.37	Vertical

The table represents assembled part numbers available on [www.niccomp.com](http://www.niccomp.com) from standard connector and cable options. For options not listed above please contact NIC"

# NANF240X20AJCM0R824G2F

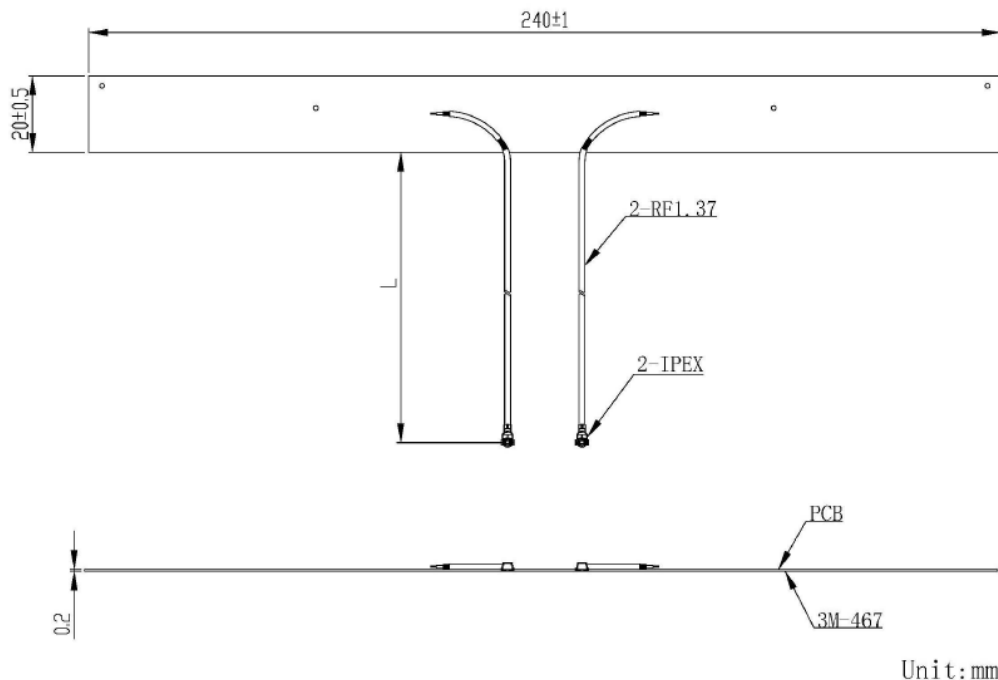
698 / 1710 MHz LTE MIMO FPC Antenna



## Specifications

Frequency Ranges	698~960MHz
	1710~2690MHz
Gain	3 dBi
V.S.W.R	< 3.0
Polarization	Linear
Impedance	50Ω
Operating Temperature Range	-40°C ~ 85°C
Vibration	10 to 55 Hz with 1.5mm amplitude 2 hrs.
Mounting Method	Adhesive
RoHS Complaint	Yes

## Dimensions



# NANF240X20AJCM0R824G2F

698 / 1710 MHz LTE MIMO FPC Antenna



## Radiation Patterns

