

NANF110X20AJC0R824G2F

698 / 1710 MHz LTE FPC Antenna



Description

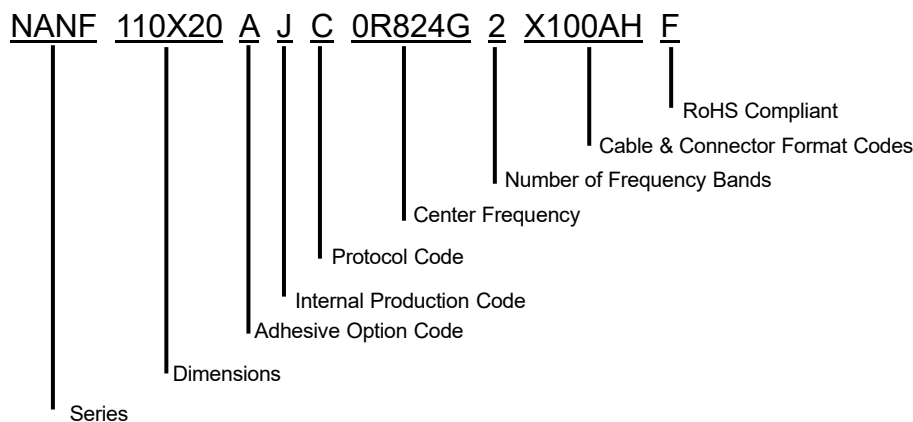
The NANF110X20AJC0R824G2F is a Flexible PCB antenna designed for LTE applications. It operates within the frequency ranges of 698~960MHz and 1710~2690MHz making it perfect for use in Cellular Communication, Gateways and Smart Meters.



Features

- 698 / 1710 MHz LTE Protocols
- Customizable cable type and cable length
- RoHS compliant

Part Number Breakdown



Standard Part Number Listing

Part Number	Connector	Cable Length	Cable Type	Cable Orientation
NANF110X20AJC0R824G2X100AHF	IPEX MHF	100 mm	RF1.13	Horizontal
NANF110X20AJC0R824G2X750CHF	IPEX MHF	750 mm	RG178	Horizontal

The table represents assembled part numbers available on www.niccomp.com from standard connector and cable options. For options not listed above please contact NIC”

NANF110X20AJC0R824G2F

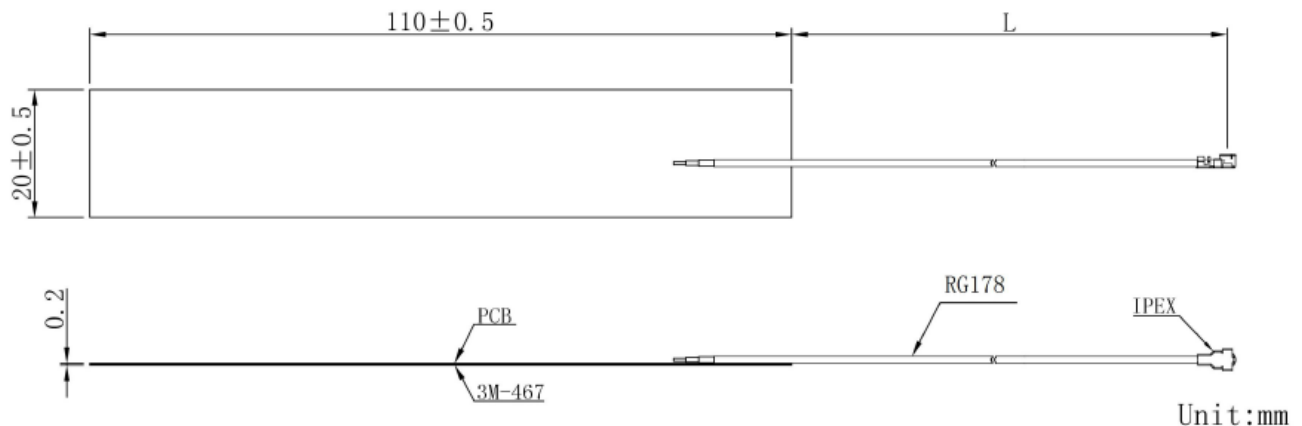
698 / 1710 MHz LTE FPC Antenna



Specifications

Frequency Ranges	698~960MHz
	1710~2690MHz
Gain	3 dBi
V.S.W.R	< 3.0
Polarization	Linear
Impedance	50Ω
Operating Temperature Range	-40°C ~ 85°C
Vibration	10 to 55 Hz with 1.5mm amplitude 2 hrs.
Mounting Method	Adhesive
RoHS Complaint	Yes

Dimensions



NANF110X20AJC0R824G2F

698 / 1710 MHz LTE FPC Antenna



Radiation Patterns

