

NANE9X91WSJC0R880G2MF

880 / 1710 MHz GSM External Antenna



Features

- GSM 880 & 1710 MHz Bands
- Straight Angle
- RoHs Complaint

Applications

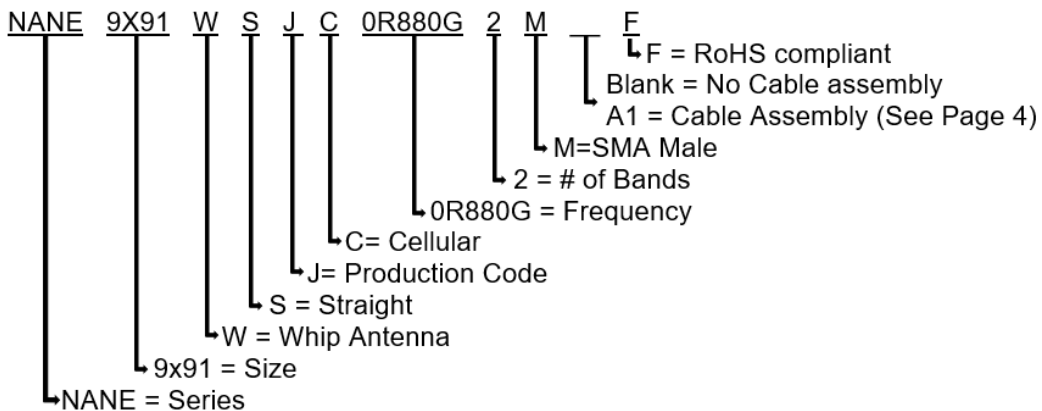
- Cellular Communication
- 4G LTE Coverage
- ISM BANDS



Specifications

Electrical	
Frequency Range	880~960MHz 1710~2170MHz
Gain	2 dBi
V.S.W.R	< 2.5
Polarization	Linear
Impedance	50Ω
Environmental	
Operating Temperature -	-40°C~+85°C
Vibration	10 to 55Hz with 1.5mm amplitude 2hours
RoHs Compliant	Yes

Part Number Breakdown

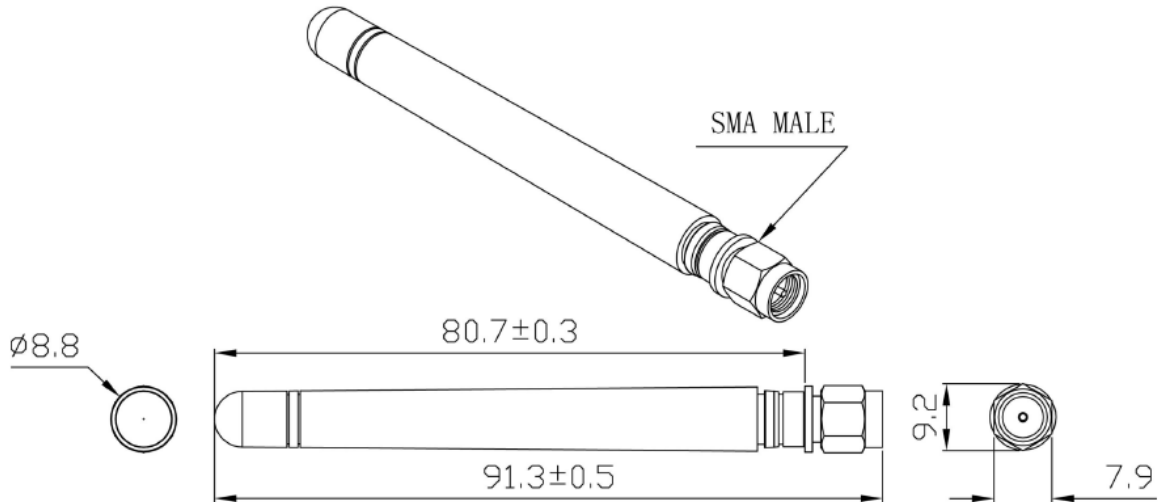


NANE9X91WSJC0R880G2MF

880 / 1710 MHz GSM External Antenna



Dimension Drawing



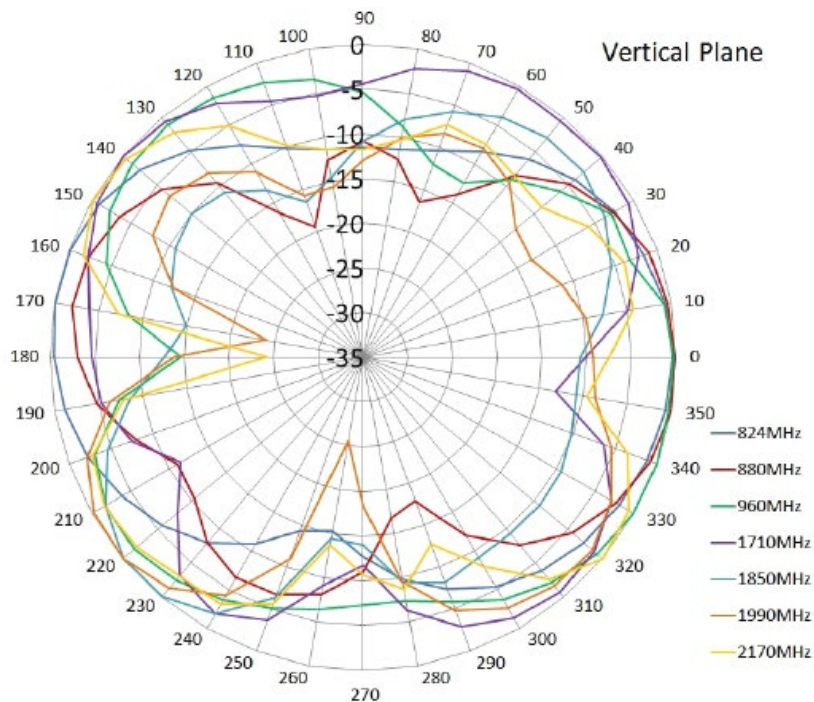
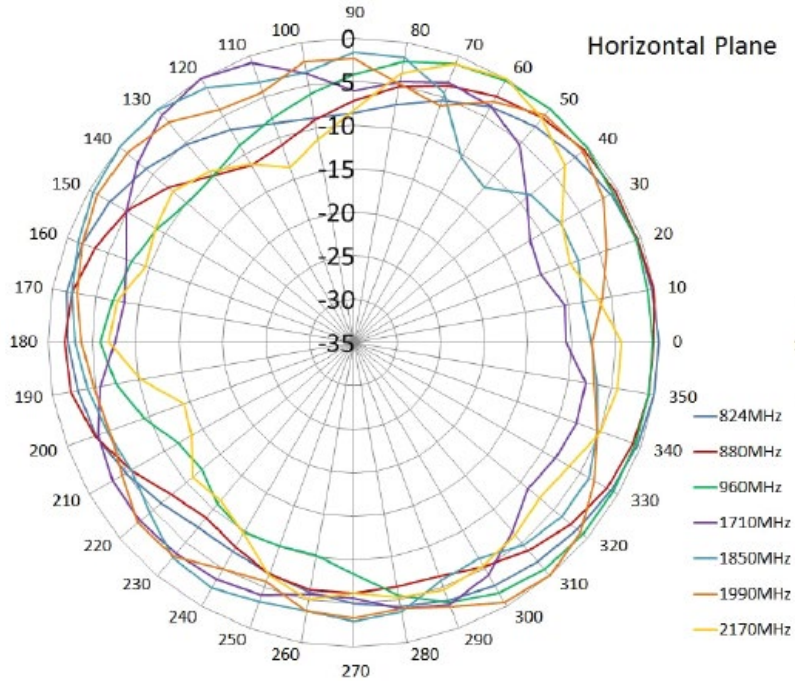
UNIT : mm

Dimensions (mm) & Mechanical

Body Length	91.3 ± 0.5
Diameter	8.8
Connection Type	SMA Male



Radiation Patterns

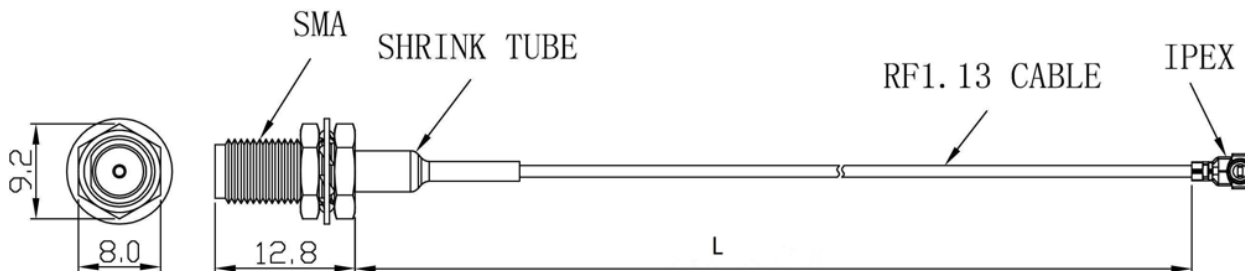


NANE9X91WSJC0R850G2MF

880 / 1710 MHz GSM External Antenna



NANE9X91WSJC0R850G2MA1F Assembly Option



Dimensions (mm) & Mechanical

Assembly Ref	Protocol	Connector Type	Cable Type
A1	GSM / ISM	SMA Female to IPEX	RF1.13