

NANE9X83WTJC829M2MF

698 & 1710 MHz LTE External Antenna



Description

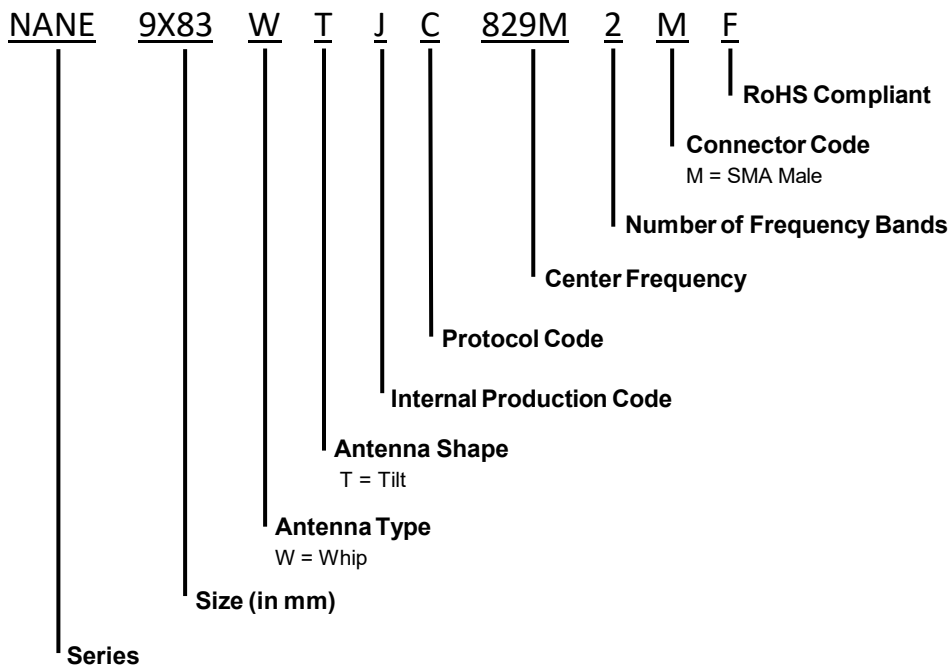
The NANE9X83WTJC829M2MF is an External Whip Antenna designed for LTE applications. It operates within the frequency ranges of 698~960 MHz & 1710~2655 MHz making it perfect for Routers, Meters and Gateways.

Features

- 698 & 1710 MHz LTE Protocols
- Up to 90° flexibility
- RoHs Compliant



Part Number Breakdown



Part Numbers Options

Part Number	Protocol	Connector
NANE9X83WTJC829M2MF	LTE	SMA Male

The table represents assembled part numbers available on www.niccomp.com. For options not listed above please contact NIC

NANE9X83WTJC829M2MF

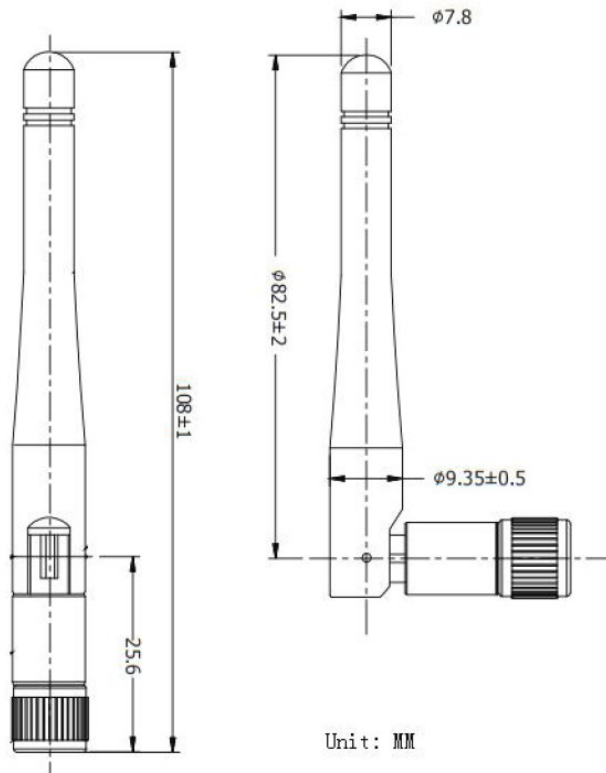
698 & 1710 MHz LTE External Antenna



Specifications

Electrical	
Frequency Range	698~960 MHz 1710~2655 MHz
Gain	3 dBi (typ.)
V.S.W.R	< 3.0
Polarization	Linear
Impedance	50 Ω
Environmental	
Operating Temperature	-40°C~+85°C
Vibration	10 to 55Hz with 1.5mm amplitude 2hours
ROHS Compliant	Yes

Dimensions



NANE9X83WTJC829M2MF

698 & 1710 MHz LTE External Antenna



Radiation Patterns

