

NANE9X30WSJW2R000G1MF

2.4 GHz WIFI Whip Antenna



Features

- 2.4 GHz WIFI Band
- Compact Size
- RoHs Complaint

Applications

- Meters
- Routers
- Gateways



Specifications

Electrical	
Frequency Range	2.4 GHz
Bandwidth	100 MHz
Peak Gain	3 dBi
VSWR	≤ 2.0
Polarization	Linear (Vertical)
Impedance	50 Ω
Environmental	
Operating Temperature	-40°C~+85°C
Relative Humidity	Up to 95%
Vibration	10 to 55Hz with 1.5mm amplitude 2hours
ROHS Compliant	Yes

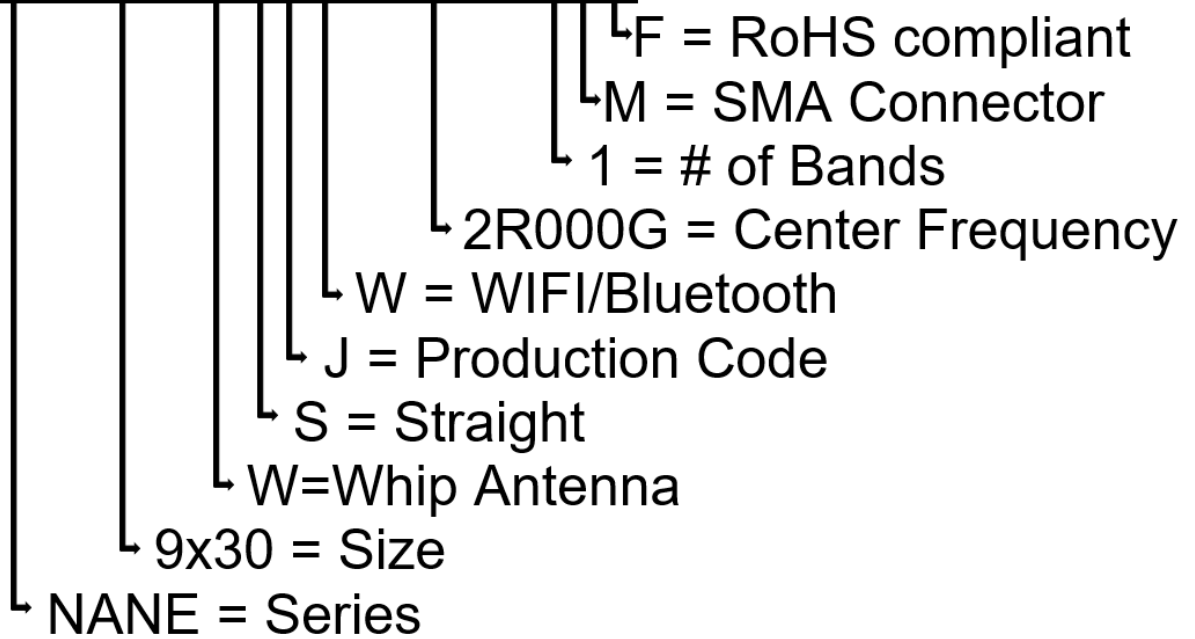
NANE9X30WSJW2R000G1MF

2.4 GHz WIFI Whip Antenna



Part Number Breakdown

NANE9X30WSJW2R000G1MF

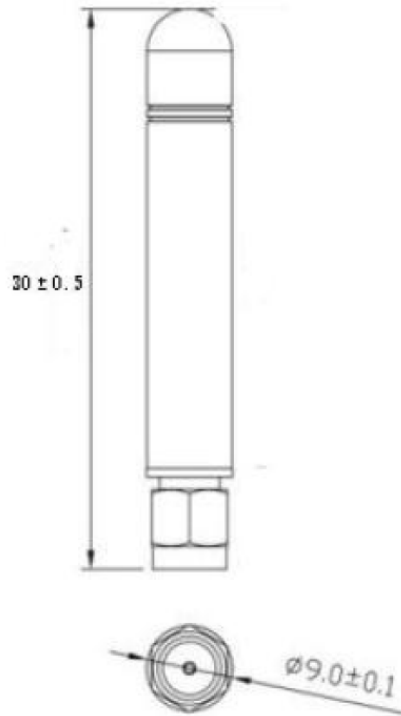


NANE9X30WSJW2R000G1MF

2.4 GHz WIFI Whip Antenna



Dimension Drawing



Dimensions (mm) & Mechanical

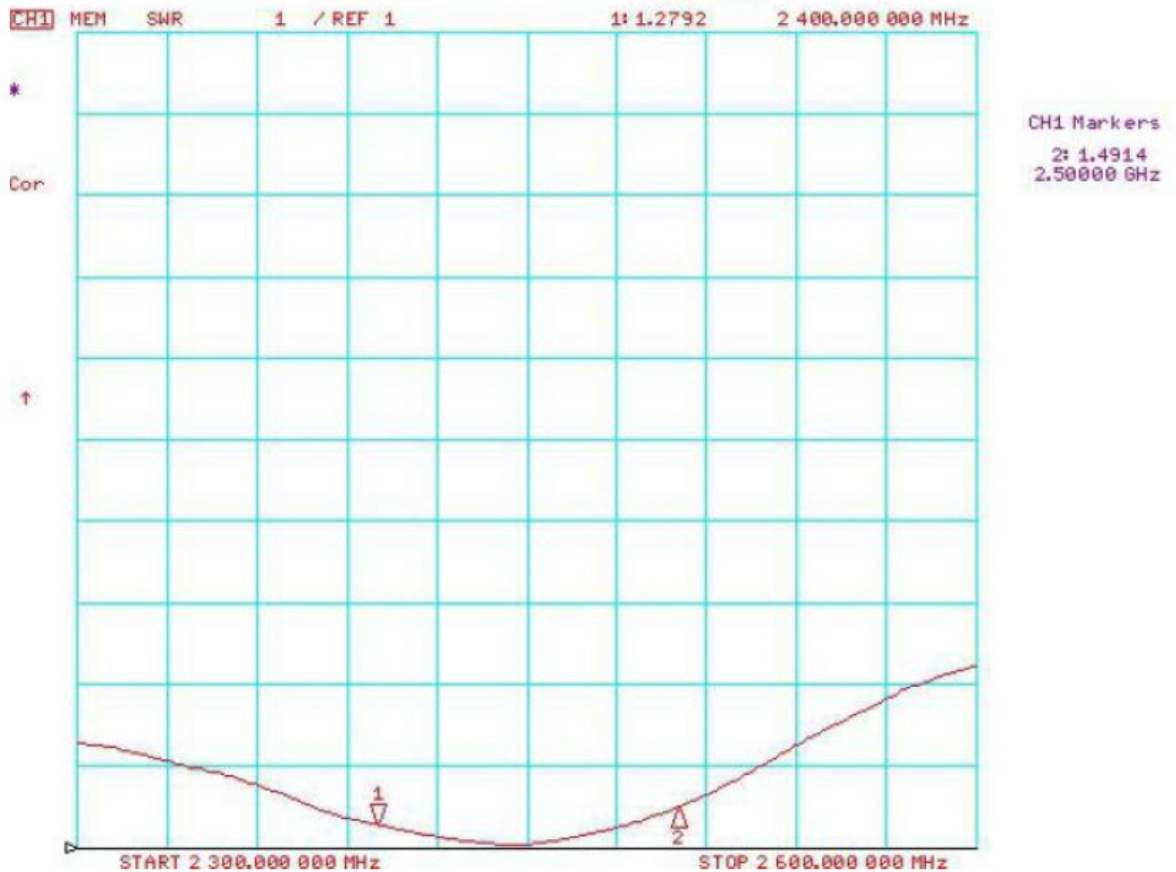
Diameter	9.0 ± 0.1
Length	30.0 ± 0.5
Connector Type	SMA Male
Radome material	ABS

NANE9X30WSJW2R000G1MF

2.4 GHz WIFI Whip Antenna



VSWR



NANE9X30WSJW2R000G1MF

2.4 GHz WIFI Whip Antenna



Radiation Patterns

