

NANE9X105WSJW2C120A0F

2.4 & 5.1 GHz WIFI Whip External Antenna



Description

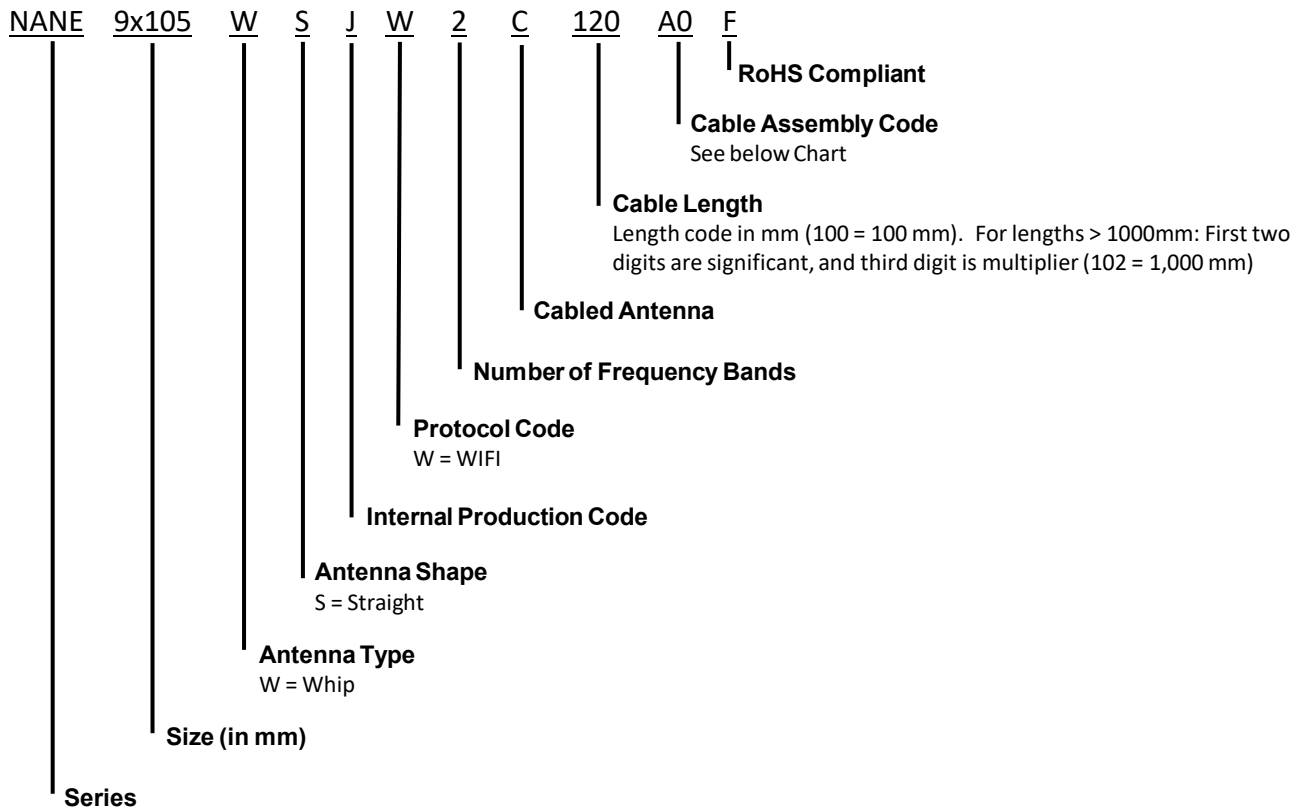
The NANE9X105WSJW2C120A0F is an External Whip antenna designed for WIFI applications. It operates within the frequency ranges of 2400 ~2500 MHz and 5150 ~5850 MHz making it perfect for Smart meters, remote monitoring, and Gateways



Features

- 2.4 GHz & 5.1 GHz WIFI protocol
- Up to 90° Flexibility
- RoHS Compliant

Part Number Breakdown



Standard Part Numbers Listings

Part Number	Protocol	Connector	Cable Type	Cable Length
NANE9X105WSJW2C120A0F	WIFI	IPEX I	RF1.13	120 mm

The table represents assembled part numbers available on www.niccomp.com. For options not listed above please contact NIC

NANE9X105WSJW2C120A0F

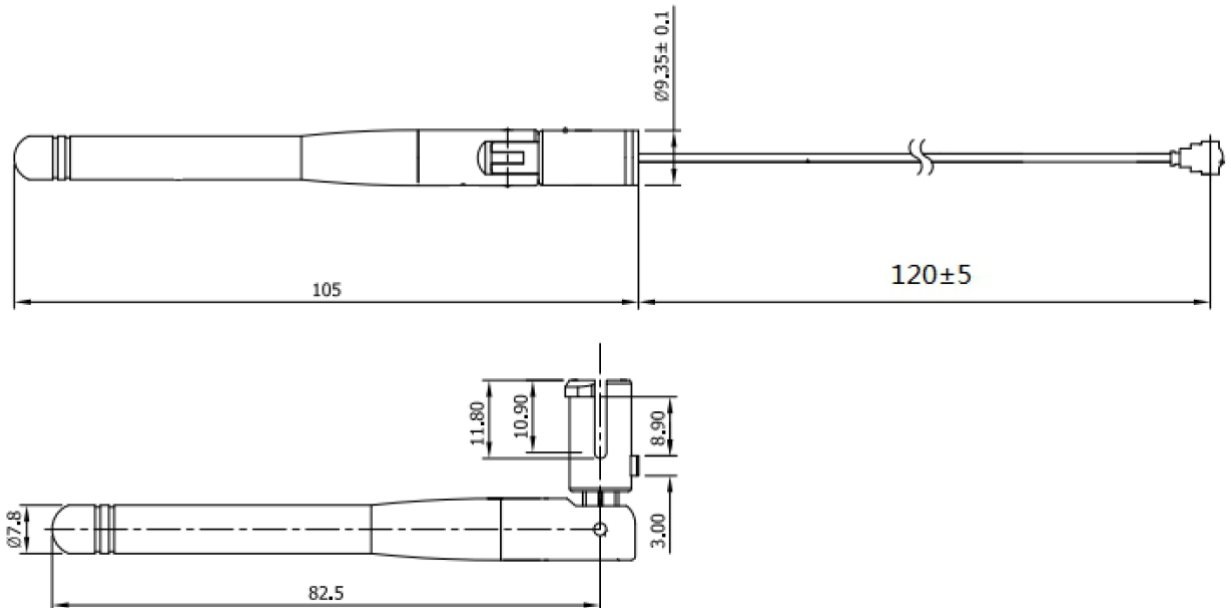
2.4 & 5.1 GHz WIFI Whip External Antenna



Specifications

Electrical	
Frequency Range	2400~2500 MHz 5150~58500MHz
Gain	3 dBi
VSWR	< 3.0
Polarization	Linear
Impedance	50 Ω
Environmental	
Operating Temperature	-20°C~+65°C
Vibration	10 ~ 55Hz with 1.5mm amplitude 2 hours
ROHS Compliant	Yes

Dimensions



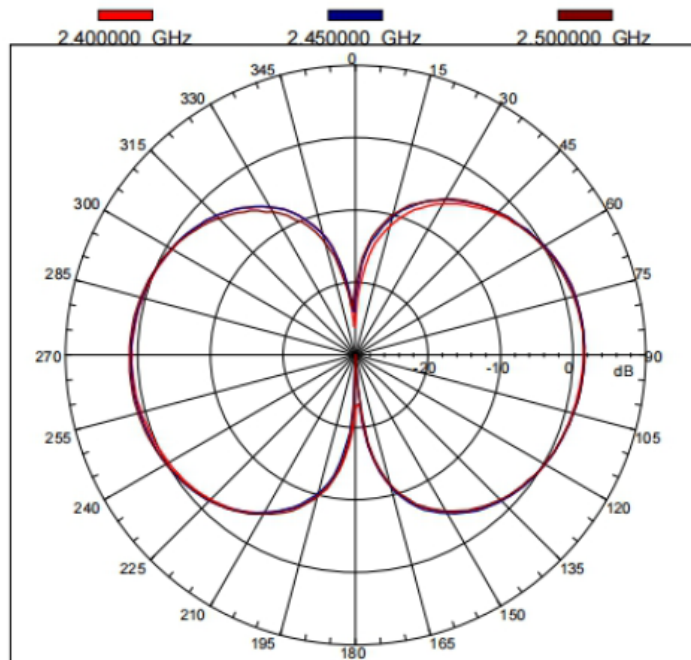
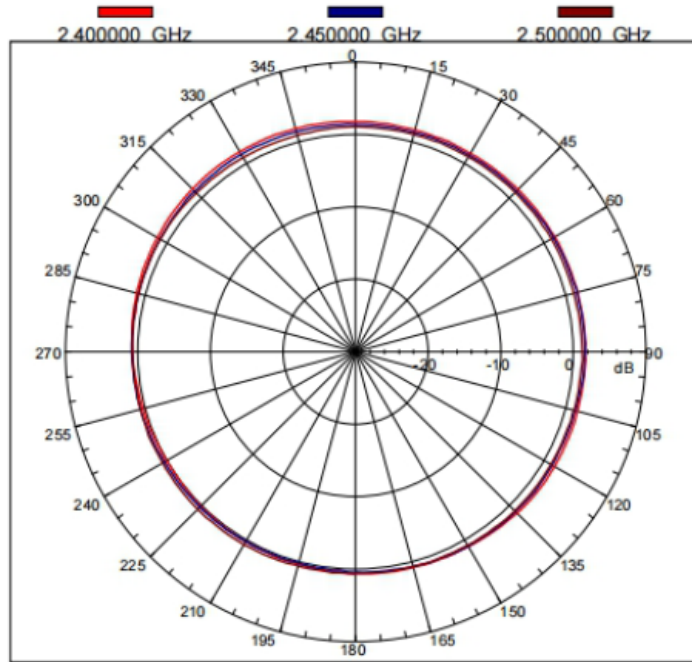
NANE9X105WSJW2C120A0F

2.4 & 5.1 GHz WIFI Whip External Antenna



Radiation Patterns

2400 ~ 2500 MHz

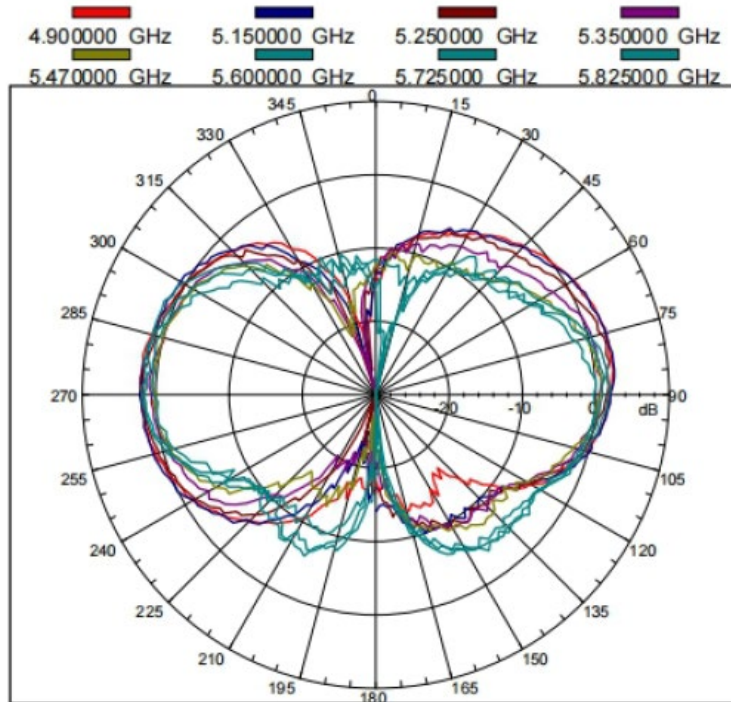
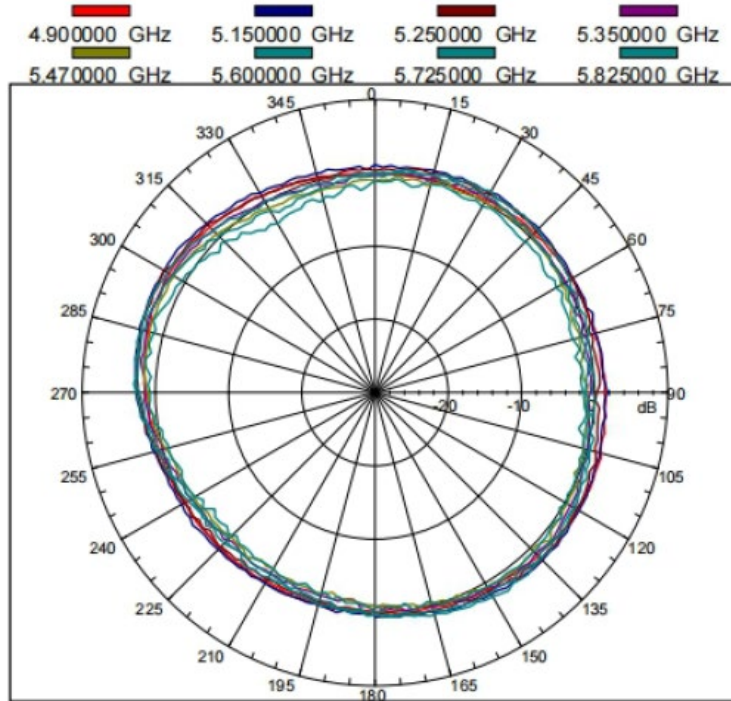


NANE9X105WSJW2C120A0F

2.4 & 5.1 GHz WIFI Whip External Antenna



4900 ~ 5825 MHz



Performance Passives By Design

NIC Components Corp.
100 Baylis Road. Melville, NY 11747

Page 4
www.niccomp.com

Last Updated 6/10/2024. Specification subject to change without notice. Please check web site or contact NIC for latest information