

NANE8X115WRJC0R824G2MF

698 & 1710 MHz LTE External Antenna



Description

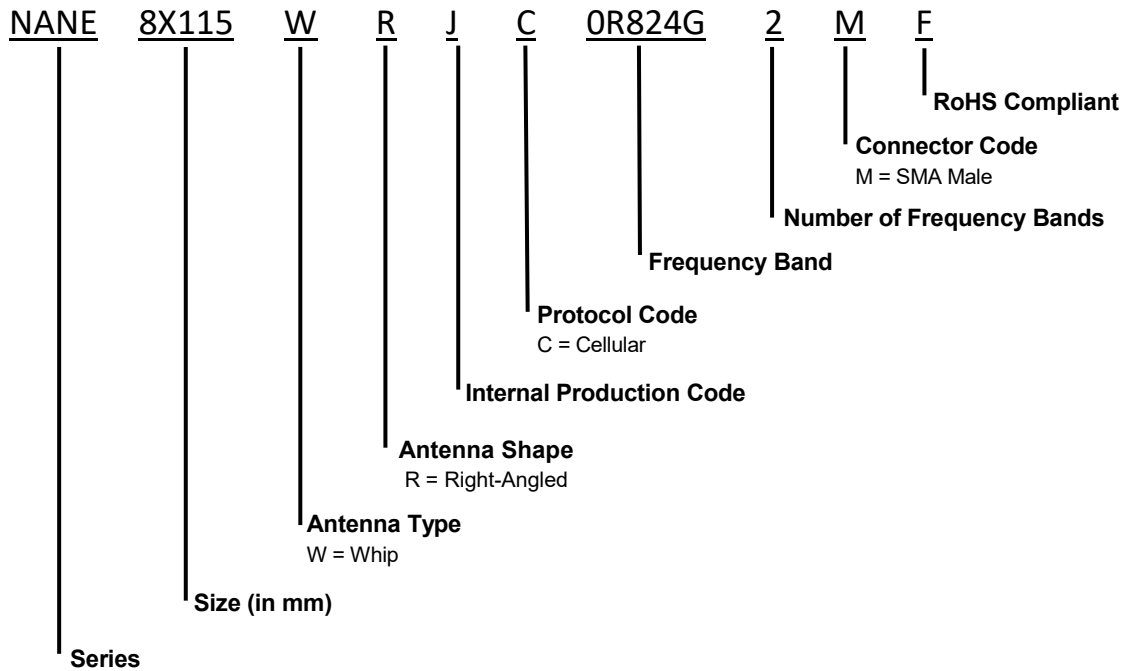
The NANE8X115WRJC0R824G2MF is an External Whip antenna designed for LTE applications. It operates within the frequency ranges of 698 ~960 MHz & 1710 ~ 2655 MHz making it perfect for Meters, Routers and Gateways.



Features

- 698 & 1710 MHz LTE Bands
- Right Angled Connector
- RoHs Compliant

Part Number Breakdown



Part Number Options

Part Number	Protocol	Connector
NANE8X115WRJC0R824G2MF	Cellular/LTE	SMA Male

The table represents assembled part numbers available on www.niccomp.com. For options not listed above please contact NIC

NANE8X115WRJC0R824G2MF

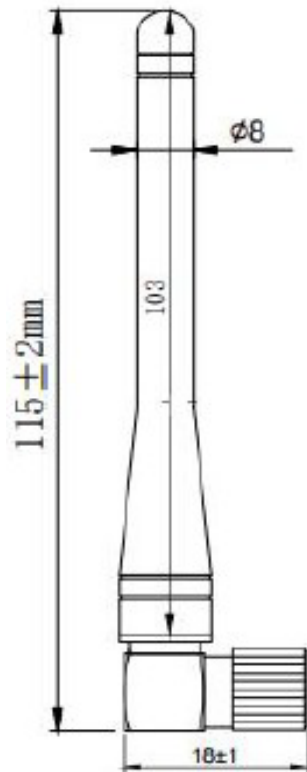
698 & 1710 MHz LTE External Antenna



Specifications

Electrical	
Frequency Range	698 ~960 MHz 1710 ~ 2655 MHz
Polarization	Linear
Gain	2 dBi
V.S.W.R	< 3.0
Impedance	50Ω
Environmental	
Operating Temperature	-40°C~+85°C
Vibration	10 ~ 55Hz with 1.5mm Amplitude 2 Hours
RoHS Compliant	Yes

Dimensions



Unit: MM

RADIATION PATTERNS

