

# NANE18X42WRJC0R880G2MF

824 & 1710 MHz Cellular External Antenna



## Description

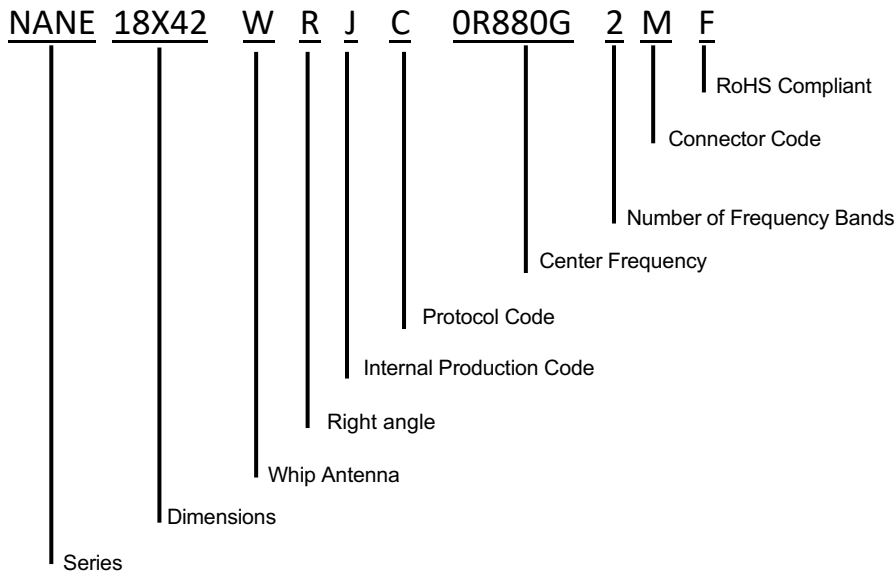
The NANE18X42WRJC0R880G2MF is an External Whip antenna designed for Cellular applications. It operates within the frequency ranges of 824~894 MHz & 1710~2170 MHz making it perfect for Meters, Routers and Gateways

## Features

- 824 & 1710 MHz Cellular Protocols
- Up to 90° flexibility
- RoHs Compliant



## Part Number Breakdown



# NANE18X42WRJC0R880G2MF

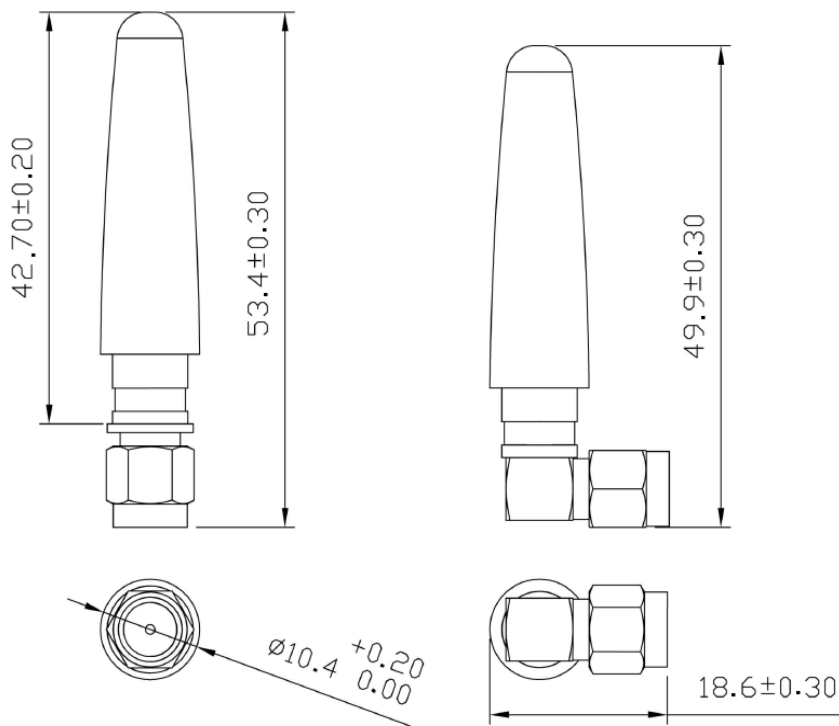
## 824 & 1710 MHz Cellular External Antenna



### Specifications

Electrical	
Frequency Range	824~894 MHz 1710~2170 MHz
Polarization	Linear
Gain	2 dBi
V.S.W.R	< 2.5
Impedance	50Ω
Connector	SMA Male
Environmental	
Operating Temperature	-40°C~+85°C
Vibration	10 ~ 55Hz with 1.5mm Amplitude 2 Hours
RoHS Compliant	Yes

### Dimensions



UNIT : mm

# NANE18X42WRJC0R880G2MF

824 & 1710 MHz Cellular External Antenna



## Radiation Patterns

