

# NANE13X198WTJC0R824G2MF

698 & 1710 MHz LTE External Antenna



## Description

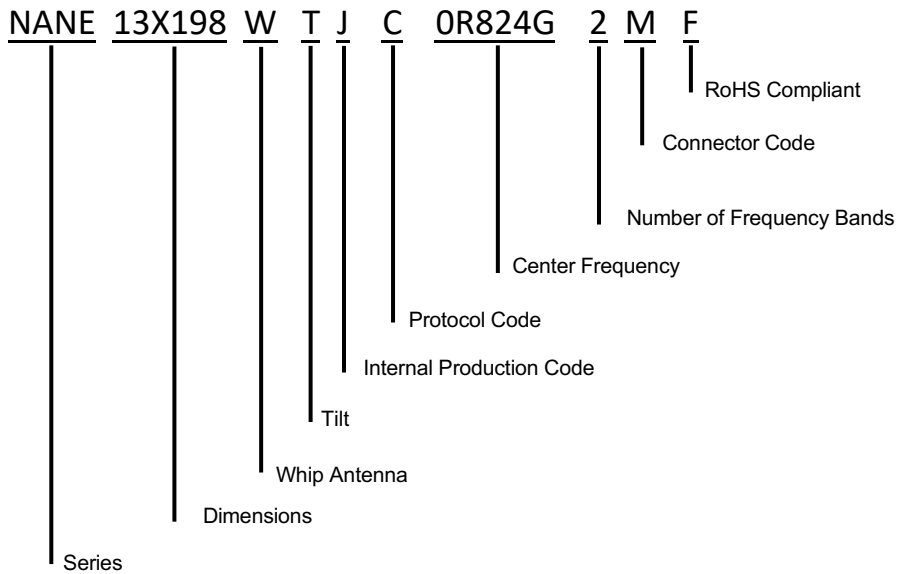
The NANE13X198WTJC0R824G2MF is an External Whip antenna designed for LTE applications. It operates within the frequency ranges of 698~960 MHz & 1710~2655 MHz making it perfect for Routers, Meters and Gateways.



## Features

- 698 & 1710 MHz LTE Protocols
- Up to 90° flexibility
- RoHs Complaint

## Part Number Breakdown



# NANE13X198WTJC0R824G2MF

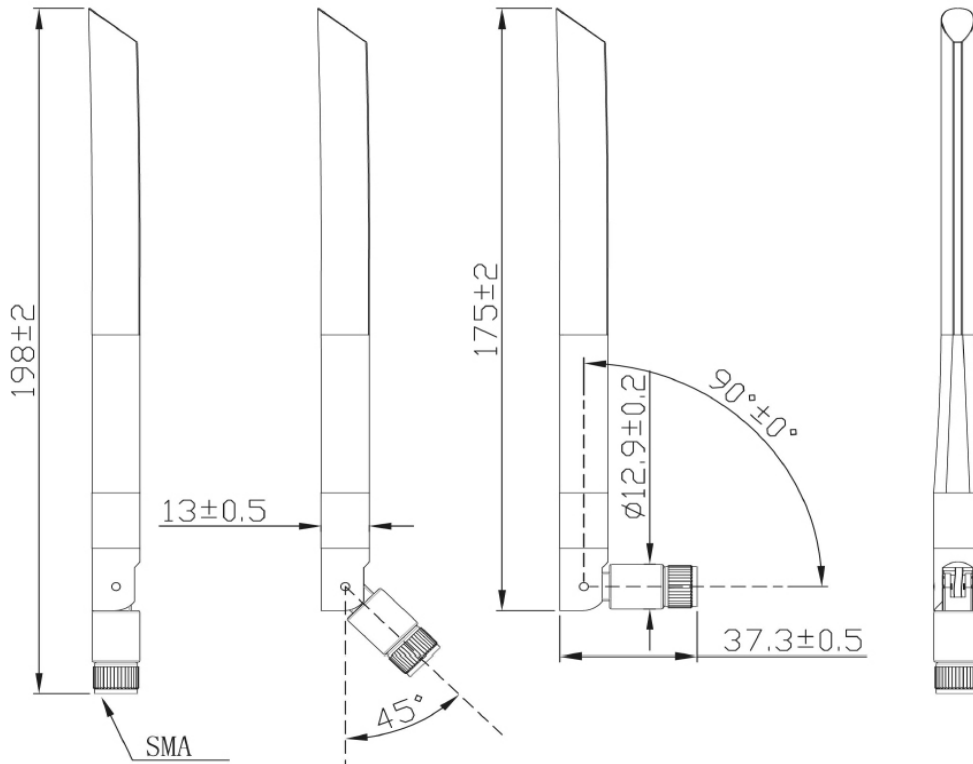
698 & 1710 MHz LTE External Antenna



## Specifications

Electrical	
Frequency Range	698~960 MHz 1710~2655 MHz
Polarization	Linear
Gain	3dBi
V.S.W.R	<3.0
Impedance	50Ω
Environmental	
Operating Temperature	-20°C~+65°C
Vibration	10 ~ 55Hz with 1.5mm Amplitude 2 Hours
RoHS Compliant	Yes

## Dimensions



Performance Passives By Design

NIC Components Corp.  
100 Baylis Road. Melville, NY 11747

Page 2  
www.niccomp.com

Last Updated 12/13/23. Specification subject to change without notice. Please check web site or contact NIC for latest information

# NANE13X198WTJC0R824G2MF

698 & 1710 MHz LTE External Antenna



## Patterns

