

NANE13X190WTJW1CF

2.4 GHz WIFI External Antenna



Description

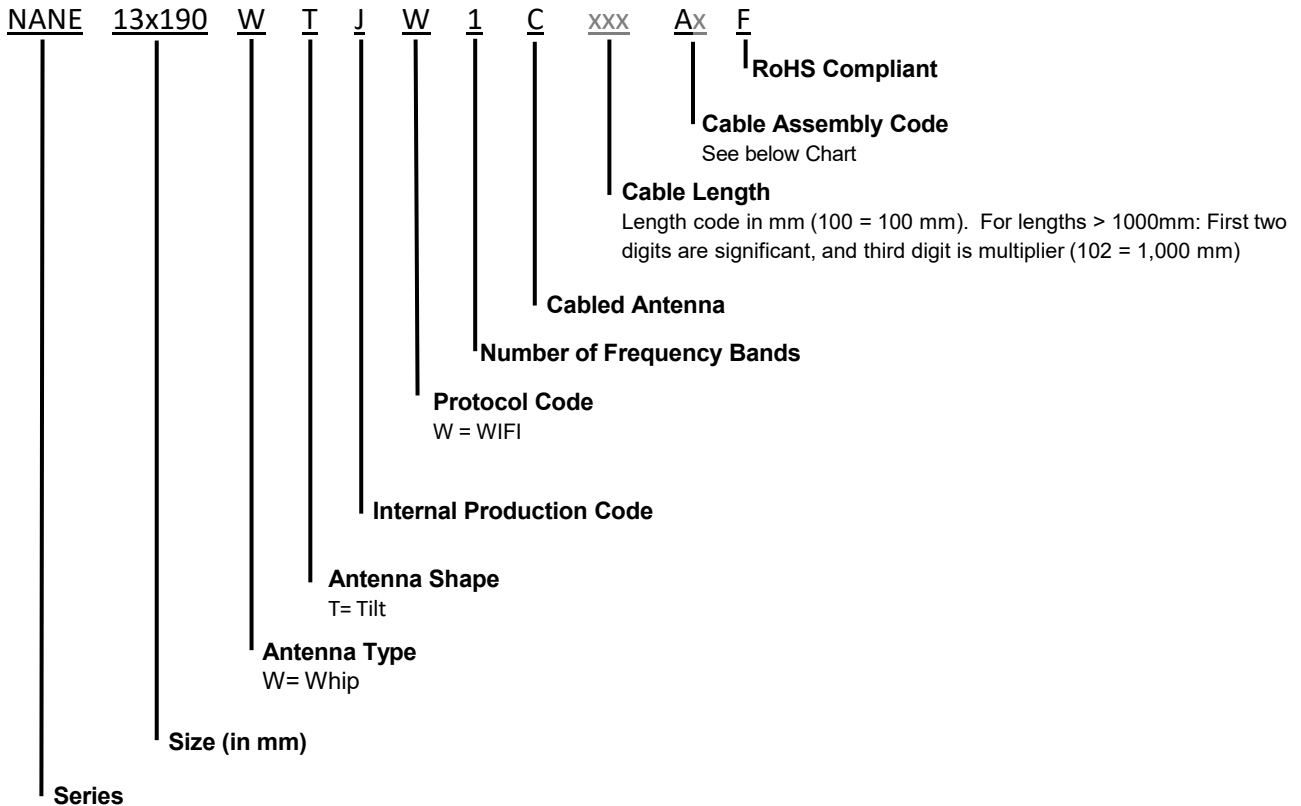
The NANE13X190WTJW1CF is the base part number for an External Whip antenna designed for WIFI applications. It operates within the frequency ranges of 2400 ~ 2483.5 MHz making it perfect for Routers, Gateways and Meters



Features

- WIFI 2.4 GHz Band
- 90° Angle
- Customizable Cable and Connector
- RoHs Compliant

Part Number Breakdown



NANE13X190WTJW1CF

2.4 GHz WIFI External Antenna



Part Number Options

Part Number	Protocol	Connector	Cable Type	Cable Length
NANE13X190WTJW1C100A0F	WIFI	IPEX I	RG178	100 mm
NANE13X190WTJW1C100A1F	WIFI	SMA Female	RG178	100 mm
NANE13X190WTJW1C200A0F	WIFI	IPEX I	RG178	200 mm

The table represents assembled part numbers available on www.niccomp.com. For options not listed above please contact NIC

Specifications

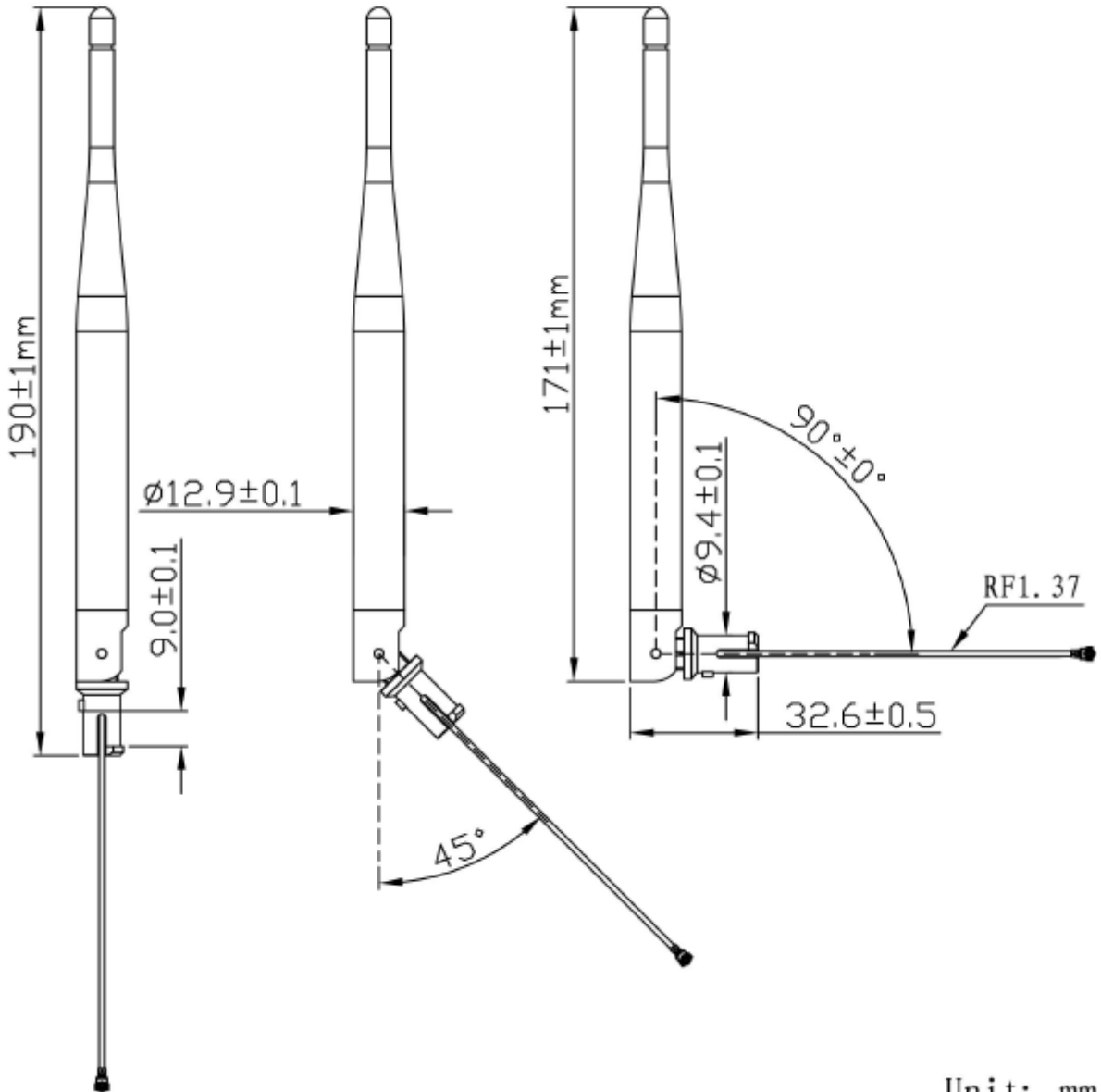
Electrical	
Frequency Range	2400 ~ 2483.5 MHz
Bandwidth	83.5 MHz
Gain	5 dBi
V.S.W.R	< 2.0
Polarization	Linear
Impedance	50Ω
Mounting Method	Knuckle
Environmental	
Operating Temperature -	-40°C~+65°C
Vibration	10 to 55Hz with 1.5mm amplitude 2hours
RoHs Compliant	Yes

NANE13X190WTJW1CF

2.4 GHz WIFI External Antenna



Dimension Drawing





Radiation Patterns

