

NANE12X195WTJS0R915G1F

915 MHz ISM Whip External Antenna



Description

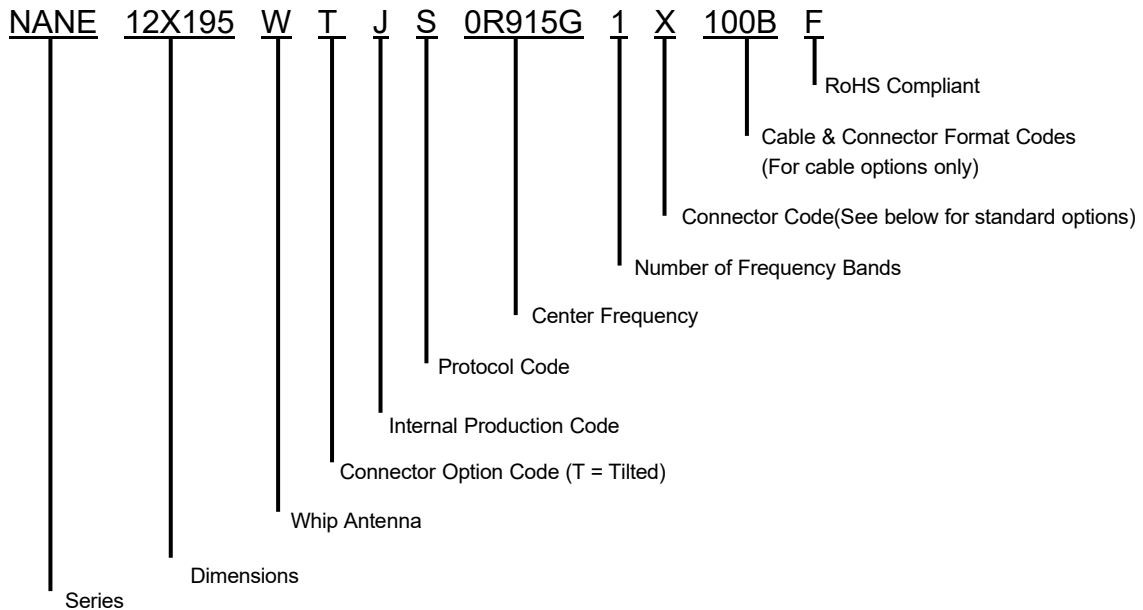
The NANE12X195WTJS0R915G1F is an External Whip antenna designed for ISM / LoRa applications. It operates within the frequency ranges of 915 MHz making it perfect for Smart meters, remote monitoring, and industrial IoT



Features

- ISM / LoRa 915 MHz protocol
- Up to 90° Flexibility
- RoHS Compliant

Part Number Breakdown



Part Number Options

Part Number	Protocol	Connector (Code)	Cable Type	Cable Length
NANE12X195WTJS0R915G1MF	ISM	SMA MALE (M)	-	-
NANE12X195WTJS0R915G1X100BF	ISM	IPEX (X)	RF1.37(B)	100 mm

The table represents assembled part numbers available on www.niccomp.com. For options not listed above please contact NIC

NANE12X195WTJS0R915G1F

915 MHz ISM Whip External Antenna



Specifications

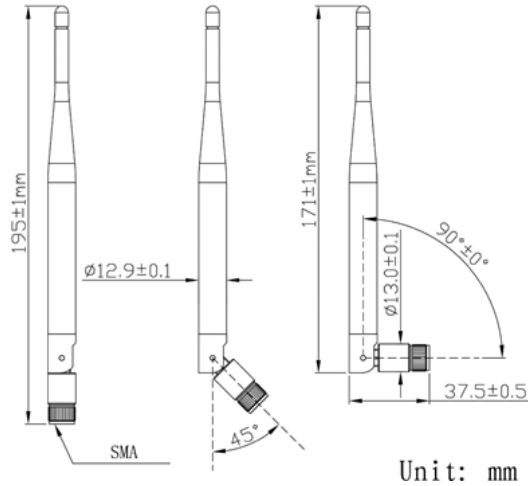
Electrical	
Frequency Range	915 MHz
Bandwidth	CF \pm 8 MHz
Gain	3 dBi
VSWR	< 2.0
Polarization	Linear
Impedance	50 Ω
Environmental	
Operating Temperature	-40°C~+85°C
Vibration	10 ~ 55Hz with 1.5mm amplitude 2hours
ROHS Compliant	Yes

NANE12X195WTJS0R915G1F

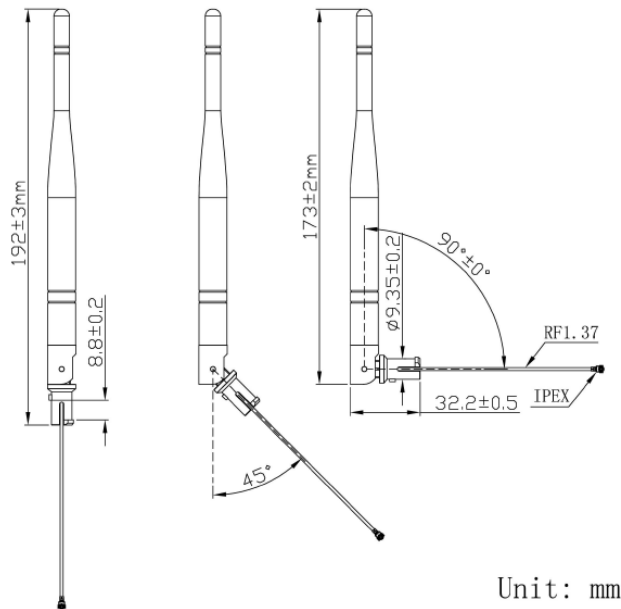
915 MHz ISM Whip External Antenna



Dimensions



NANE12X195WTJS0R915G1MF Dimensions



NANE12X195WTJS0R915G1X100BF Dimensions

NANE12X195WTJS0R915G1F

915 MHz ISM Whip External Antenna



Radiation Patterns

