

# NANE10X53WSJS433M1MF

## 433 MHz ISM Whip External Antenna



### Description

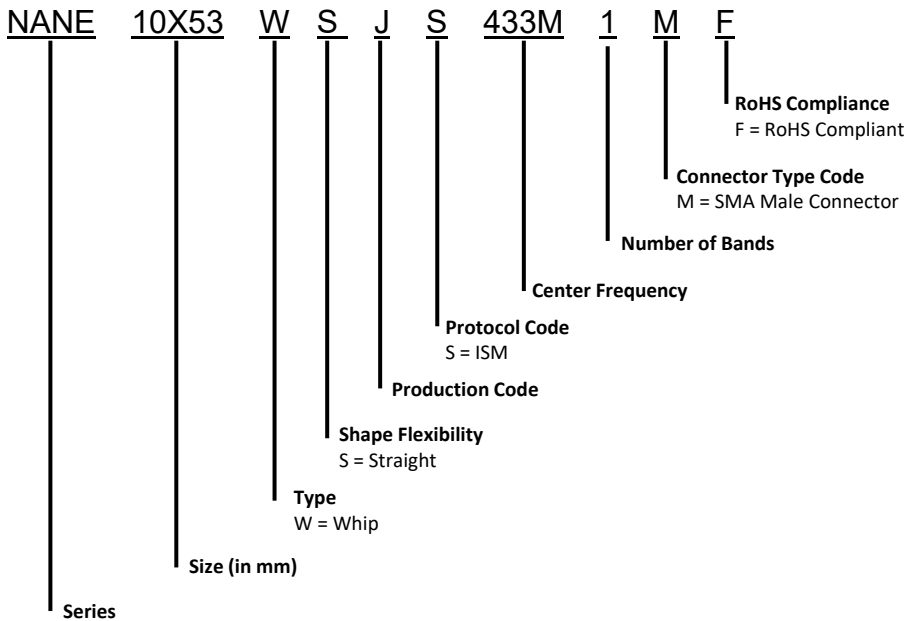
The NANE10X53WSJS433M1MF is an External Whip antenna designed for ISM / LoRa applications. It operates within the frequency ranges of 433 MHz making it perfect for Smart meters, remote monitoring, and industrial IoT



### Features

- ISM / LoRa 433 MHz protocol
- RoHS Compliant

### Part Number Breakdown



# NANE10X53WSJS433M1MF

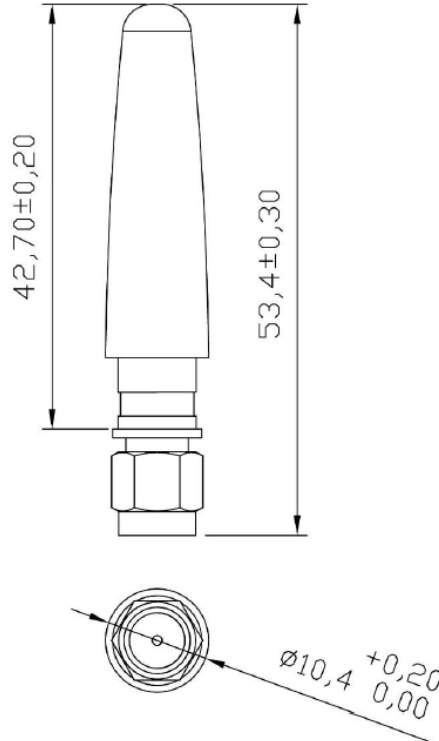
## 433 MHz ISM Whip External Antenna



### Specifications

Electrical	
Frequency Range	433 MHz
Bandwidth	CF $\pm$ 5MHz
Gain	2 dBi
V.S.W.R	< 2
Polarization	Linear
Impedance	50 $\Omega$
Environmental	
Operating Temperature	-40°C~+85°C
Vibration	10 to 55Hz with 1.5mm amplitude 2hours
ROHS Compliant	Yes

### Dimensions



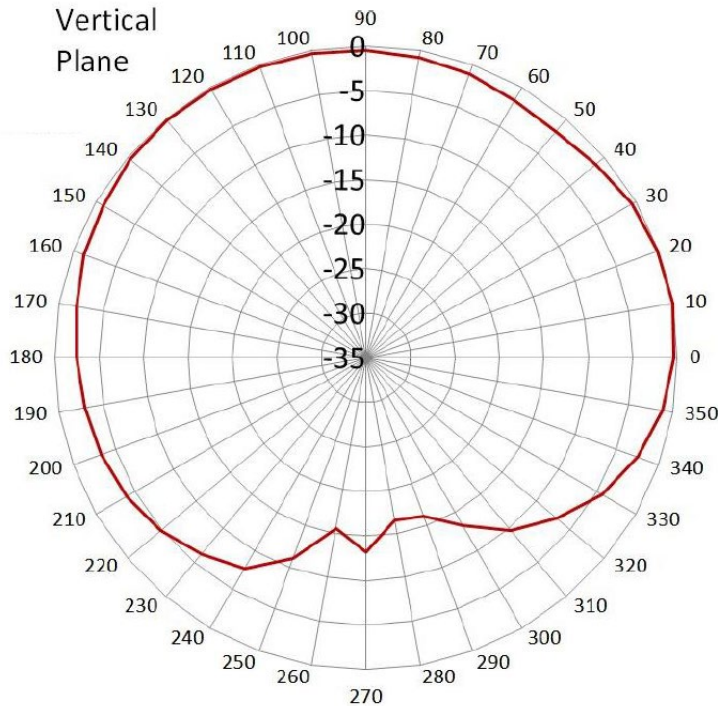
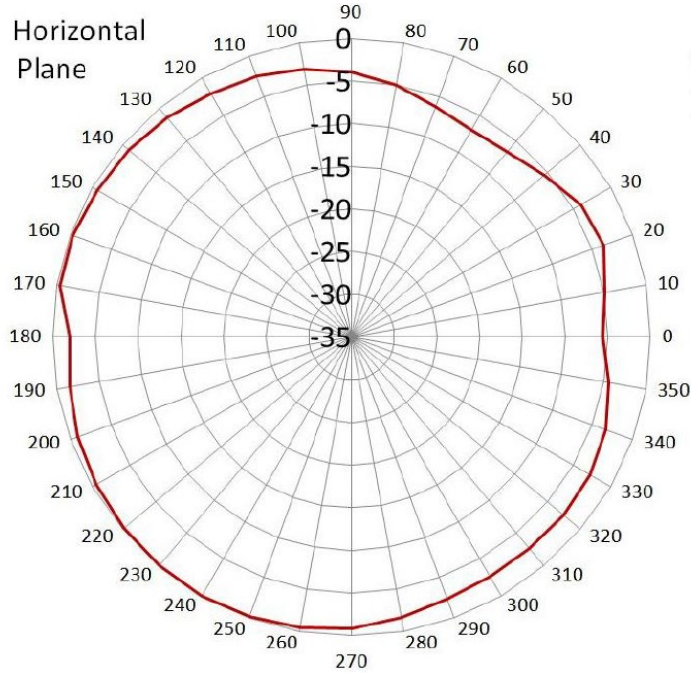
Unit: MM

# NANE10X53WSJS433M1MF

## 433 MHz ISM Whip External Antenna



### Radiation Patterns



Performance Passives By Design

NIC Components Corp.  
100 Baylis Road. Melville, NY 11747

Page 3  
www.niccomp.com

Last Updated 2/21/2024. Specification subject to change without notice. Please check web site or contact NIC for latest information