

NANE10X117WTJS0R450G1MF

450 MHz ISM/LoRa External Antenna



Description

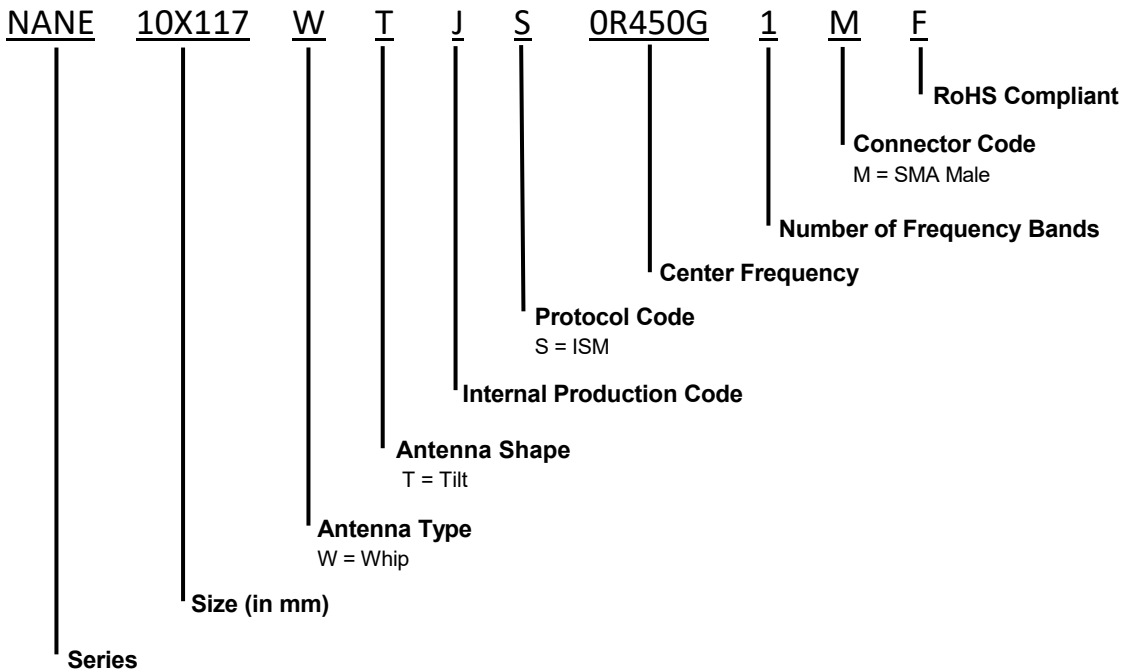
NANE10X117WTJS0R450G1MF is an External Whip antenna designed for ISM/LoRa applications. It operates within the frequency ranges of 450 MHz making it perfect for Meters, Routers and Gateways.

Features

- Supports ISM Band 450MHz
- Up to 90° flexibility
- RoHS Compliant



Part Number Breakdown



Part Numbers Options

Part Number	Protocol	Connector
NANE10X117WTJS0R450G1MF	ISM	SMA Male

The table represents assembled part numbers available on www.niccomp.com. For options not listed above please contact NIC

NANE10X117WTJS0R450G1MF

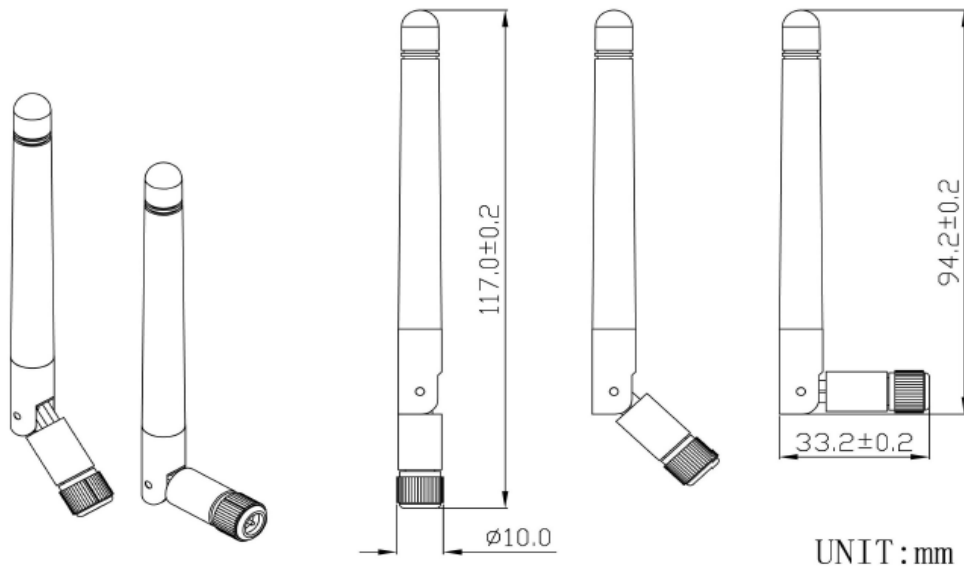
450 MHz ISM/LoRa External Antenna



Specifications

Electrical	
Frequency Range	450 MHz
Bandwidth	CF \pm 5 MHz
Gain	2 dBi
V.S.W.R	< 2.5
Polarization	Linear
Impedance	50 Ω
Environmental	
Operating Temperature -	-40°C~+85°C
Frequency Temperature Coefficient	10 ~ 55 Hz with 1.5 mm Amplitude 2 hrs
RoHS Compliant	Yes

Dimensions



NANE10X117WTJS0R450G1MF

450 MHz ISM/LoRa External Antenna



RADIATION PATTERNS

