



**NIC COMPONENTS CORP.**

70 Maxess Road • Melville, New York 11747  
(631) 396-7500 • Fax (631) 396-7575

## LAND PATTERN COMPARISON

**PRODUCTS: SMT ALUMINUM & TANTALUM ELECTROLYTIC CAPACITORS**

**SERIES: NACxx & NTC-T**

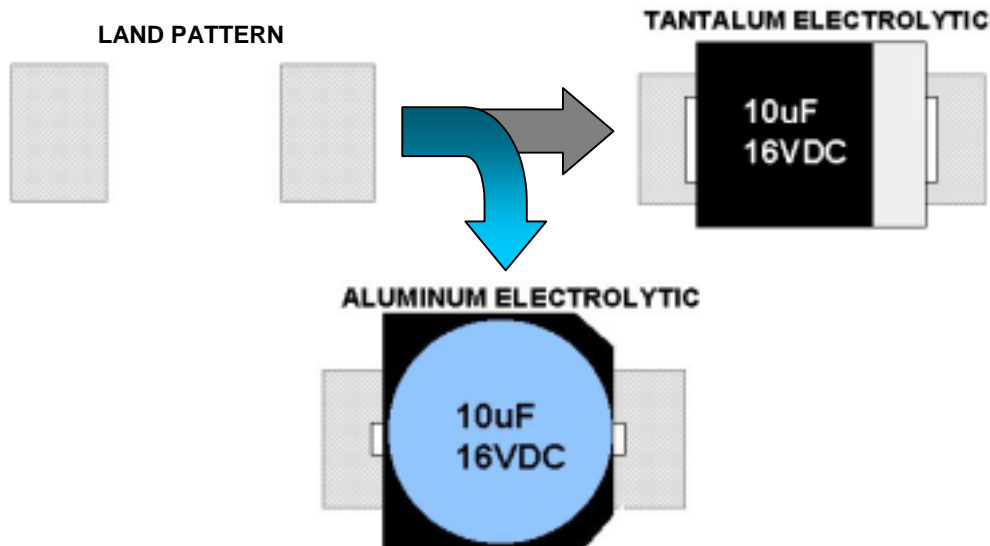
**SUB: TANTALUM CASE SIZE AS COMPARED TO SIMILAR SMT ALUMINUM ELECTROLYTIC CAPACITOR DIAMETERS**

**PAGE 2..... B (3528) SIZE COMPARED TO 4mm / 5mm / 6.3mm**

**PAGE 3..... C (6032) SIZE COMPARED TO 4mm / 5mm / 6.3mm**

**PAGE 4..... D1 (5846) SIZE COMPARED TO 5mm / 6.3mm / 8mm**

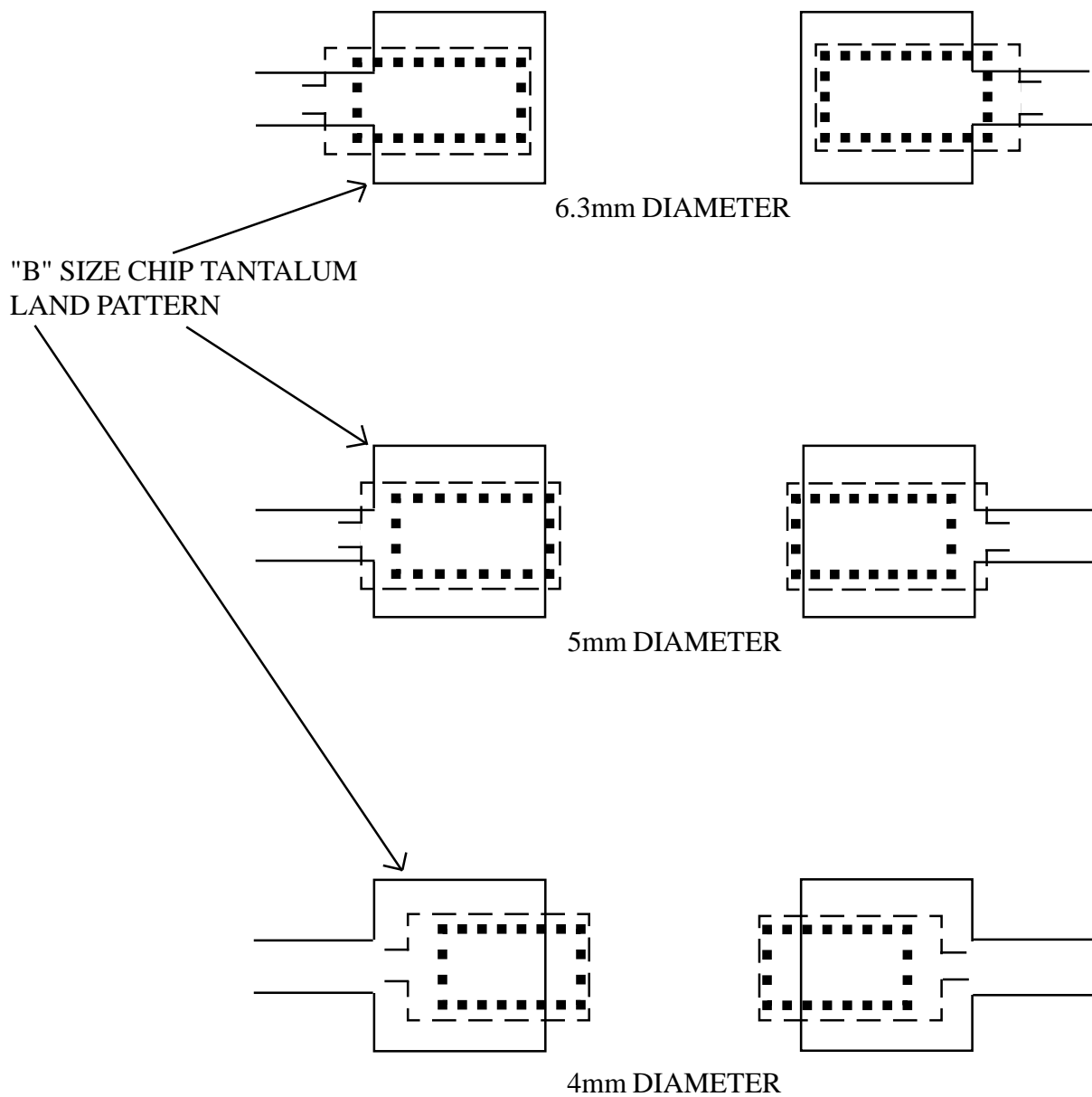
**PAGE 5..... D / E (7343) SIZE COMPARED TO 5mm / 6.3mm / 8mm**



ISO 9002 REGISTERED

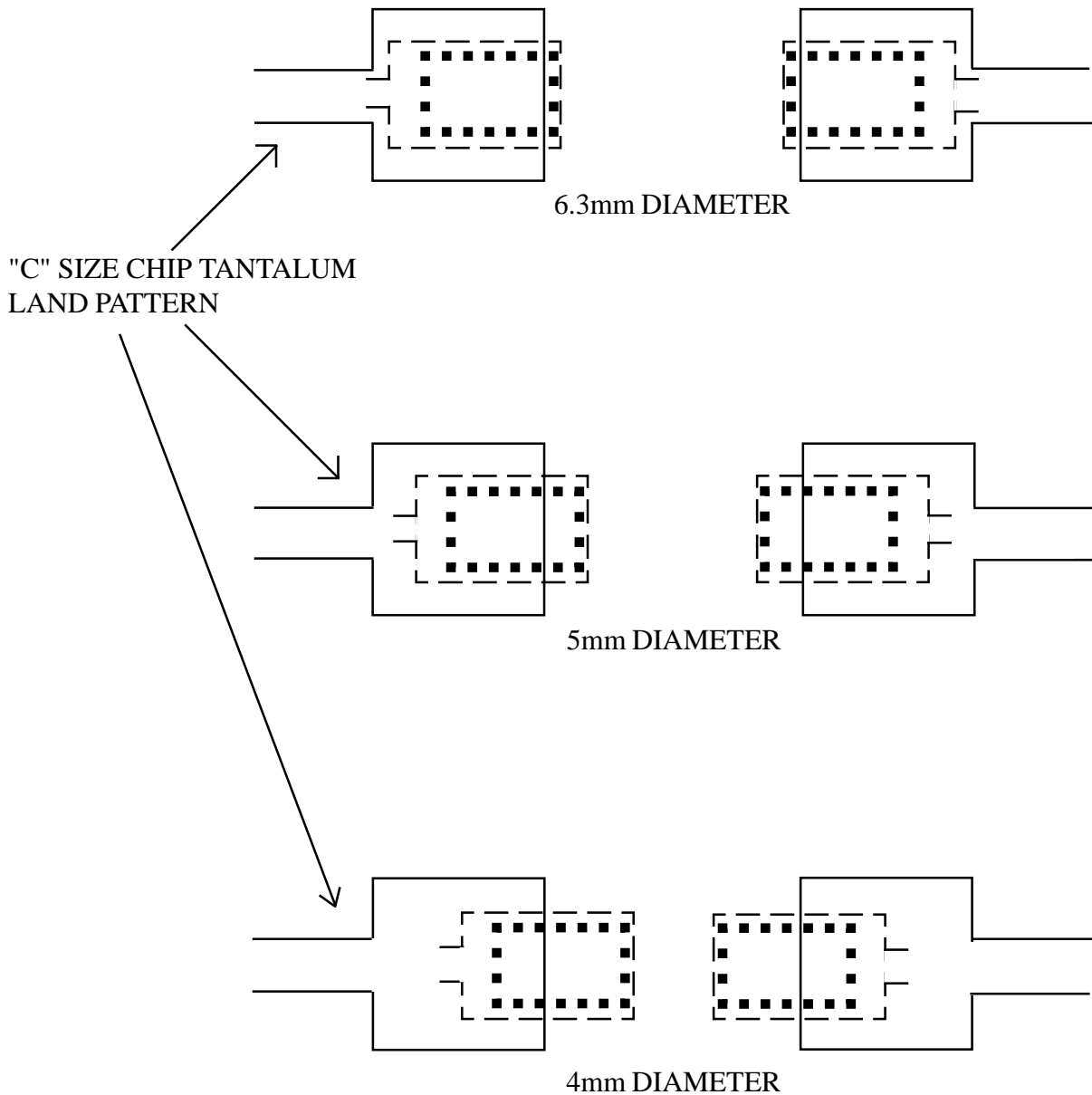


**LAND PATTERN COMPARISON WHEN REPLACING "B" SIZE  
TANTALUM CHIP CAPACITORS WITH SURFACE MOUNT  
ALUMINUM ELECTROLYTIC CAPACITORS  
(6.3, 5 AND 4mm DIAMETERS)**



— — — — Aluminum Electrolytic Land Pattern  
■ ■ ■ ■ ■ Aluminum Electrolytic Lead Outline

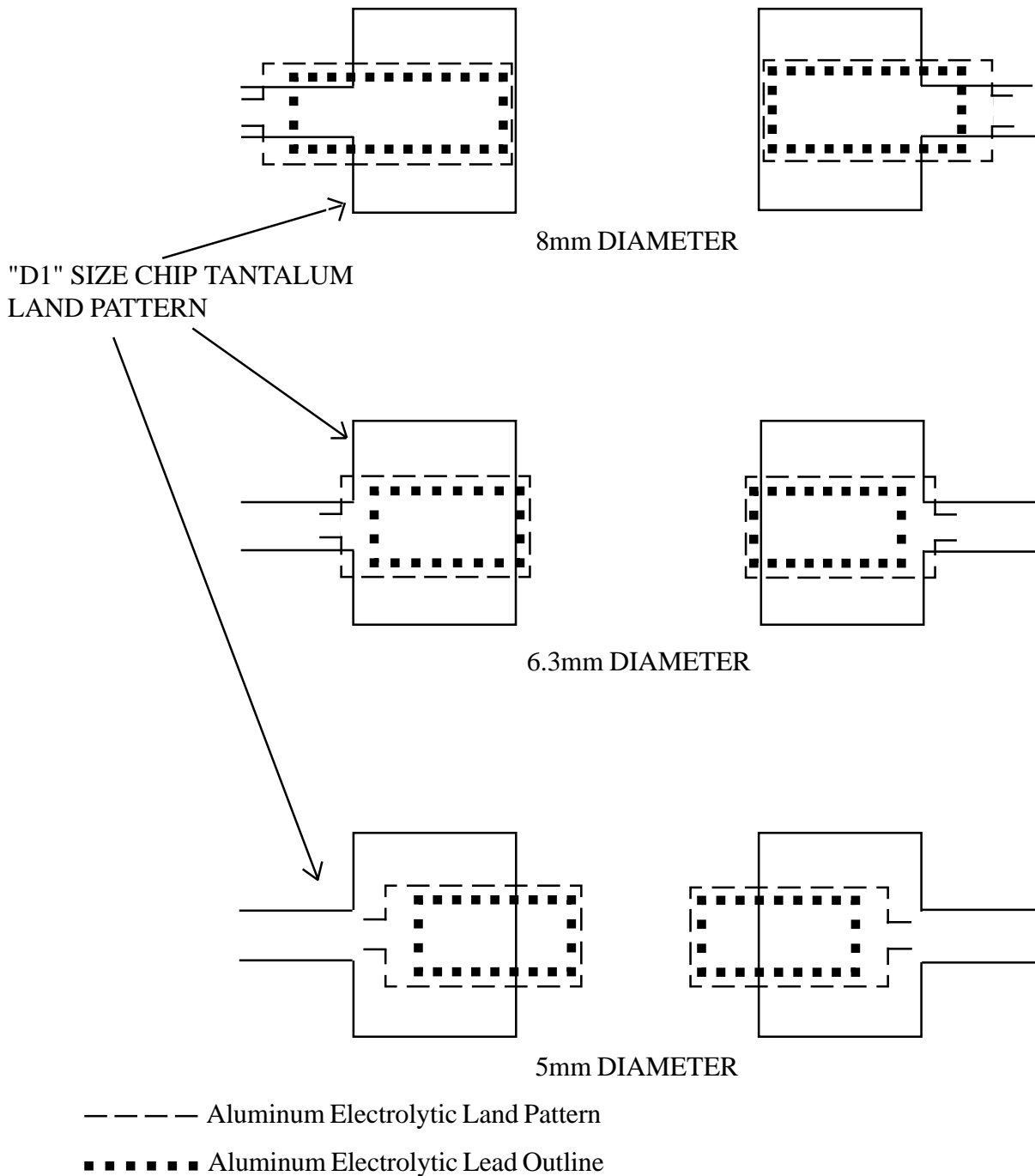
**LAND PATTERN COMPARISON WHEN REPLACING "C" SIZE  
 TANTALUM CHIP CAPACITORS WITH SURFACE MOUNT  
 ALUMINUM ELECTROLYTIC CAPACITORS  
 (6.3, 5 AND 4mm DIAMETERS)**



— — — — Aluminum Electrolytic Land Pattern  
 ■ ■ ■ ■ ■ Aluminum Electrolytic Lead Outline

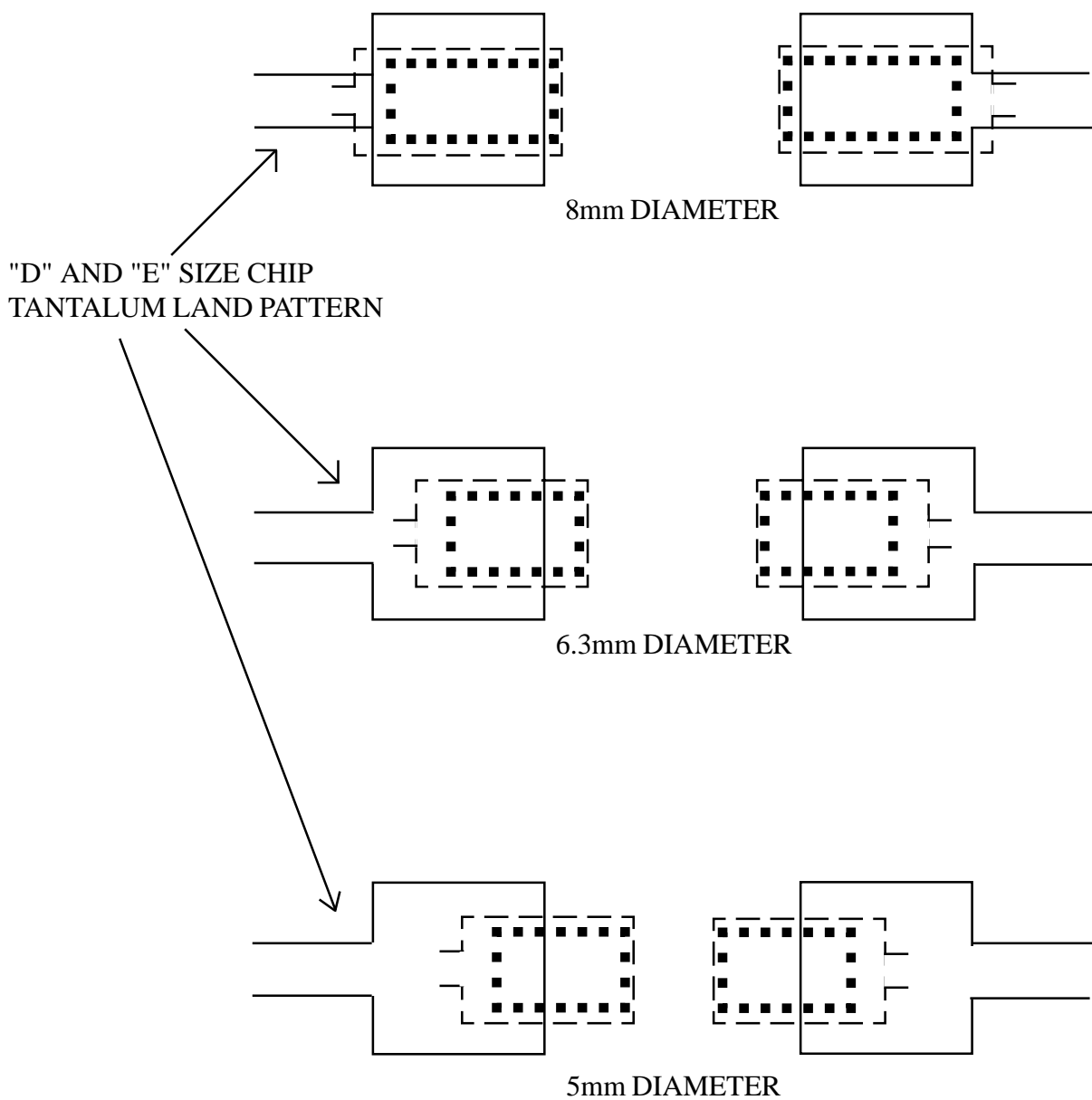


**LAND PATTERN COMPARISON WHEN REPLACING "D1" SIZE (5845)  
TANTALUM CHIP CAPACITORS WITH SURFACE MOUNT  
ALUMINUM ELECTROLYTIC CAPACITORS  
(8mm, 6.3mm and 5mm DIAMETERS)**





**LAND PATTERN COMPARISON WHEN REPLACING "D" AND "E"  
SIZE TANTALUM CHIP CAPACITORS WITH SURFACE MOUNT  
ALUMINUM ELECTROLYTIC CAPACITORS  
(8, 6.3 AND 5mm DIAMETERS)**



— — — — Aluminum Electrolytic Land Pattern

■ ■ ■ ■ ■ Aluminum Electrolytic Lead Outline