

REEL DIMENSIONS (mm)

| Reel Diameter (A) | B | C | D | T max. |
|-------------------|----------|-----------|----------|---|
| 7" (178 ± 2.0) | 13 ± 0.5 | 50 min. | 21 ± 1.0 | 8.4 +1.0/-0 (1812 case size 12.4 +2.0/-0) |
| 10" (250 ± 2.0) | | 100 ± 1.0 | | |
| 13" (330 ± 2.0) | | 100 ± 1.0 | | |

7 INCH REEL QUANTITIES*

| Size | 0201 | 0402 | 0603 | 0805 | 1206 | 1210 | 1812 |
|-------------------|--------|--------|-------|-------|-------|-------|-------|
| Tape Size | 8mm | 8mm | 8mm | 8mm | 8mm | 8mm | 12mm |
| Min. Qty Per Reel | 20,000 | 10,000 | 4,000 | 4,000 | 4,000 | 2,000 | 1,000 |
| Max. Qty Per Reel | 20,000 | 10,000 | 4,000 | 5,000 | 5,000 | 5,000 | 2,000 |

*Quantity dependent on chip thickness. Contact NIC for reel quantities on larger diameter reels.

CARRIER TAPE MATERIAL

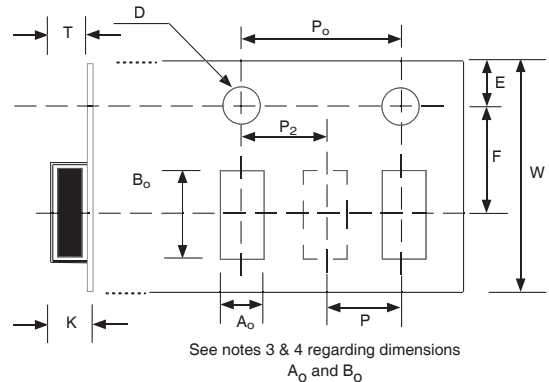
Parts with a thickness of ≥1mm will be taped on embossed plastic carrier. Parts with a thickness of less than 1mm will be taped on paper carrier

EMBOSSED PLASTIC CARRIER TAPE DIMENSIONS (mm)

| Tape Size | W | F | E | P ₀ | P ₂ | D | K max. | T max. | P |
|-----------|-----------|------------|-------------|----------------|----------------|-------------------------------------|--------|--------|-----------|
| 8mm | 8.0 ± 0.2 | 3.5 ± 0.05 | 1.75 ± 0.10 | 4.0 ± 0.1 | 2.0 ± 0.5 | 1.5 ^{+0.1} _{-0.0} | 0.3 | 2.0 | 4.0 ± 0.1 |
| 12mm | 12 ± 0.2 | 5.5 ± 0.05 | | | | | | 4.5 | 8.0 ± 0.1 |

- Notes: 1. Specifications are in compliance with EIA RS481-1-A
 "Taping of surface Mount Components for Automatic Placement"
 2. Dimensions A₀ (max.) equals component width dimension plus 0.5mm
 3. Dimension B₀ (max.) equals component length dimension plus 0.5mm

EMBOSSED PLASTIC CARRIER TAPE



CARDBOARD CARRIER TAPE DIMENSIONS (mm)

| Type | A ₀ | B ₀ | W | F | E | P1 | P2 | P0 | D0 | T1 | T2 | Mounting Hole |
|------|----------------|----------------|-----------|-----------|------------|------------|------------|------------|--------------------------|----------|----------|--------------------|
| 0201 | 0.37 ± 0.03 | 0.67 ± 0.05 | 8.0 ± 0.3 | 3.5 ± 0.5 | 1.75 ± 0.1 | 2.0 ± 0.05 | - | 4.0 ± 0.1 | 1.5 ^{+0.1/-0.0} | - | 0.8 max. | Angular Punch Hole |
| 0402 | 0.65 ± 0.05 | 1.15 ± 0.05 | | | | 4.0 ± 0.1 | 2.0 ± 0.5 | 4.0 ± 0.05 | | 1.1 max. | | |
| 0603 | 1.1 ± 0.2 | 1.9 ± 0.2 | | | | 2.0 ± 0.5 | 4.0 ± 0.05 | 1.1 max. | | 1.4 max. | | |
| 0805 | 1.65 ± 0.2 | 2.4 ± 0.2 | | | | 4.0 ± 0.1 | 2.0 ± 0.5 | 4.0 ± 0.05 | | 1.4 max. | | |
| 1206 | 2.0 ± 0.2 | 3.6 ± 0.2 | | | | | | | | | | |

CARDBOARD CARRIER TAPE

