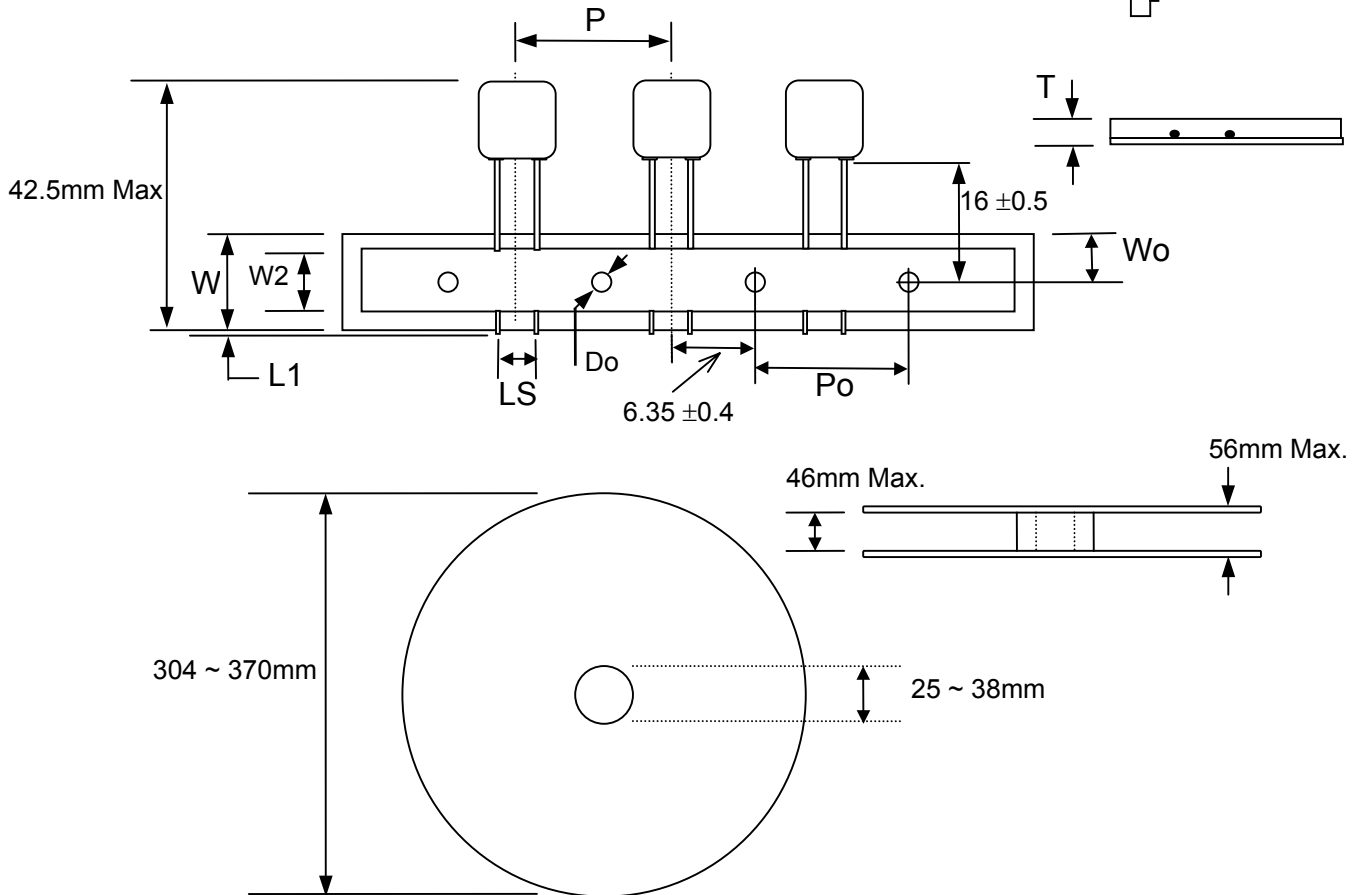
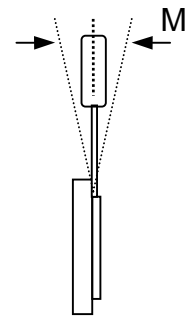


TAPE SPECIFICATIONS

NCM SERIES RADIAL LEADED MLC CERAMIC CAPACITORS

DIMENSION (mm)

- | | |
|----------------------------------|---|
| 1. Component Pitch (P): | 12.7 ±1.0 |
| 2. Lead Spacing (LS): | 2.54 +.79/-0.20 or 5.0 +.79/-0.20 |
| 3. Carrier Tape Width (W): | 18.0 +1.0/-0.5 |
| 4. Hold-Down Tape Width (W2): | 12.5 +3.0/-0 |
| 5. Sprocket Hole Pitch (Po): | 12.7 ±0.3 |
| 6. Sprocket Hole Diameter (Do): | 4.0 ±0.2 |
| 7. Sprocket Hole Position (Wo): | 9.0 +0.75/-0.5 |
| 8. Lead Protrusion (L1): | 1.0 Max. |
| 9. Composite Tape Thickness (T): | 0.9 Max. |
| 10. Component Misalignment (M): | 1.0 Max. |



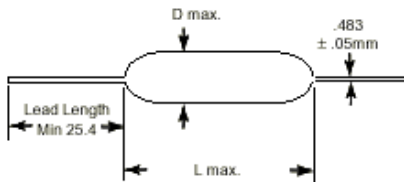
TAPE SPECIFICATIONS

NCMA SERIES

AXIAL LEADED MLC CERAMIC CAPACITORS

DIMENSIONS (mm)

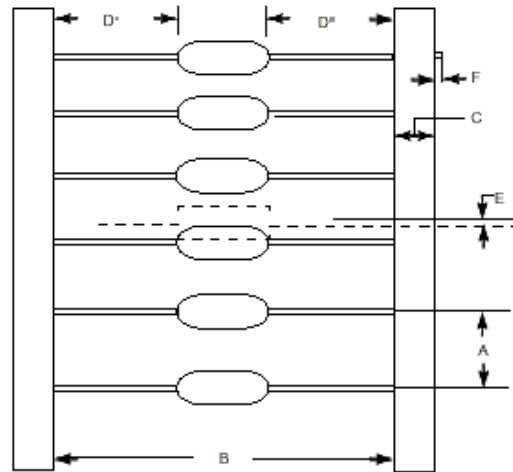
Type	D Diameter	L Length
NCMA 10	2.54	4.32
NCMA 11	3.5	4.32
NCMA 20	2.54	6.6
NCMA 30	3.81	7.37
NCMA 40	3.81	10.16



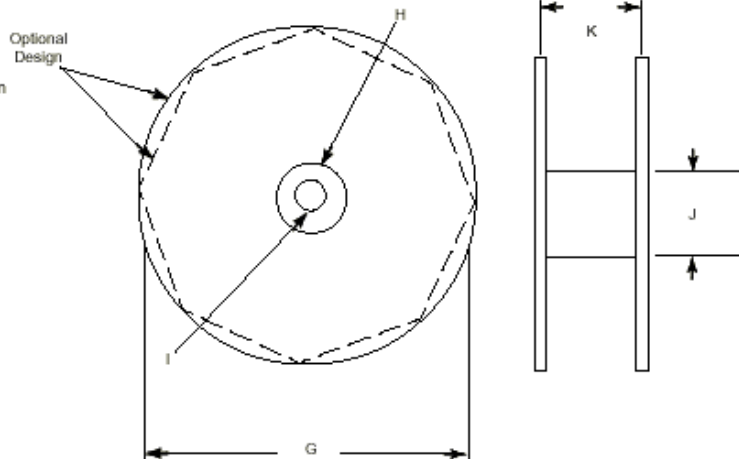
**TAPE AND REEL
CLASS 1
RS-296**

A.	5mm ± 0.5mm
B*	52.4mm ± 1.5mm
C.	6.35mm ± 0.4mm
E.	1.2mm
F.	1.6mm
G.	356mm
H.	76mm
I.	25.4mm
J.	84mm
K.	70mm

*ALSO AVAILABLE IN 26.0mm ±0mm



LEADER TAPE: 300mm min.
SPLICING TAPE: Tape Only
MISSING PARTS: 0.25% of component count max.
 No consecutive missing parts



REEL QUANTITIES

NCMA 10	7500 pcs
NCMA 11	5000 pcs
NCMA 20	5000 pcs
NCMA 30	5000 pcs
NCMA 40	5000 pcs