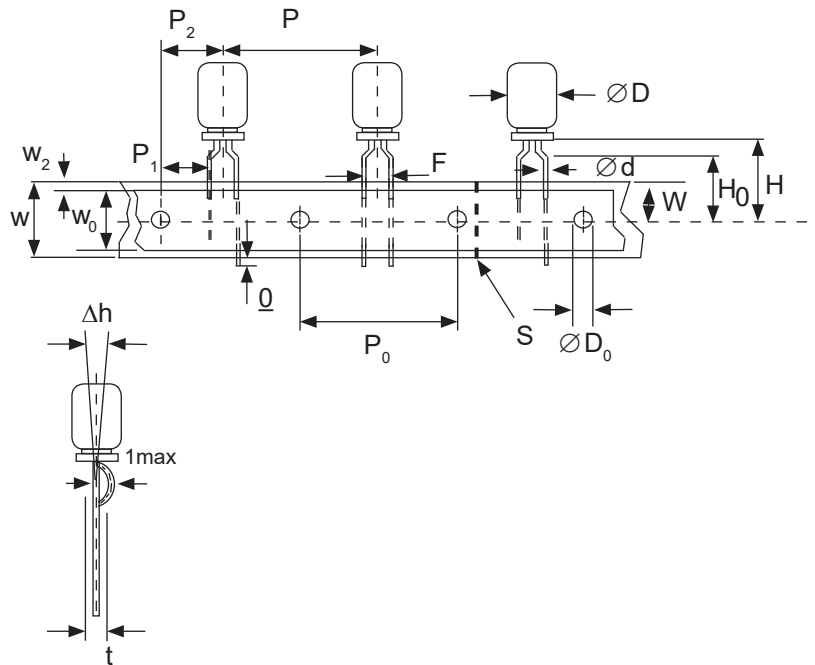


Miniature Aluminum Electrolytic Capacitors Taping Specifications

STANDARD RADIAL TAPING (5mm LEAD SPACING, FORMED LEADS) TB

Taping Dimensions (mm)

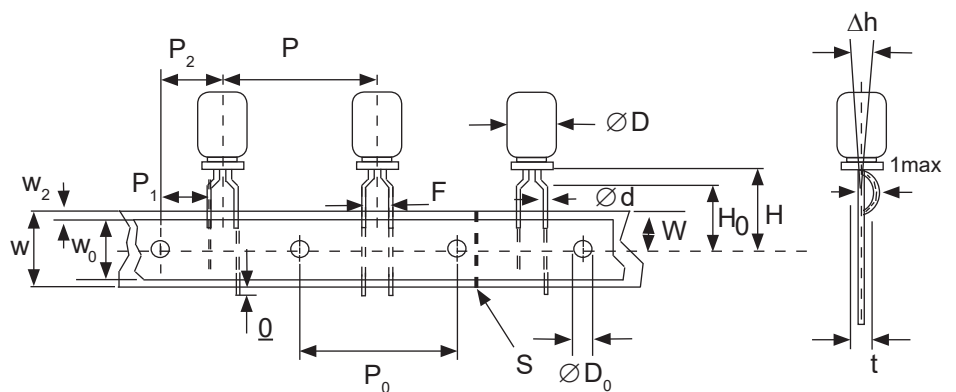
Case Dia. (D ϕ)	4	5	6.3	8
Case Size Dim.	4x7	5x7	6.3x5 6.3x7	6.3x11 8x11.5 ~ 20
d ϕ \pm 0.05	0.45	0.45	0.5	0.6
H \pm 0.75	17.5	17.5	18.5	20.0
F	5.0 -0.2 ~ +0.8			
P	12.7 \pm 1.0			
P ₀	12.7 \pm 0.2			
P ₁	3.85 \pm 0.5 (at end of tape)			
P ₂	6.35 \pm 1.0			
W	18.0 \pm 0.5			
W ₀	11.5 min.			
W ₁	9.0 \pm 0.5			
W ₂	0 ~ 2.5			
H ₀	16.0 \pm 0.5			
l	1.0 max.			
Q	1.0 max.			
D ₀ ϕ	4.0 \pm 0.2			
Δ h	0 \pm 1.0 (at top of can)			
t	0.7 \pm 0.2 (not including lead)			



SPECIAL RADIAL TAPING (2.5mm LEAD SPACING, FORMED LEADS) TBF1

Taping Dimensions (mm)

Case Dia. (D ϕ)	4	5	
Case Size Dim.	4x7	5x7	5x11
d ϕ \pm 0.05	0.45	0.45	0.5
H \pm 0.75	17.5	17.5	18.5
H ₀ \pm 0.5	16.0	16.0	16.0
F	2.5 -0.2 ~ +0.8		
P	12.7 \pm 1.0		
P ₀	12.7 \pm 0.2		
P ₁	5.1 \pm 0.5		
P ₂	6.35 \pm 1.0		
W	18.0 \pm 0.5		
W ₀	11.5 min.		
W ₁	9.0 \pm 0.5		
W ₂	0 ~ 1.5		
l	1.0 max.		
Q	1.0 max.		
D ₀ ϕ	4.0 \pm 0.2		
Δ h	0 \pm 1.0 (at top of can)		
t	0.7 \pm 0.2 (not including lead)		



Miniature Aluminum Electrolytic Capacitors Taping Specifications

STANDARD RADIAL TAPING (5mm LEAD SPACING, STRAIGHT LEADS) TB

Taping Dimensions (mm)

Case Dia. (D ϕ)	10	12.5	
Case Size	10x12.5~23	12.5x16~25	
Dim.			
d ϕ \pm 0.05	0.6	0.6	
H	18.5-0.5/+1.5	18.5-0.5/+0.75	18.5-0.5/+1.5
F	5.0 \pm 0.8	5.0 \pm 0.8	5.0 \pm 0.5
P	12.7 \pm 1.0	15.0 \pm 1.0	25.4 \pm 1.0
P ₀	12.7 \pm 0.2	15.0 \pm 0.2	12.7 \pm 0.2
P ₁	3.85 \pm 0.5	5.0 \pm 0.5	3.85 \pm 0.5
P ₂	6.35 \pm 1.0	7.5 \pm 1.0	6.35 \pm 1.0
W		18.0 \pm 0.5	
W ₀	5.0 min.	5.0 min.	11.5 min
W ₁		9.0 \pm 0.5	
W ₂		0 ~ 2.5	
Q		1.0 max.	
I		1.0 max.	
D ₀ ϕ		4.0 \pm 0.2	
Δ h		0 \pm 1.0 (at top of can)	
t	0.6 \pm 0.3 (not including lead)	0.6 \pm 0.3 (not including lead)	0.7 \pm 0.2 (not including lead)
Drawing	Figure 1	Figure 1 Contact NIC for Availability	Figure 2 Contact NIC for Availability

NOTE: ANODE (+) LEAD FEEDS OFF FIRST.
FOR OPTION OF NEGATIVE (-) LEAD FIRST,
SPECIFY "TBN".

Fig.1

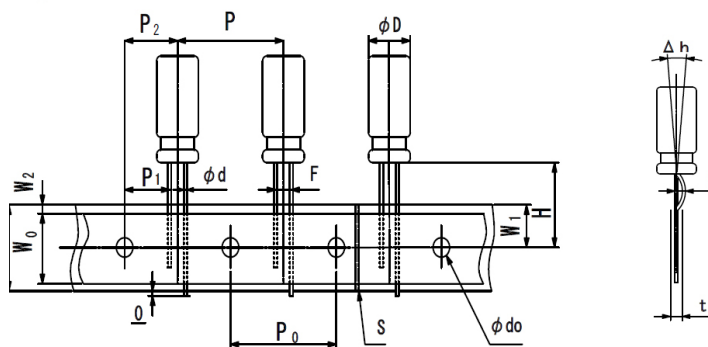
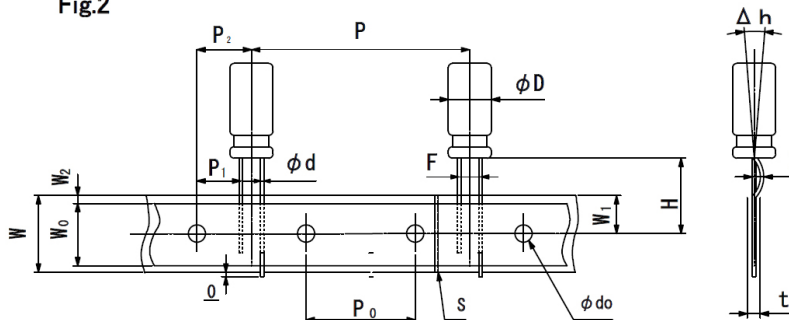


Fig.2

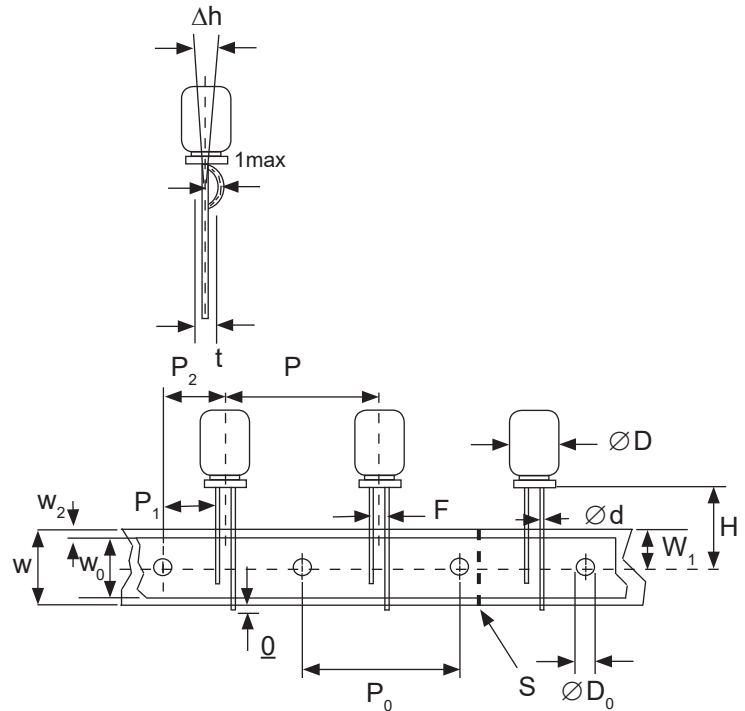


Miniature Aluminum Electrolytic Capacitors Taping Specifications

SPECIAL STRAIGHT LEAD TAPING TBST

Taping Dimensions (mm)

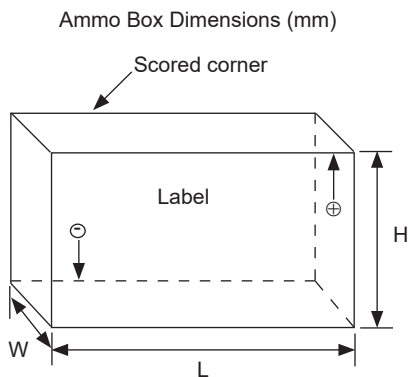
Case Dia. (D ϕ)	6.3		8
Case Size	6.3x5	6.3x11	8x11.5 ~ 20
Dim.	6.3x7		
d ϕ \pm 0.05	0.45	0.5	0.6
H \pm 0.75	17.5	18.5	20.0
F $+0.8 \sim -0.2$	2.5	2.5	3.5
P	12.7 \pm 1.0		
P ₀	12.7 \pm 0.2		
P ₁	5.1 \pm 0.5	5.1 \pm 0.5	4.6 \pm 0.5
P ₂	6.35 \pm 1.0		
W	18.0 \pm 0.5		
W ₀	11.5 min.		
W ₁	9.0 \pm 0.5		
W ₂	0 ~ 2.5		
l	1.0 max.		
Q	1.0 max.		
D ₀ ϕ	4.0 \pm 0.2		
Δ h	0 \pm 1.0 (at top of can)		
t	0.7 \pm 0.2 (not including lead)		



RADIAL TAPED PACKAGING

Ammo Box (Tape & Box) TB, TBF1 and TBST

Size of box and component quantity



Case Dia (D ϕ) or Case Size	Q'ty per Box (pcs)	Dim. L	Dim. H	Dim. W
4x7	2,000	331	175	43
5x7	2,000	331	220	43
5x11	2,000	340	255	55
6.3x5, 6.3x7	2,000	331	280	43
6.3x11	2,000	331	280	48
8x11.5 ~ 15	1,000	331	240	51
8x20	1,000	331	240	57
10x12.5*	500	331	180	50
10x16 ~ 23*	500	331	180	57
12.5x16, 12.5x20*	500	333	280	55
12.5x25*	500	333	280	60

*Special Taping Consult Factory For Availability