



NIC COMPONENTS CORP.

www.niccomp.com

technical support: tpmg@niccomp.com

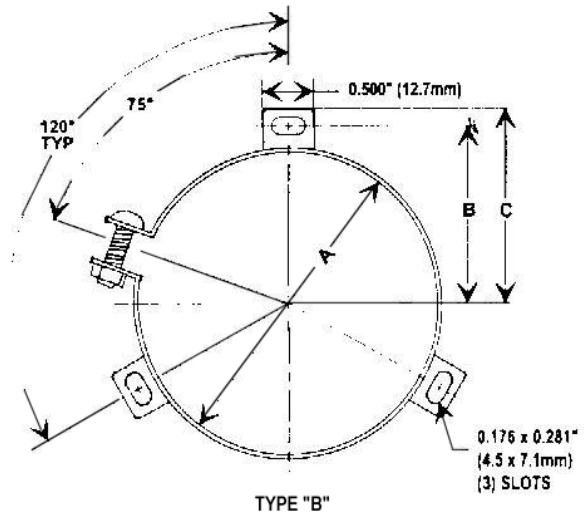
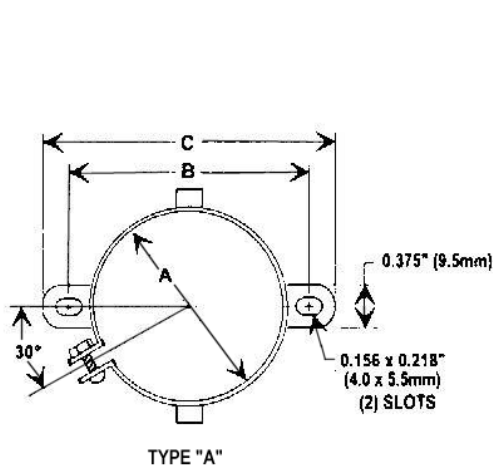
9/19/03

MOUNTING HARDWARE

NIC P/N: NSTE-XXBRACKET

MOUNTING BRACKET FOR SCREW TERMINAL
LARGE CAN ALUMINUM ELECTROLYTIC CAPACITOR

NIC P/N	TYPE	DIA. (A)	B	C
NSTE-36BRACKET	A	35mm (1.375")	45.2mm (1.781")	54.1mm (2.129")
NSTE-51BRACKET	B	51mm (2.000")	31.8mm (1.250")	36.5mm (1.437")
NSTE-64BRACKET		64mm (2.500")	38.1mm (1.500")	42.9mm (1.690")
NSTE-77BRACKET		76mm (3.000")	44.5mm (1.750")	49.2mm (1.937")



MATERIAL: 20GA (0.95mm) ZINC PLATED STEEL

ISO 9002 REGISTERED