

PRODUCT PROFILE & CROSS-REFERENCE



Product Category: Magnetics; LAN Transformers

NLTN & NLTN-P series

SMT LAN Transformer Modules



NIC Components Corp. is pleased to announce the release of the NLTN series of **capacitive and inductive type** isolation transformer modules for ethernet applications. Supplied in 16, 24, and 48 pin SMT packages, the NLTN series meet IEEE802.3 standards, providing isolation and connection between the physical layer and RJ45 port for a wide range of ethernet applications.

NLTN series offers improved signal transmission, increased transmission distance, impedance matching, waveform repair, and signal clutter suppression as compared to discrete designs.

POE - Power over Ethernet (up to 15W) is also supported with the **NLTN-P** option.

The operating temperature range of the NLTN series covers -40°C to +85°C, and component packaging supports both tray or tape and reel for automated placement. NLTN series is RoHS and REACH compliant. Please contact NIC today to review your requirements.

Features:

- IEC 61000-4-5 10/700us 4KV (CM)
- IEC 61000-4-5 10/700us 1KV (DM)
- Small SMT Packages
- Wide Temperature: -40°C to +85°C

Circuit Applications:

- 10/100 Ethernet
- Single 1G Ethernet
- Single 2.5G Ethernet
- Single 10G Ethernet
- Dual 1G Ethernet

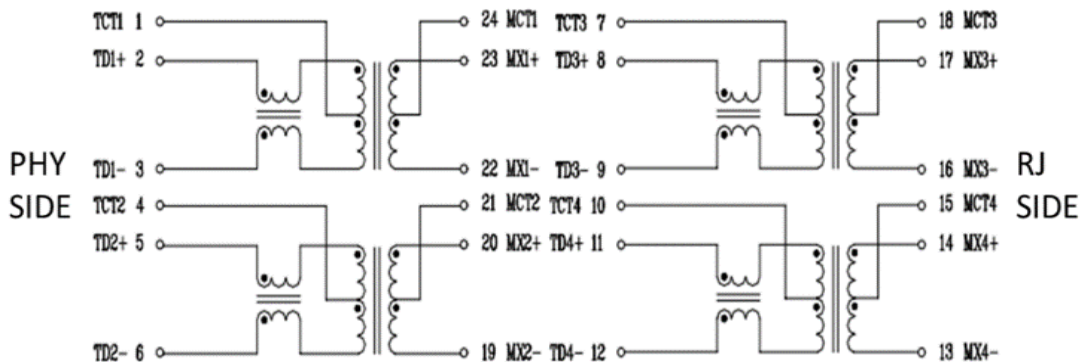
End-Use Applications:

- Gigabit ethernet equipment
- Network routers & switches
- ADSL & VDSL hardware
- I/IOT Industrial
- Set-top boxes



<http://www.niccomp.com/products/catalog/NLTN>

NLTN17LM24BXCNTRF - Schematic Example

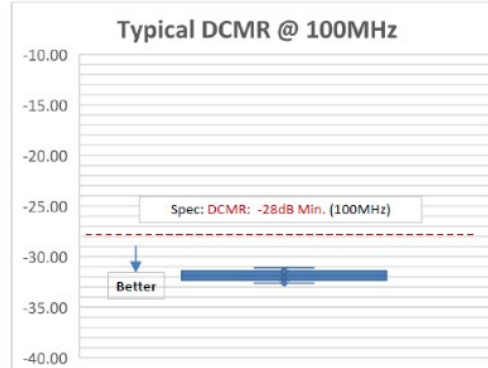
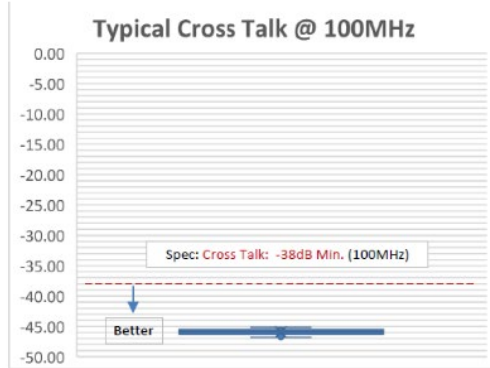
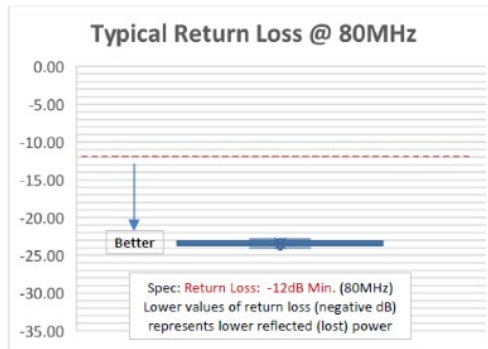
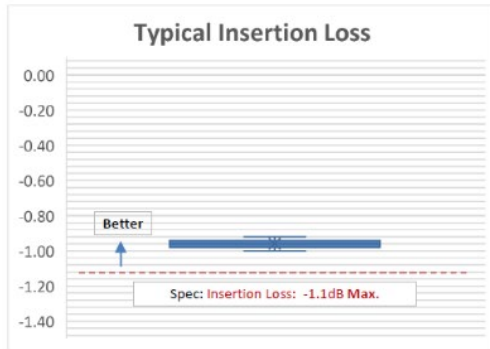


PRODUCT PROFILE & CROSS-REFERENCE



Typical Performance Characteristics

NIC PN: NLTN12CM16EDCNTRF



Cross-Reference:

NIC Components	BOTHHAND	Bourns	MNC	PULSE	SWAP
NLTN12CM16EDCNTRF	TS8121A HF	PT61017PEL	H1601AG	HX1188NL	NS601680
NLTN16CM24EDCNTRF	GST5009 LF	-	G2401CG	H5143NL	NS892407
NLTN17CM24EDCNTRF	24HSS1041R-2 HF	-	H2428CE	H5004ENL	NS602408
NLTN28LD148BXCNTRF	QGU4229R-APRV	-	-	-	-
NLTN16LS1024ASCSTRF	LT1TF222E3M	-	11L602-51A4-01	-	-

Co-Sell Products:

- NMC Series: MLCC Ceramic Capacitors: NMC-A COTS NMC
- Thick Film Chip Resistors: NRC NRC-A, NRC-PH, NRC-PS COTS NRC
- Ferrite Chip Beads EMI Suppression: NCB-A, NCB-HA COTS NCB, NCB-H



Technical Support: tpmg@niccomp.com