

# PRODUCT PROFILE & CROSS-REFERENCE



## Product Category:

Passives; Fixed Resistors: Current Sensing; Thick Film; Auto-Grade (AEC-Q200 qualified)

## NCST-A series

### Automotive Grade Thick Film Current Sensing Chip Resistors

NIC Components is pleased to announce the release of NCST-A series of auto-grade (AEC-Q200 qualified) current sensing SMT chip resistors. Supporting power ratings from 1/16W to 3W in industry-standard sizes; 0402, 0603, 0805, 1206, 1210, 2010, and 2512, as well as reverse geometry 0815 (1W), 0830 (2W) and 1225 (3W) case sizes. The resistance value range covers 1mΩ to 8Ω in 1% (F), 2% (G) and 5% (J) tolerance with TCR of ±100ppm to ±600ppm.



The thick film construction of the NCST-A series meets ASTM-B-809 anti-sulfur testing supporting use in harsh operating environments. The -55°C to +155°C operating temperature range (with derating above +70°C) meets the requirements of automotive, industrial, and enterprise-level systems.

#### Features:

- SMT 0402 to 1225 case sizes
- Wide Rvalue range: 1mΩ to 8Ω
- AEC-Q200 Qualified
- Anti-Sulfur Rated; ASTM-B-809-95 H<sub>2</sub>S, +50°C, 1000 Hours
- Meets +85°C / 85%RH Biased Humidity 1000 Hrs
- Precision Tolerance (±1%)
- Power Ratings; 1/16W to 3W

#### Circuit Applications:

- Current sensing
- Current limiting
- Power conversion
- Point of Load
- Op Amps
- Amplifiers

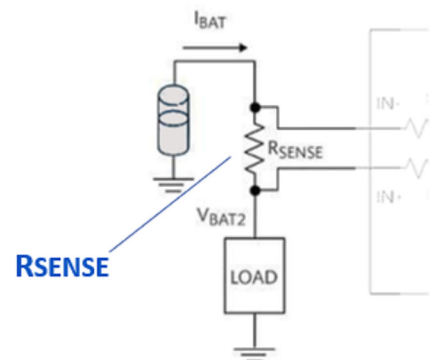
#### End-Use Applications:

- Automotive
- Commercial
- Industrial
- Telecomm
- Networking Equipment
- Security & Alarm
- Point Of Sale
- Appliances



[http://www.niccomp.com/products/catalog/ncst\\_a.pdf](http://www.niccomp.com/products/catalog/ncst_a.pdf)

NIC	KOA	Panasonic	ROHM	Vishay	Yageo
NCST-A	SR73-RT WK73S WU73	ERJ	UCR	RCWE RCWL	PE_L



Technical Support: [tpmg@niccomp.com](mailto:tpmg@niccomp.com)

[www.NICcomp.com](http://www.NICcomp.com) | ISO-9001:2015