

FEATURES

- **SOFT TERMINATIONS & AEC-Q200 QUALIFIED**
- MANUFACTURED AT ISO/TS 16949 PRODUCTION FACILITY
- SURFACE MOUNT CASE SIZES 0603, 0805, 1206 & 1210
- X7R DIELECTRIC
- VOLTAGE RATINGS TO 250VDC

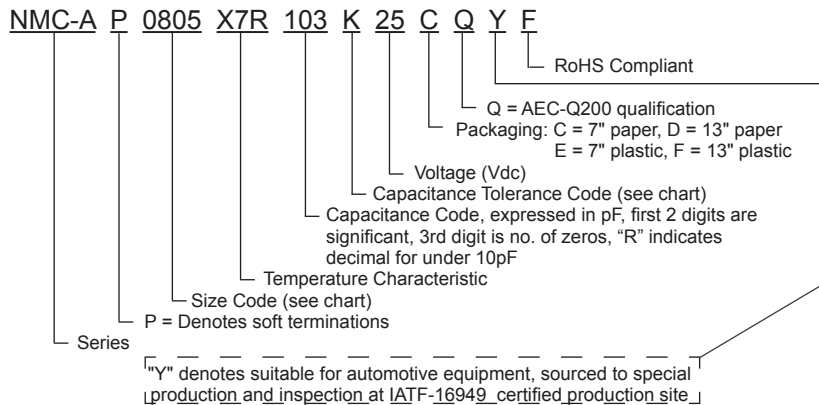


SPECIFICATIONS

Type	X7R (Class II)
Capacitance Range	1000pF ~ 4.7μF
Capacitance Tolerance	J (±5%), ±10% (K), ±20% (M)
Operating Temperature Range	-55°C ~ +125°C
Temperature Characteristics	±15%
Rated Voltages (VDC)	6.3, 10, 16, 25, 50, 100 & 250
Dissipation Factor (DF)	See Part Numbers & Specifications Table
Insulation Resistance @ 25°C @ ≤ Rated Voltage for 60 Sec.	
Dielectric Withstanding Voltage	
Test Conditions	

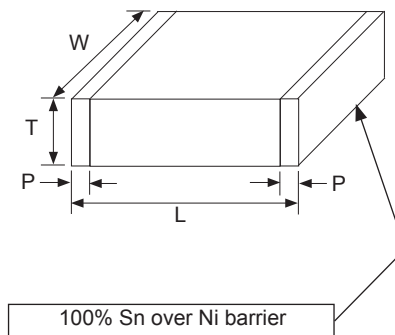
Note: Reflow soldering allowed for all case sizes. Contact NIC for wave soldering restrictions.

PART NUMBER SYSTEM



CASE SIZE DIMENSIONS (mm)

EIA Case Size	0603	0805	1206	1210
Length (L)	1.6 ± 0.20	2.0 ± 0.30	3.2 ± 0.40	3.2 ± 0.50
Width (W)	0.80 ± 0.15	1.25 ± 0.20	1.6 ± 0.20	2.5 ± 0.30
Thickness max. (T)	See Specifications Table			
Termination Width (P)	0.20 ~ 0.65	0.25 ~ 0.75	0.25 ~ 0.85	0.25 ~ 1.00





Automotive Electronics Council
Component Technical Committee

AEC-Q200 - STRESS TEST QUALIFICATION FOR PASSIVE COMPONENTS

GRADE: 1

TEMPERATURE RANGE: -40°C ~ +125°C

PASSIVE COMPONENT TYPE: Capacitors, Ceramic Type (MLCCs)

ITEM	TEST	TEST CONDITIONS
1	High Temperature Exposure	AEC-Q200-3 150°C, 1,000Hr
2	Temperature Cycling	AEC-Q200-4 Min temp. → 25°C → Max temp., 1,000 cycle
3	Destructive Physical Analysis	AEC-Q200-5 Electrical Test not required
4	Moisture Resistance	AEC-Q200-6 25~65°C, 90%RH, 10 cycle
5	Biased Humidity	AEC-Q200-7 85°C, 85%RH, Vr, 1,000Hr
6	High Temperature Operating Life	AEC-Q200-8 Max temp, Vr for 1,000Hr
7	External Visual	AEC-Q200-9 All qualification parts submitted
8	Physical Dimensions	AEC-Q200-10 Vernier Calipers
9	Mechanical Shock	AEC-Q200-13 1,500G, 15.4ft/s, Half Sine, Total 18 times
10	Vibration	AEC-Q200-14 10~2,000Hz, 5G's for 20min, Total 36 cycles
11	Resistance to Solder Heat	AEC-Q200-15 260°C, 10sec
12	Thermal Shock	AEC-Q200-16 Min temp (15min)→Max temp (15min), air to air, 300 cycle
13	ESD	AEC-Q200-17 HMB > 4kV
14	Solderability	AEC-Q200-18 +245°C, 5 sec
15	Electrical Characterization	AEC-Q200-19 Normal Temperature +20°C
16	Board Flex	AEC-Q200-21 Deflection Point = 5mm, 1mm/sec, 5 sec.
17	Terminal Strength	AEC-Q200-22 17.7N, for 60±1 sec.
18	Beam Load	AEC-Q200-23 0805 size = 20N 1206 size thickness <1.25mm = 15N 1206 size thickness ≥1.25mm = 54N 1210 size = 54N



X7R PART NUMBERS AND SPECIFICATIONS

Part Number	Case Size	Voltage (Vdc)	Cap. (µF)	Cap. Tol.	DF (%)	IR (GΩ)	DWV (Vdc)	Max. T (mm)
NMC-AP0603X7R102K16CQYF	0603	16	1000	10	3.50	10	40	0.95
NMC-AP0603X7R152K16CQYF	0603	16	1500	10	3.50	10	40	0.95
NMC-AP0603X7R222K16CQYF	0603	16	2200	10	3.50	10	40	0.95
NMC-AP0603X7R332K16CQYF	0603	16	3300	10	3.50	10	40	0.95
NMC-AP0603X7R472K16CQYF	0603	16	4700	10	3.50	10	40	0.95
NMC-AP0603X7R682K16CQYF	0603	16	6800	10	3.50	10	40	0.95
NMC-AP0603X7R103K16CQYF	0603	16	10000	10	3.50	10	40	0.95
NMC-AP0603X7R153K16CQYF	0603	16	15000	10	3.50	10	40	0.95
NMC-AP0603X7R223K16CQYF	0603	16	22000	10	3.50	10	40	0.95
NMC-AP0603X7R333K16CQYF	0603	16	33000	10	3.50	10	40	0.95
NMC-AP0603X7R473K16CQYF	0603	16	47000	10	3.50	10	40	0.95
NMC-AP0603X7R683K16CQYF	0603	16	68000	10	3.50	7.35	40	0.95
NMC-AP0603X7R104K16CQYF	0603	16	100000	10	3.50	5.0	40	0.95
NMC-AP0603X7R154K16CQYF	0603	16	150000	10	5.00	3.33	40	0.95
NMC-AP0603X7R224K16CQYF	0603	16	220000	10	5.00	2.27	40	0.95
NMC-AP0603X7R102K25CQYF	0603	25	1000	10	2.50	10	62.5	0.95
NMC-AP0603X7R152K25CQYF	0603	25	1500	10	2.50	10	62.5	0.95
NMC-AP0603X7R222K25CQYF	0603	25	2200	10	2.50	10	62.5	0.95
NMC-AP0603X7R332K25CQYF	0603	25	3300	10	2.50	10	62.5	0.95
NMC-AP0603X7R472K25CQYF	0603	25	4700	10	2.50	10	62.5	0.95
NMC-AP0603X7R682K25CQYF	0603	25	6800	10	2.50	10	62.5	0.95
NMC-AP0603X7R103K25CQYF	0603	25	10000	10	2.50	10	62.5	0.95
NMC-AP0603X7R153K25CQYF	0603	25	15000	10	2.50	10	62.5	0.95
NMC-AP0603X7R223K25CQYF	0603	25	22000	10	2.50	10	62.5	0.95
NMC-AP0603X7R333K25CQYF	0603	25	33000	10	2.50	10	62.5	0.95
NMC-AP0603X7R473K25CQYF	0603	25	47000	10	3.50	10	62.5	0.95
NMC-AP0603X7R563K25CQYF	0603	25	56000	10	3.50	8.92	62.5	0.95
NMC-AP0603X7R683K25CQYF	0603	25	68000	10	3.50	7.35	62.5	0.95
NMC-AP0603X7R823K25CQYF	0603	25	82000	10	3.50	6.09	62.5	0.95
NMC-AP0603X7R104K25CQYF	0603	25	100000	10	3.50	5.0	62.5	0.95
NMC-AP0603X7R154K25CQYF	0603	25	150000	10	3.50	3.33	62.5	0.95
NMC-AP0603X7R224K25CQYF	0603	25	220000	10	3.50	2.27	62.5	0.95
NMC-AP0603X7R102K50CQYF	0603	50	1000	10	2.50	10	125	0.95
NMC-AP0603X7R152K50CQYF	0603	50	1500	10	2.50	10	125	0.95
NMC-AP0603X7R222K50CQYF	0603	50	2200	10	2.50	10	125	0.95
NMC-AP0603X7R332K50CQYF	0603	50	3300	10	2.50	10	125	0.95
NMC-AP0603X7R472K50CQYF	0603	50	4700	10	2.50	10	125	0.95
NMC-AP0603X7R682K50CQYF	0603	50	6800	10	2.50	10	125	0.95
NMC-AP0603X7R103K50CQYF	0603	50	10000	10	2.50	10	125	0.95
NMC-AP0603X7R153K50CQYF	0603	50	15000	10	2.50	10	125	0.95
NMC-AP0603X7R223K50CQYF	0603	50	22000	10	2.50	10	125	0.95
NMC-AP0603X7R333K50CQYF	0603	50	33000	10	2.50	10	125	0.95
NMC-AP0603X7R473K50CQYF	0603	50	47000	10	3.50	10	125	0.95
NMC-AP0603X7R683K50CQYF	0603	50	68000	10	3.50	7.35	125	0.95
NMC-AP0603X7R104K50CQYF	0603	50	100000	10	3.50	5.0	125	0.95

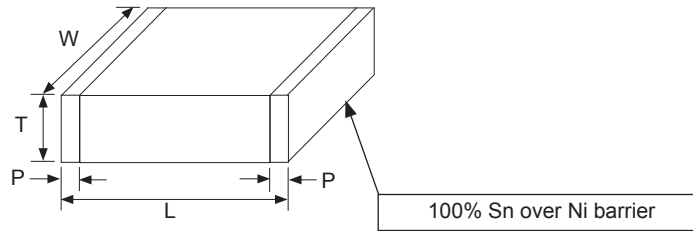
(CONSULT FACTORY VALUES CONTINUE ON NEXT PAGE FOR CAPACITANCE VALUES NOT LISTED)

X7R PART NUMBERS AND SPECIFICATIONS

Part Number	Case Size	Voltage (Vdc)	Cap. (μF)	Cap. Tol.	DF (%)	IR (GΩ)	DWV (Vdc)	Max. T (mm)
NMC-AP0603X7R102K100CQYF	0603	100	1000	10	2.50	10	250	0.95
NMC-AP0603X7R152K100CQYF	0603	100	1500	10	2.50	10	250	0.95
NMC-AP0603X7R222K100CQYF	0603	100	2200	10	2.50	10	250	0.95
NMC-AP0603X7R332K100CQYF	0603	100	3300	10	2.50	10	250	0.95
NMC-AP0603X7R472K100CQYF	0603	100	4700	10	2.50	10	250	0.95
NMC-AP0603X7R682K100CQYF	0603	100	6800	10	2.50	10	250	0.95
NMC-AP0603X7R103K100CQYF	0603	100	10000	10	2.50	10	250	0.95
NMC-AP0603X7R153K100CQYF	0603	100	15000	10	5.00	10	250	0.95
NMC-AP0603X7R223K100CQYF	0603	100	22000	10	5.00	10	250	0.95
NMC-AP0603X7R333K100CQYF	0603	100	33000	10	5.00	10	250	0.95
NMC-AP0603X7R473K100CQYF	0603	100	47000	10	5.00	10	250	0.95

(CONSULT FACTORY FOR CAPACITANCE VALUES NOT LISTED)

VALUES CONTINUE ON NEXT PAGE



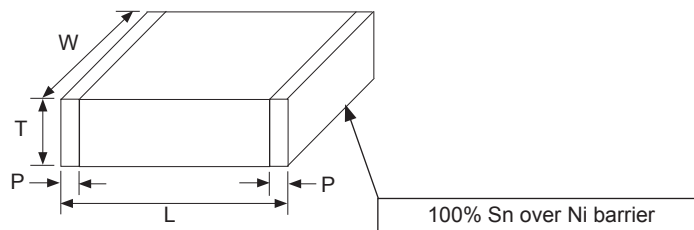


X7R PART NUMBERS AND SPECIFICATIONS

Part Number	Case Size	Voltage (Vdc)	Cap. (µF)	Cap. Tol.	DF (%)	IR (GΩ)	DWV (Vdc)	Max. T (mm)
NMC-AP0805X7R102K10CQYF	0805	10	0.001	10	5.00	10	25	1.00
NMC-AP0805X7R152K10CQYF	0805	10	0.0015	10	5.00	10	25	1.00
NMC-AP0805X7R222K10CQYF	0805	10	0.0022	10	5.00	10	25	1.00
NMC-AP0805X7R332K10CQYF	0805	10	0.0033	10	5.00	10	25	1.00
NMC-AP0805X7R472K10CQYF	0805	10	0.0047	10	5.00	10	25	1.00
NMC-AP0805X7R682K10CQYF	0805	10	0.0068	10	5.00	10	25	1.00
NMC-AP0805X7R103K10CQYF	0805	10	0.01	10	5.00	10	25	1.00
NMC-AP0805X7R153K10CQYF	0805	10	0.015	10	5.00	10	25	1.00
NMC-AP0805X7R223K10CQYF	0805	10	0.022	10	5.00	10	25	1.00
NMC-AP0805X7R333K10CQYF	0805	10	0.033	10	5.00	10	25	1.00
NMC-AP0805X7R473K10CQYF	0805	10	0.047	10	5.00	10	25	1.00
NMC-AP0805X7R683K10CQYF	0805	10	0.068	10	5.00	7.35	25	1.00
NMC-AP0805X7R104K10CQYF	0805	10	0.1	10	5.00	5.0	25	1.00
NMC-AP0805X7R102K16CQYF	0805	16	0.001	10	3.50	10	40	1.00
NMC-AP0805X7R152K16CQYF	0805	16	0.0015	10	3.50	10	40	1.00
NMC-AP0805X7R222K16CQYF	0805	16	0.0022	10	3.50	10	40	1.00
NMC-AP0805X7R332K16CQYF	0805	16	0.0033	10	3.50	10	40	1.00
NMC-AP0805X7R472K16CQYF	0805	16	0.0047	10	3.50	10	40	1.00
NMC-AP0805X7R682K16CQYF	0805	16	0.0068	10	3.50	10	40	1.00
NMC-AP0805X7R103K16CQYF	0805	16	0.01	10	3.50	10	40	1.00
NMC-AP0805X7R153K16CQYF	0805	16	0.015	10	3.50	10	40	1.00
NMC-AP0805X7R223K16CQYF	0805	16	0.022	10	3.50	10	40	1.00
NMC-AP0805X7R333K16CQYF	0805	16	0.033	10	3.50	10	40	1.00
NMC-AP0805X7R473K16CQYF	0805	16	0.047	10	3.50	10	40	1.00
NMC-AP0805X7R683K16CQYF	0805	16	0.068	10	3.50	7.35	40	1.00
NMC-AP0805X7R104K16CQYF	0805	16	0.1	10	3.50	5.0	40	1.00
NMC-AP0805X7R102K25CQYF	0805	25	0.001	10	2.50	10	62.5	1.00
NMC-AP0805X7R152K25CQYF	0805	25	0.0015	10	2.50	10	62.5	1.00
NMC-AP0805X7R222K25CQYF	0805	25	0.0022	10	2.50	10	62.5	1.00
NMC-AP0805X7R332K25CQYF	0805	25	0.0033	10	2.50	10	62.5	1.00
NMC-AP0805X7R472K25CQYF	0805	25	0.0047	10	2.50	10	62.5	1.00
NMC-AP0805X7R682K25CQYF	0805	25	0.0068	10	2.50	10	62.5	1.00
NMC-AP0805X7R103K25CQYF	0805	25	0.01	10	2.50	10	62.5	1.00
NMC-AP0805X7R153K25CQYF	0805	25	0.015	10	2.50	10	62.5	1.00
NMC-AP0805X7R223K25CQYF	0805	25	0.022	10	2.50	10	62.5	1.00
NMC-AP0805X7R333K25CQYF	0805	25	0.033	10	2.50	10	62.5	1.00
NMC-AP0805X7R473K25CQYF	0805	25	0.047	10	2.50	10	62.5	1.00
NMC-AP0805X7R683K25CQYF	0805	25	0.068	10	2.50	7.35	62.5	1.00
NMC-AP0805X7R104K25CQYF	0805	25	0.1	10	2.50	5.0	62.5	1.00

(CONSULT FACTORY FOR CAPACITANCE VALUES NOT LISTED)

VALUES CONTINUE ON NEXT PAGE



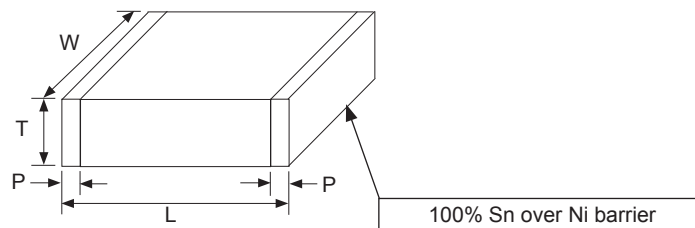


X7R PART NUMBERS AND SPECIFICATIONS

Part Number	Case Size	Voltage (Vdc)	Cap. (µF)	Cap. Tol.	DF (%)	IR (GΩ)	DWV (Vdc)	Max. T (mm)
NMC-AP0805X7R102K50CQYF	0805	50	0.001	10	2.50	10	125	1.00
NMC-AP0805X7R152K50CQYF	0805	50	0.0015	10	2.50	10	125	1.00
NMC-AP0805X7R222K50CQYF	0805	50	0.0022	10	2.50	10	125	1.00
NMC-AP0805X7R332K50CQYF	0805	50	0.0033	10	2.50	10	125	1.00
NMC-AP0805X7R472K50CQYF	0805	50	0.0047	10	2.50	10	125	1.00
NMC-AP0805X7R682K50CQYF	0805	50	0.0068	10	2.50	10	125	1.00
NMC-AP0805X7R103K50CQYF	0805	50	0.01	10	2.50	10	125	1.00
NMC-AP0805X7R153K50CQYF	0805	50	0.015	10	2.50	10	125	1.00
NMC-AP0805X7R223K50CQYF	0805	50	0.022	10	2.50	10	125	1.00
NMC-AP0805X7R333K50CQYF	0805	50	0.033	10	2.50	10	125	1.00
NMC-AP0805X7R473K50CQYF	0805	50	0.047	10	2.50	10	125	1.00
NMC-AP0805X7R683K50EQYF	0805	50	0.068	10	2.50	7.35	125	1.45
NMC-AP0805X7R104K50EQYF	0805	50	0.1	10	2.50	5.0	125	1.45
NMC-AP0805X7R102K100CQYF	0805	100	0.001	10	2.50	10	250	1.00
NMC-AP0805X7R152K100CQYF	0805	100	0.0015	10	2.50	10	250	1.00
NMC-AP0805X7R222K100CQYF	0805	100	0.0022	10	2.50	10	250	1.00
NMC-AP0805X7R332K100CQYF	0805	100	0.0033	10	2.50	10	250	1.00
NMC-AP0805X7R472K100CQYF	0805	100	0.0047	10	2.50	10	250	1.00
NMC-AP0805X7R682K100CQYF	0805	100	0.0068	10	2.50	10	250	1.00
NMC-AP0805X7R103K100CQYF	0805	100	0.01	10	2.50	10	250	1.00
NMC-AP0805X7R153K100CQYF	0805	100	0.015	10	2.50	10	250	1.00
NMC-AP0805X7R223K100CQYF	0805	100	0.022	10	2.50	10	250	1.00
NMC-AP0805X7R333K100EQYF	0805	100	0.033	10	2.50	10	250	1.45
NMC-AP0805X7R473K100EQYF	0805	100	0.047	10	2.50	10	250	1.45
NMC-AP0805X7R683K100EQYF	0805	100	0.068	10	2.50	7.35	250	1.45
NMC-AP0805X7R104K100EQYF	0805	100	0.1	10	2.50	5.0	250	1.45
NMC-AP1206X7R223K6.3CQYF	1206	6.3	0.022	10	5.00	10	15.75	1.00
NMC-AP1206X7R333K6.3CQYF	1206	6.3	0.033	10	5.00	10	15.75	1.00
NMC-AP1206X7R473K6.3CQYF	1206	6.3	0.047	10	5.00	10	15.75	1.00
NMC-AP1206X7R683K6.3CQYF	1206	6.3	0.068	10	5.00	7.35	15.75	1.00
NMC-AP1206X7R104K6.3CQYF	1206	6.3	0.1	10	5.00	5.0	15.75	1.00
NMC-AP1206X7R154K6.3EQYF	1206	6.3	0.15	10	5.00	3.33	15.75	1.45
NMC-AP1206X7R224K6.3EQYF	1206	6.3	0.22	10	5.00	2.27	15.75	1.45
NMC-AP1206X7R223K10CQYF	1206	10	0.022	10	5.00	10	25	1.00
NMC-AP1206X7R333K10CQYF	1206	10	0.033	10	5.00	10	25	1.00
NMC-AP1206X7R473K10CQYF	1206	10	0.047	10	5.00	10	25	1.00
NMC-AP1206X7R683K10CQYF	1206	10	0.068	10	5.00	7.35	25	1.00
NMC-AP1206X7R104K10CQYF	1206	10	0.1	10	5.00	5.0	25	1.00
NMC-AP1206X7R154K10EQYF	1206	10	0.15	10	5.00	3.33	25	1.45

(CONSULT FACTORY FOR CAPACITANCE VALUES NOT LISTED)

VALUES CONTINUE ON NEXT PAGE

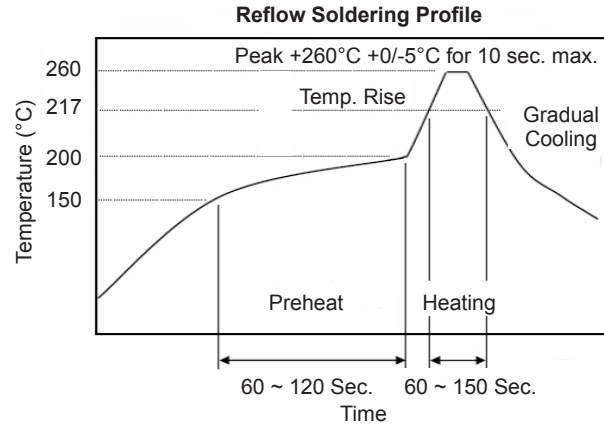




X7R PART NUMBERS AND SPECIFICATIONS

Part Number	Case Size	Voltage (Vdc)	Cap. (µF)	Cap. Tol.	DF (%)	IR (GΩ)	DWV (Vdc)	Max. T (mm)
NMC-AP1206X7R224K10EQYF	1206	10	0.22	10	5.00	2.27	25	1.45
NMC-AP1206X7R223K16CQYF	1206	16	0.022	10	3.50	10	40	1.00
NMC-AP1206X7R333K16CQYF	1206	16	0.033	10	3.50	10	40	1.00
NMC-AP1206X7R473K16CQYF	1206	16	0.047	10	3.50	10	40	1.00
NMC-AP1206X7R683K16CQYF	1206	16	0.068	10	3.50	7.35	40	1.00
NMC-AP1206X7R104K16CQYF	1206	16	0.1	10	3.50	5.0	40	1.00
NMC-AP1206X7R154K16EQYF	1206	16	0.15	10	3.50	3.33	40	1.45
NMC-AP1206X7R224K16EQYF	1206	16	0.22	10	3.50	2.27	40	1.45
NMC-AP1206X7R223K25CQYF	1206	25	0.022	10	2.50	10	62.5	1.00
NMC-AP1206X7R333K25CQYF	1206	25	0.033	10	2.50	10	62.5	1.00
NMC-AP1206X7R473K25CQYF	1206	25	0.047	10	2.50	10	62.5	1.00
NMC-AP1206X7R683K25CQYF	1206	25	0.068	10	2.50	7.35	62.5	1.00
NMC-AP1206X7R104K25CQYF	1206	25	0.1	10	2.50	5.0	62.5	1.00
NMC-AP1206X7R154K25CQYF	1206	25	0.15	10	2.50	3.33	62.5	1.45
NMC-AP1206X7R224K25CQYF	1206	25	0.22	10	2.50	2.27	62.5	1.45
NMC-AP1206X7R223K50CQYF	1206	50	0.022	10	2.50	10	125	1.00
NMC-AP1206X7R333K50CQYF	1206	50	0.033	10	2.50	10	125	1.00
NMC-AP1206X7R473K50CQYF	1206	50	0.047	10	2.50	10	125	1.00
NMC-AP1206X7R683K50CQYF	1206	50	0.068	10	2.50	7.35	125	1.00
NMC-AP1206X7R104K50CQYF	1206	50	0.1	10	2.50	5.0	125	1.00
NMC-AP1206X7R154K50CQYF	1206	50	0.15	10	2.50	3.33	125	1.45
NMC-AP1206X7R224K50CQYF	1206	50	0.22	10	2.50	2.27	125	1.45
NMC-AP1206X7R223K100CQYF	1206	100	0.022	10	2.50	10	250	1.00
NMC-AP1206X7R333K100CQYF	1206	100	0.033	10	2.50	10	250	1.00
NMC-AP1206X7R473K100CQYF	1206	100	0.047	10	2.50	10	250	1.00
NMC-AP1206X7R683K100EQYF	1206	100	0.068	10	2.50	7.35	250	1.45
NMC-AP1206X7R104K100EQYF	1206	100	0.1	10	2.50	5.0	250	1.45
NMC-AP1206X7R154K100EQYF	1206	100	0.15	10	2.50	3.33	250	1.45
NMC-AP1206X7R224K100EQYF	1206	100	0.22	10	2.50	2.27	250	1.45
NMC-AP1206X7R223K250EQYF	1206	250	0.022	10	2.50	10	425	1.45
NMC-AP1206X7R333K250EQYF	1206	250	0.033	10	2.50	10	425	1.45
NMC-AP1206X7R473K250EQYF	1206	250	0.047	10	2.50	10	425	1.45
NMC-AP1206X7R683K250EQYF	1206	250	0.068	10	2.50	7.35	425	1.45
NMC-AP1206X7R104K250EQYF	1206	250	0.1	10	2.50	5.0	425	1.80
NMC-AP1210X7R475K50EQYF	1210	50	4.7	10	5.00	0.1	125	2.80
NMC-AP1210X7R104K100EQYF	1210	100	0.1	10	2.50	5.0	250	2.80
NMC-AP1210X7R154K100EQYF	1210	100	0.15	10	2.50	3.33	250	2.80
NMC-AP1210X7R224K100EQYF	1210	100	0.22	10	2.50	2.27	250	2.80
NMC-AP1210X7R104K200EQYF	1210	200	0.1	10	2.50	5.0	300	2.80
NMC-AP1210X7R154K200EQYF	1210	200	0.15	10	2.50	3.33	300	2.80
NMC-AP1210X7R224K200EQYF	1210	200	0.22	10	2.50	2.27	300	2.80
NMC-AP1210X7R104K250EQYF	1210	250	0.1	10	2.50	5.0	325	2.80
NMC-AP1210X7R154K250EQYF	1210	250	0.15	10	2.50	3.33	325	2.80
NMC-AP1210X7R224K250EQYF	1210	250	0.22	10	2.50	2.27	325	2.80

(CONSULT FACTORY FOR CAPACITANCE VALUES NOT LISTED)



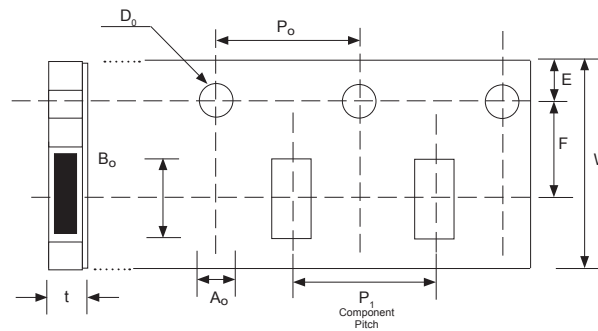
REEL QUANTITIES & CARRIER TYPE

Reel Size	0603	0805		1206		1210
	T ≤ 1.0mm	T ≤ 1.0mm	T > 1.0mm	T ≤ 0.95mm	T ≥ 1.00mm	2.7mm max.
7"	4K Punch	4K Punch	3K Embossed	4K Punch	3K Embossed	1K Embossed
13"	15K Punch	15K Punch	10K Embossed	15K Punch	10K Embossed	n/a

PUNCHED CARRIER TAPE DIMENSIONS (mm)

Type	Thickness	A ₀	B ₀	W	F	E	P ₁	P ₀	D ₀	t max.
0603	≤1.0	0.95 ± 0.15	1.78 ± 0.15	8.0 ± 0.10	3.5 ± 0.05	1.75 ± 0.05	4.0 ± 0.10	4.0 ± 0.10	1.55 ± 0.05	1.10
0805		1.50 ± 0.20	2.30 ± 0.20							1.30
1206		1.90 ± 0.30	3.50 ± 0.50							1.30

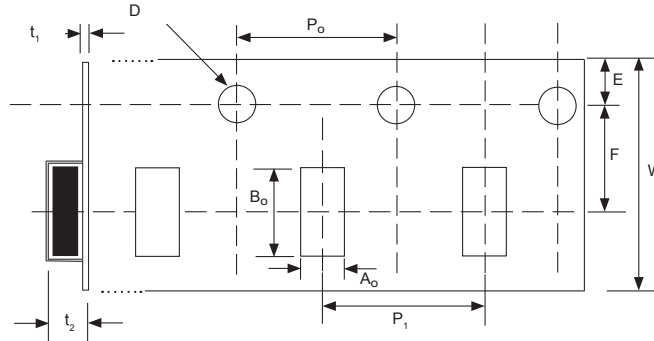
0603/0805/1206 CASE SIZE



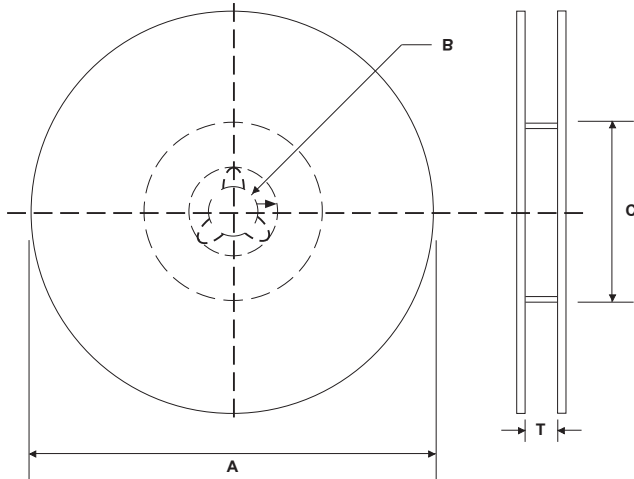
EMBOSSED PLASTIC CARRIER TAPE DIMENSIONS (mm)

Type	A ₀	B ₀	W	F	E	P1	P0	D0	t ₁	t ₂
0805	<1.80	<2.70	8.0 ± 0.30	3.5 ± 0.05	1.75 ± 0.10	4.0 ± 0.10	4.0 ± 0.10	1.50 +0.1/-0	0.23 ± 0.10	<2.50
1206	<2.30	<4.00								
1210	<3.05	<3.80								

0805/1206/1210 CASE SIZE



REEL



REEL DIMENSIONS (mm)

Reel Diameter (A)	B	C	T max.
7" (178 ± 0.1)	13.0 +0.5/-0.2	60.0 +1/-0	8.4 +1.5/-0
13" (330 ± 1.0)	13.0 +0.5/-0.2	100.0 ±1.0	8.4 +1.5/-0

CARRIER TAPE MATERIAL

Parts with a thickness of >1mm will be taped on embossed plastic carrier. Parts with a thickness of less than 1mm will be taped on paper carrier