



[www.niccomp.com/pcn](http://www.niccomp.com/pcn) | Technical Support: [tpmg@niccomp.com](mailto:tpmg@niccomp.com)

Issued: June 28th, 2022

SUB: EOL Notice

Product Type: Radial Leaded Double Layer Capacitors  
 NIC Series: NEZB, NEZHL, NEZHC, NEZX, NEZVL and NEZVN Series  
 Product Specification:

- <http://www.niccomp.com/products/catalog/nezb.pdf>
- <http://www.niccomp.com/products/catalog/nezhl.pdf>
- <http://www.niccomp.com/products/catalog/nezhc.pdf>
- <http://www.niccomp.com/products/catalog/nezx.pdf>
- [http://www.niccomp.com/products/catalog/nezvn\\_nezvl.pdf](http://www.niccomp.com/products/catalog/nezvn_nezvl.pdf)

Notification: End of Life Notification

The following is notice of end of life for the NEZB, NEZHL, NEZHC, NEZX, NEZVL and NEZVN series.

Effective: July 28th, 2022

Last Order Date: January 31<sup>st</sup>, 2023 for established customers with existing business and due to limited allocation purchases are restricted to past history of shipping quantities

Last Ship Date: March 30th, 2024 for established customers with existing business

Reason for Discontinuation: Low Demand

Part Number	Capacitance (F)	Voltage	Size (mm)	Possible Alternative
NEZB473Z5.5V13.5X7.5F	0.047	5.5	13.5X7.5	NEXS473Z5.5V13X8.5F
NEZB104Z5.5V13.5X7.5F	0.1	5.5	13.5X7.5	NEXS104Z5.5V16.5X8.5F
NEZB224Z5.5V13.5X7.5F	0.22	5.5	13.5X7.5	NEXS224Z5.5V16.5X13F
NEZB334Z5.5V13.5X7.5F	0.33	5.5	13.5X7.5	N/A
NEZB474Z5.5V21.5X8F	0.47	5.5	21.5X8	NEXS474Z5.5V21.5X13
NEZB105Z5.5V21.5X8F	1	5.5	21.5X8	NEXS105Z5.5V28.5X14
NEZB155Z5.5V21.5X8F	1.5	5.5	21.5X8	N/A
NEZHL473Z5.5V13.5X9.5F	0.047	5.5	13.5X9.5	NEXS473Z5.5V13X8.5F
NEZHL104Z5.5V13.5X9.5F	0.1	5.5	13.5X9.5	NEXS104Z5.5V16.5X8.5F
NEZHL224Z5.5V13.5X9.5F	0.22	5.5	13.5X9.5	NEXS224Z5.5V16.5X13F
NEZHL474Z5.5V21.5X9.5F	0.47	5.5	21.5X9.5	NEXS474Z5.5V21.5X13F
NEZHL105Z5.5V21.5X9.5F	1	5.5	21.5X9.5	NEXS105Z5.5V21.5X13F
NEZHC473Z5.5V13.5X9.5F	0.047	5.5	13.5X9.5	NEXS473Z5.5V13X8.5F
NEZHC104Z5.5V13.5X9.5F	0.1	5.5	13.5X9.5	NEXS104Z5.5V16.5X8.5F
NEZHC224Z5.5V13.5X9.5F	0.22	5.5	13.5X9.5	NEXS224Z5.5V16.5X13F
NEZHC474Z5.5V21.5X9.5F	0.47	5.5	21.5X9.5	NEXS474Z5.5V21.5X13
NEZHC684Z5.5V21.5X9.5F	0.68	5.5	21.5X9.5	NEXS105Z5.5V21.5X13F
NEZHC105Z5.5V21.5X9.5F	1	5.5	21.5X9.5	NEXS105Z5.5V21.5X13F



NIC Components Corp.

[www.niccomp.com/pcn](http://www.niccomp.com/pcn) | Technical Support: [tpmg@niccomp.com](mailto:tpmg@niccomp.com)

Part Number	Capacitance (F)	Voltage	Size (mm)	Possible Alternative
NEZX473Z5.5VV11.5X13F	0.047	5.5	11.5X13	NEXS473Z5.5V13X8.5F
NEZX473Z5.5VH11.5X5F	0.047	5.5	11.5X5	N/A
NEZX104Z5.5VV11.5X13F	0.1	5.5	11.5X13	N/A
NEZX104Z5.5VH11.5X5F	0.1	5.5	11.5X5	N/A
NEZX224Z5.5VV11.5X13F	0.22	5.5	11.5X13	N/A
NEZX224Z5.5VH11.5X5F	0.22	5.5	11.5X5	N/A
NEZX334Z5.5VV11.5X13F	0.33	5.5	11.5X13	N/A
NEZX334Z5.5VH11.5X5F	0.33	5.5	11.5X5	N/A
NEZX105Z5.5VV19X20.5F	1	5.5	19X20.5	NEXT105Z5.5V21.5X13F
NEZX155Z5.5VV19X20.5F	1.5	5.5	19X20.5	NEXG225Z5.5V21.5X19F
NEZX474Z5.5VV11.5X13F	0.47	5.5	11.5X13	NEXS473Z5.5V13X8.5F
NEZX474Z5.5VH11.5X5F	0.47	5.5	11.5X5	N/A
NEZX474Z5.5VV19X20.5F	0.47	5.5	19X20.5	NEXS474Z5.5V21.5X13
NEZVL473Z5.5V12.5x10.5TRF	0.047	5.5	12.5x10.5	N/A
NEZVL104Z5.5V12.5x10.5TRF	0.1	5.5	12.5x10.5	NEXCW473Z5.5V10.7X5.5TRF
NEZVL224Z5.5V12.5x10.5TRF	0.22	5.5	12.5x10.5	NEXCW224Z5.5V10.7X8.5TRF
NEZVN473Z5.5V12.5x8.5TRF	0.047	5.5	12.5x8.5	NEXC473Z5.5V10.5X5.5TRF
NEZVN104Z5.5V12.5x8.5TRF	0.1	5.5	12.5x8.5	NEXC104Z5.5V10.5X5.5TRF
NEZVN224Z5.5V12.5x8.5TRF	0.22	5.5	12.5x8.5	NEXC224Z5.5V10.5X8.5TRF

Prepared by: Technical Product Marketing Group / [tpmg@niccomp.com](mailto:tpmg@niccomp.com)

➔ Follow NIC PCN alerts to get email notifications of EOL and PCN announcements at [www.niccomp.com/pcn](http://www.niccomp.com/pcn)

---

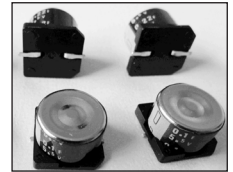
Use our Quickbuilder tool to find possible alternatives for the discontinued NACK parts:

[http://www.niccomp.com/QuickBUILDER/qb\\_capacitor.php](http://www.niccomp.com/QuickBUILDER/qb_capacitor.php)

### FEATURES

- DOUBLE LAYER CONSTRUCTION
- HIGH TEMPERATURE REFLOW (+260°C)
- SURFACE MOUNTABLE V-CHIP STYLE
- EXTENDED TEMPERATURE RANGE (UP TO +85°C FOR NEZVL)

**RoHS  
Compliant**  
includes all homogeneous materials



### CHARACTERISTICS

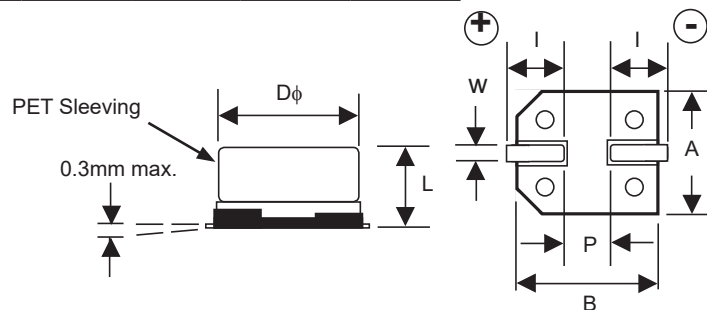
Series		NEZVN	NEZVL	
Operating Temperature Range		-25°C ~ +70°C	-40°C ~ +85°C	
Rated Capacitance Range		0.047F (47,000µF), 0.1F (100,000µF) and 0.22F (220,000µF)		
Capacitance Tolerance		+80%/-20% (Z)		
Rated Voltage Range		5.5VDC		
Load Life Test 1,000 hours	NEZVN @ +70°C NEZVL @ +85°C	Δ Capacitance Change	Less than ±30% of initial measured value	
		Maximum ESR	Less than 400% of the specified maximum value	
		Maximum Leakage Current	Less than 200% of the specified maximum value	
Characteristics at High & Low Temperature	NEZVN @ -25°C ~ +70°C	Δ Capacitance Change	Less than ±30% of 20°C value	
		Maximum ESR	Less than 500% of 20°C value	
		Maximum Leakage Current	Less than 400% of 20°C value	
	NEZVL @ -40°C ~ +85°C	Δ Capacitance Change	Less than ±30% of 20°C value	
		Maximum ESR	-40°C -25°C/+85°C	Less than 700% of 20°C value Less than 500% of 20°C value
		Maximum Leakage Current	Less than 400% of the specified maximum value	
Vibration 10 ~ 55Hz (1 min./sweep) Total Amplitude 1.5mm, 2Hr in XYZ Directon	Δ Capacitance Change		Less than ±10% of initial measured value	
	Maximum ESR		Less than initial specified maximum value	
	Maximum Leakage Current		Less than initial specified maximum value	
Resistance to Soldering Heat Peak Temp. +260°C (Time over +230°C <30 seconds)	Δ Capacitance Change		Less than ±10% of initial measured value	
	Maximum ESR		Less than initial specified maximum value	
	Maximum Leakage Current		Less than initial specified maximum value	

### STANDARD VALUES AND SPECIFICATIONS

NIC P/N	Capacitance Value (F)	Working Voltage (VDC)	Holding Voltage (VDC min.)	Max. Leakage Current after 30 minutes (µA)	Max. ESR @ 1KHz (Ω)
NEZVN473Z5.5V12.5X8.5TRF	0.047	5.5	4.0	69	30
NEZVN104Z5.5V12.5X8.5TRF	0.1	5.5	4.0	100	30
NEZVN224Z5.5V12.5X8.5TRF	0.22	5.5	4.0	135	30
NEZVL473Z5.5V12.5X10.5TRF	0.047	5.5	4.0	69	45
NEZVL104Z5.5V12.5X10.5TRF	0.1	5.5	4.0	100	45
NEZVL224Z5.5V12.5X10.5TRF	0.22	5.5	4.0	135	45

### CASE DIMENSIONS (mm)

Case Size	Dφ ± 0.5	L max.	A/B ± 0.2	I	W	P
12.5X8.5	12.5	8.5	13.0	5.0	1.2	5.0
12.5X10.5	12.5	10.5	13.0	5.0	1.2	5.0



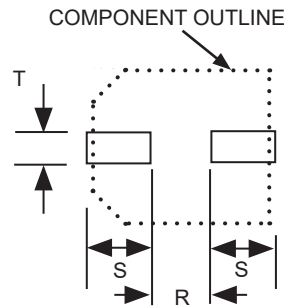
### PRECAUTIONS

Please review the notes on correct use, safety and precautions found at [https://www.nicomp.com/resource/files/double/Double\\_Layer\\_Capacitor\\_Guide\\_0810-RevBrA7.pdf](https://www.nicomp.com/resource/files/double/Double_Layer_Capacitor_Guide_0810-RevBrA7.pdf)  
If in doubt or uncertainty, please review your specific application - process details with NIC's technical support personnel: [tpmg@nicomp.com](mailto:tpmg@nicomp.com)

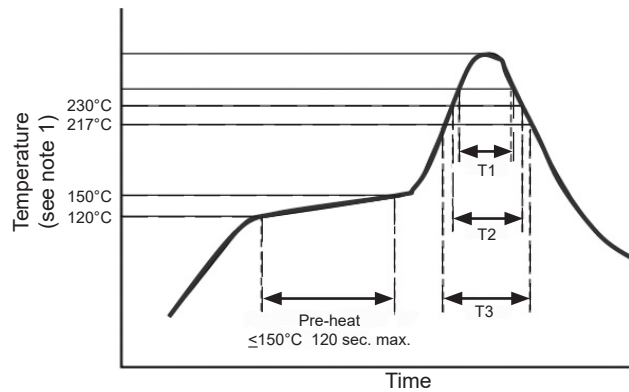


### LAND PATTERN DIMENSIONS (mm)

Case Diameter	R	S	T
12.5	4.0	6.0	3.2



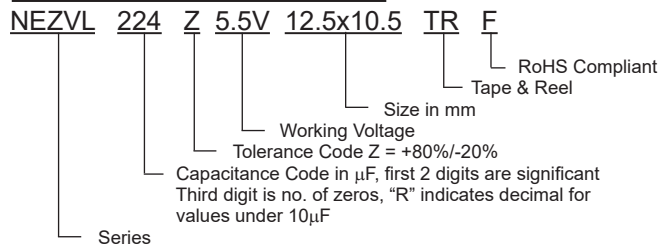
### RECOMMENDED REFLOW PROFILE



1. The temperatures shown are the surface temperature values on the top of the can and on the capacitor terminals.
2. 2x reflow process maximum. Capacitor should be allowed to return to room temperature before second reflow process.

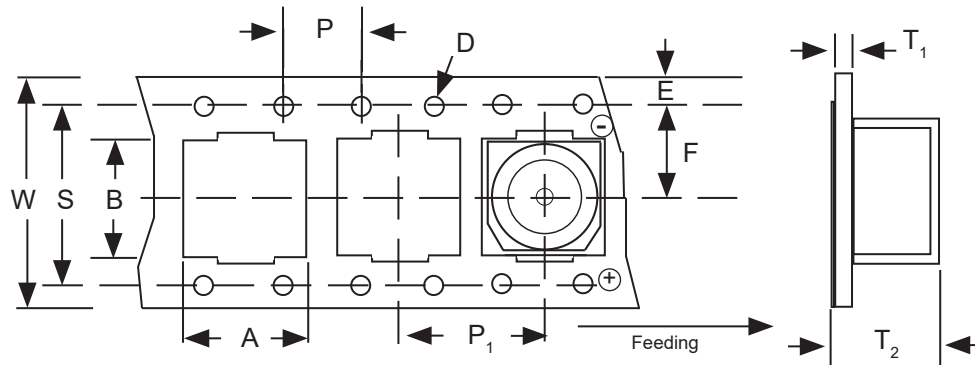
Peak Temperature	T1 Time above +230°C	T2 Time above +217°C	T3 Time above +200°C	# of times reflow
≤+260°C	≤20 seconds	≤30 seconds	≤50 seconds	2 times
≤+250°C	≤30 seconds	≤40 seconds	≤60 seconds	2 times

### PART NUMBER SYSTEM



### CARRIER TAPE DIMENSIONS (mm)

Case Size	A ± 0.2	B ± 0.2	D +1/-0	E ± 0.1	F ± 0.1	P ± 0.1	P <sub>1</sub> ± 0.1	T <sub>1</sub> ± 0.1	T <sub>2</sub> ± 0.2	W ± 0.3	Quantity/Reel
12.5 x 8.5	13.4	13.4	1.50	1.75	11.5	4.0	24.0	0.5	9.5	32.0	300
12.5 x 10.5	11.4	13.0	1.50	1.75	11.5	4.0	24.0	0.5	11.0	32.0	250



### REEL DIMENSIONS (mm)

Case Diameter	A max.	B min.	C ± 0.5	W	t
12.5	φ322	φ80	13.0	32.0	3.0

