

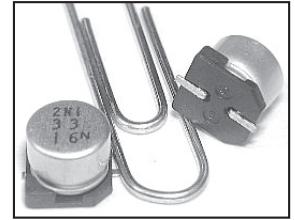
Surface Mount Aluminum Electrolytic Capacitors NACNW Series

FEATURES

- CYLINDRICAL V-CHIP CONSTRUCTION FOR SURFACE MOUNTING
- NON-POLARIZED, 1000 HOURS AT 105°C
- 5.5mm HEIGHT
- ANTI-SOLVENT (2 MINUTES)
- DESIGNED FOR REFLOW SOLDERING

**RoHS
Compliant**
includes all homogeneous materials

*See Part Number System for Details



CHARACTERISTICS

Rated Voltage Range	6.3 ~ 63Vdc							
Rated Capacitance Range	1.0 ~ 47 μ F							
Operating Temp. Range	-55 ~ +105°C							
Capacitance Tolerance	\pm 20% (M)							
Max. Leakage Current After 1 Minutes @ 20°C	0.03CV + 8 μ A max.							
Tan δ @ 120Hz/20°C	W.V. (Vdc)	6.3	10	16	25	35	50	63
	Tan δ @ 120Hz/20°C	0.24	0.22	0.20	0.20	0.20	0.18	0.16
Low Temperature Stability Impedance Ratio @ 120Hz	W.V. (Vdc)	6.3	10	16	25	35	50	79
	Z -25°C/Z +20°C	3	3	2	2	2	2	2
	Z -40°C/Z +20°C	8	8	4	4	3	3	3
Load Life Test 105°C 1,000 Hours (Reverse polarity every 500 Hours)	Capacitance Change	Within \pm 25% of initial measured value						
	Tan δ	Less than 200% of specified max. value						
	Leakage Current	Less than specified max. value						

STANDARD VALUES, CASE SIZES & SPECIFICATIONS

Part Number	Cap. (μ F)	Working Voltage	Max. ESR (Ω) AT 120Hz/20°C	Max. Ripple Current (mA rms) AT 120Hz/105°C
NACNW220M6.3V5X5.5TR13F	22	6.3Vdc	18.09	22
NACNW330M6.3V6.3X5.5TR13F	33		12.06	27
NACNW470M6.3V6.3X5.5TR13F	47		8.47	33
NACNW100M10V4X5.5TR13F	10	10Vdc	36.49	12
NACNW220M10V6.3X5.5TR13F	22		16.59	25
NACNW330M10V6.3X5.5TR13F	33		11.06	30
NACNW4R7M16V4X5.5TR13F	4.7	16Vdc	70.58	8
NACNW100M16V5X5.5TR13F	10		33.17	17
NACNW220M16V6.3X5.5TR13F	22		15.08	27
NACNW330M16V6.3X5.5TR13F	33		10.05	40
NACNW3R3M25V4X5.5TR13F	3.3	25Vdc	100.53	7
NACNW4R7M25V5X5.5TR13F	4.7		70.58	13
NACNW100M25V6.3X5.5TR13F	10		33.17	20
NACNW2R2M35V4X5.5TR13F	2.2	35Vdc	150.79	5.9
NACNW3R3M35V5X5.5TR13F	3.3		100.53	12
NACNW4R7M35V5X5.5TR13F	4.7		70.58	14
NACNW100M35V6.3X5.5TR13F	10		33.17	21
NACNW1R0M50V4X5.5TR13F	1.0	50Vdc	298.57	7
NACNW2R2M50V5X5.5TR13F	2.2		135.71	10
NACNW3R3M50V5X5.5TR13F	3.3		90.47	13
NACNW4R7M50V6.3X5.5TR13F	4.7		63.52	16
NACNW100M50V6.3X5.5TR13F	10		23.89	18
NACNW1R0M63V4X5.5TR13F	1.0		63	265.39
NACNW2R2M63V5X5.5TR13F	2.2	120.63		10
NACNW3R3M63V6.3X5.5TR13F	3.3	80.42		13
NACNW4R7M63V6.3X5.5TR13F	4.7	54.47		16

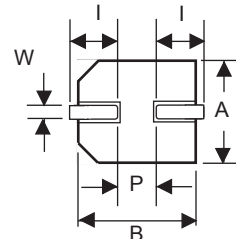
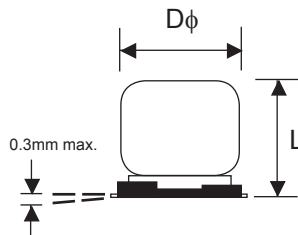
For Automotive Equipment see part number system



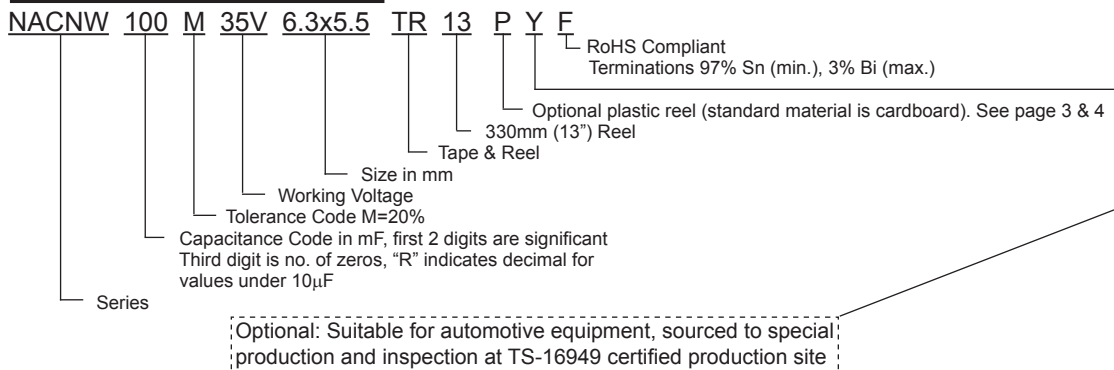
Surface Mount Aluminum Electrolytic Capacitors NACNW Series

DIMENSIONS (mm)

Case Size	D ϕ \pm 0.5	L max.	A \pm 0.2	I \pm 0.2	W	P \pm 0.2
4x5.5	4.0	5.5	4.3	1.8	0.5 ~ 0.8	1.0
5x5.5	5.0	5.5	5.3	2.1	0.5 ~ 0.8	1.4
6.3x5.5	6.3	5.5	6.6	2.5	0.5 ~ 0.8	2.2



PART NUMBER SYSTEM



PRECAUTIONS

Please review the notes on correct use, safety and precautions found at <https://www.niccomp.com/resource/files/aluminum/AlumApplInfoCautions.pdf>
 If in doubt or uncertainty, please review your specific application - process details with
 NIC's technical support personnel: tpmg@niccomp.com



Surface Mount Aluminum Electrolytic Capacitors NACNW Series

CARRIER TAPE

Case Size	A ±0.2	B ±0.2	C ±0.3	D ±0.1	P ±0.1	T ±0.2
4 x 5.5	4.7	4.7	12.0	5.5	8.0	5.8
5 x 5.5	5.7	5.7	12.0	5.5	12.0	5.8
6.3 x 5.5	7.0	7.0	16.0	7.5	12.0	5.8

TR13 330mm (13") CARDBOARD REEL

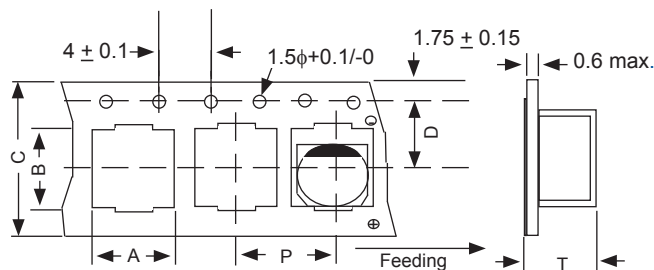
(See page 4 for plastic reel dimensions)

Case Size	W ±1	Quantity Per Reel
		13" Reel
4 x 5.5	14.0	1,500 pcs
5 x 5.5	14.0	1,000 pcs
6.3 x 5.5	18.0	1,000 pcs

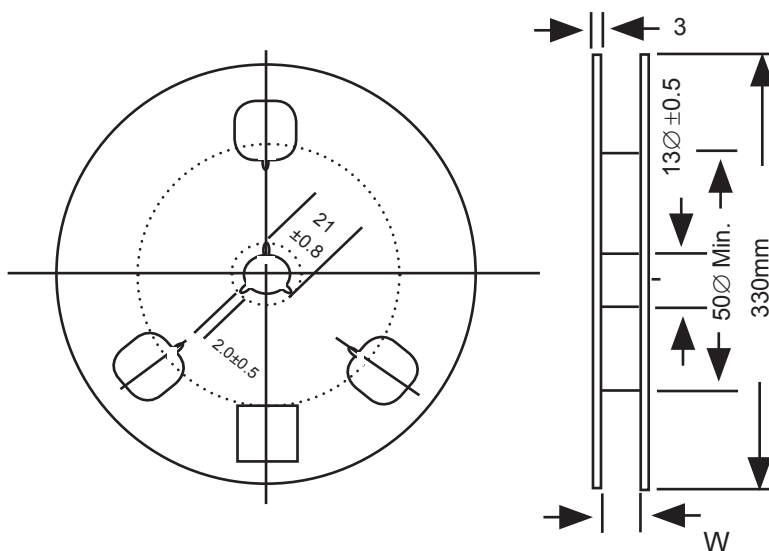
TAPING SPECIFICATIONS (mm)

- Both Leader and Trailer tape: Minimum 40mm (1.57") empty carrier tape pockets.
- Leader tape: Approximately 20cm of cover tape at leader.
- Connection: Maximum 3 connections (slices) per reel.

CARRIER

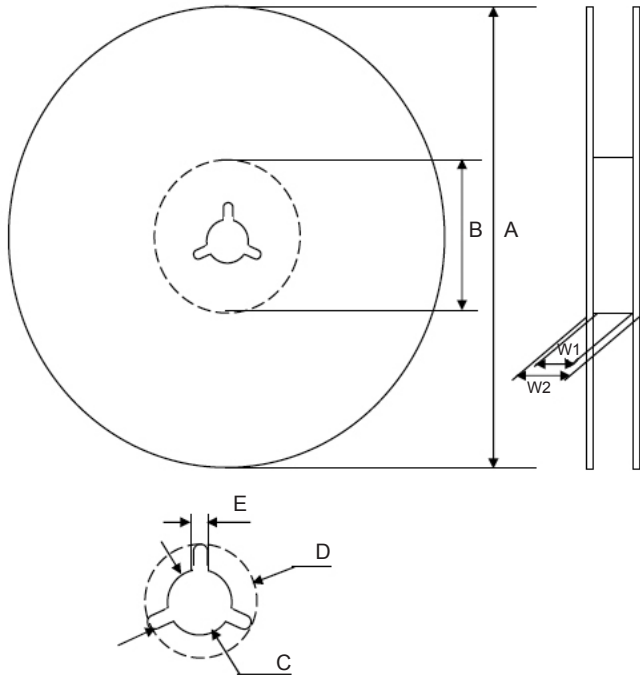


STANDARD REEL (CARDBOARD)



Surface Mount Aluminum Electrolytic Capacitors NACNW Series

Optional V-Chip 13" (330mm) Plastic Reels (TR13P suffix)



Dimensions (mm)

Case Size	Tape Width	W1	W2
4x5.5, 5x5.5	12.0	12.4 ~ 14.4	15.5 ~ 20.0
6.3x5.5	16.0	16.4 ~ 18.4	19.5 ~ 24.0

Case Size	Tape Width	A	B	C	D	E
4x5.5, 5x5.5	12.0	$\phi 330$	$\phi 50 \sim 105$	$\phi 13$	$\phi 21$	2.0
6.3x5.5	16.0	± 2.0		± 0.5	± 1.0	± 0.5

Color
Black or Blue

TR13P 330mm (13") PLASTIC REEL

(See page 4 for plastic reel dimensions)

Case Size	W ± 1	Quantity Per Reel
		13" Reel
4 x 5.5	14.0	1,500 pcs
5 x 5.5	14.0	1,000 pcs
6.3 x 5.5	18.0	1,000 pcs

