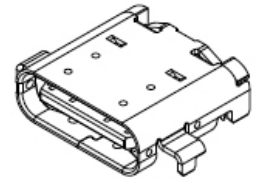


FEATURES

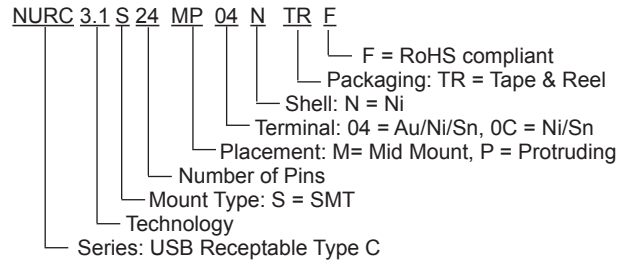
- TYPE C USB 3.1 CONNECTOR
- 10 GB/S DATA TRANSFER SPEED
- AVAILABLE WITH AU/NI/SN OR NI/SN PLATING
- OPERATING TEMPERATURE: -25°C ~ +85°C
- ROHS AND HALOGEN FREE COMPLIANT
- TAPE & REEL PACKAGING FOR AUTOMATIC PLACEMENT



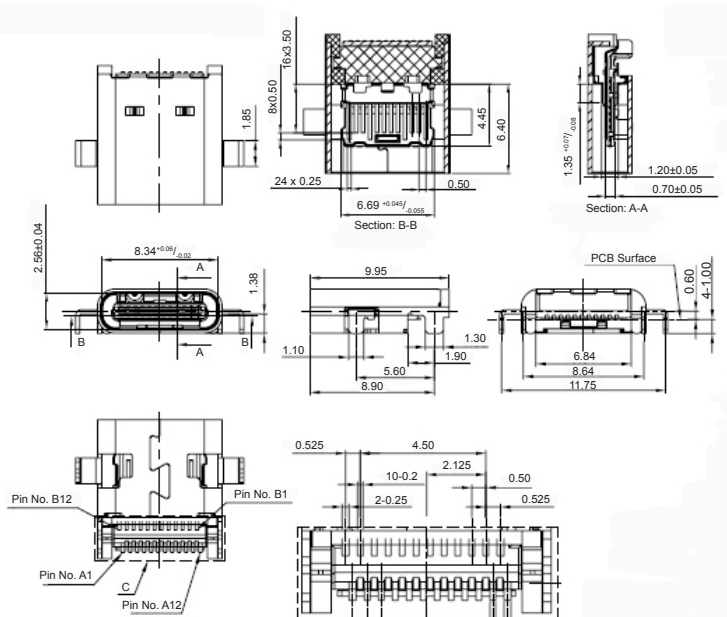
SPECIFICATIONS

Number of Pins	24
Contact/Connection Type	Surface Mount / Protruding
Housing Color	Black
Terminal Plating	Au/Ni/Sn or Ni/Sn
Shell Plating	Ni
Insertion Force	5N ~ 20N
Withdrawal Force	8N ~ 20N
Vbus Pin	5A
Ground Pin	6.25A
Operating Temperature	-25°C ~ +85°C
Vconn Pin	1.25A
Other Pins	0.25A
Withstand Voltage	100V (1min)
Insulation Resistance	100MΩ min.
Contact Resistance	40MΩ max.

PART NUMBERING SYSTEM



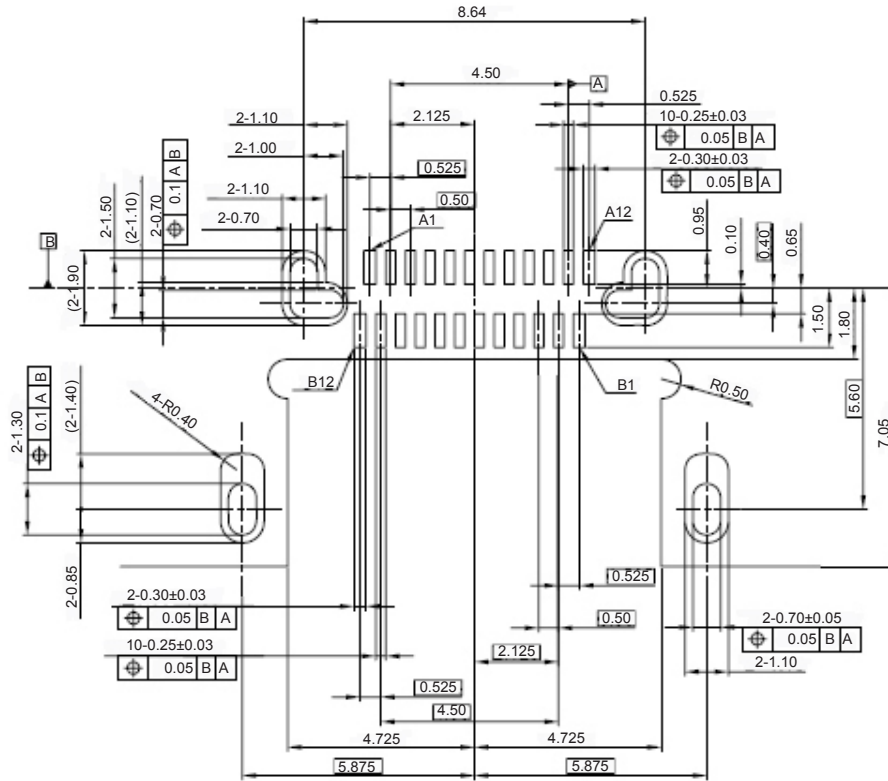
CONNECTOR DRAWING 1



MATERIALS

Qty	Specification	Part	Number
1	LCP	Molding A	1
12	Cooper Alloy	Contact-Long	2
12	Copper Alloy	Contact-Short	3
1	SUS	Mid-Plate	4
1	SUS	Top EMI Pad	5
1	SUS	Bottom EMI Pad	6
1	SUS	Shell	7
1	LCP	Molding B	8

CONNECTOR DRAWING 2



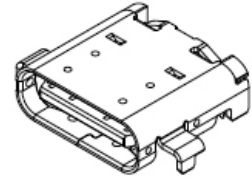
PIN ASSIGNMENTS

Pin Number	Signal Name	Description
A1	GND	Ground Return
A2	SSTX+	Superspeed Differential Pair
A3	SSTX-	
A4	VBUS	Power Bus
A5	CC1	Configuration Channel
A6	D+	USB 2.0 Differential Pair
A7	D-	
A8	RFU1	Reserved for Future Use
A9	VBUS	Bus Power
A10	SSRX-	Superspeed Differential Pair
A11	SSRX+	
A12	GND	Ground Return

Pin Number	Signal Name	Description
B12	GND	Ground Return
B11	SSTX+	Superspeed Differential Pair
B10	SSTX-	
B9	VBUS	Power Bus
B8	RFU2	Reserved for Future Use
B7	D-	USB 2.0 Differential Pair
B6	D+	
B5	CC2	Configuration Channel
B4	VBUS	Bus Power
B3	SSRX-	Superspeed Differential Pair
B2	SSRX+	
B1	GND	Ground Return

FEATURES

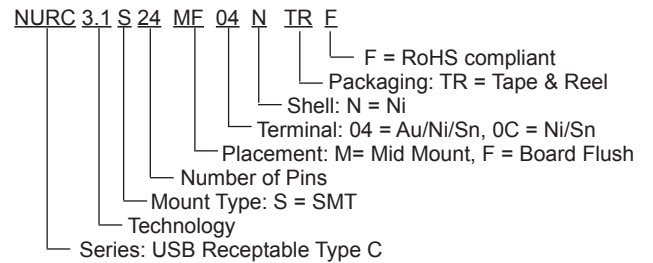
- TYPE C USB 3.1 CONNECTOR
- 10 GB/S DATA TRANSFER SPEED
- AVAILABLE WITH AU/NI/SN OR NI/SN PLATING
- OPERATING TEMPERATURE: -25°C ~ +85°C
- ROHS AND HALOGEN FREE COMPLIANT
- TAPE & REEL PACKAGING FOR AUTOMATIC PLACEMENT



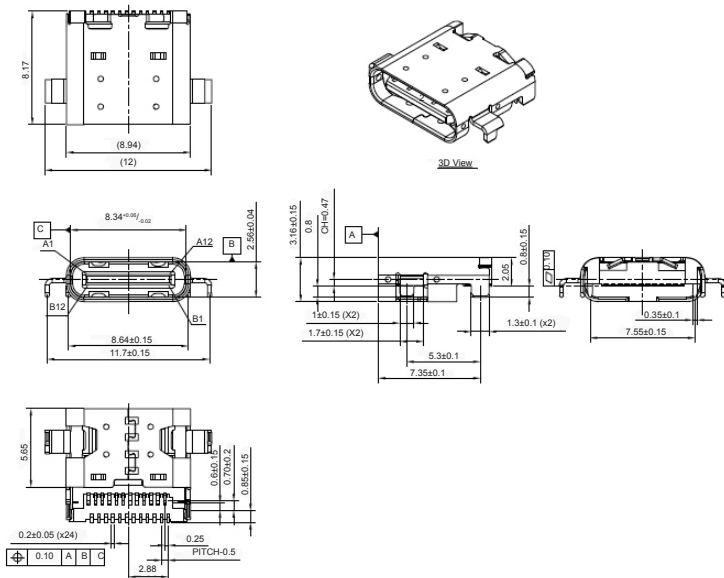
SPECIFICATIONS

Number of Pins	24
Contact/Connection Type	Surface Mount / Flush
Housing Color	Black
Terminal Plating	Au 3U, Au flash or Au 30U, Sn
Shell Plating	Ni
Insertion Force	20N max.
Withdrawal Force	8N ~ 20N
Vbus Pin	1.25A
Ground Pin	1.25A
Parallel	5.0A
Operating Temperature	-25°C ~ +85°C
Withstand Voltage	100V (1min)
Insulation Resistance	100MΩ min.
Contact Resistance	40MΩ max.

PART NUMBERING SYSTEM



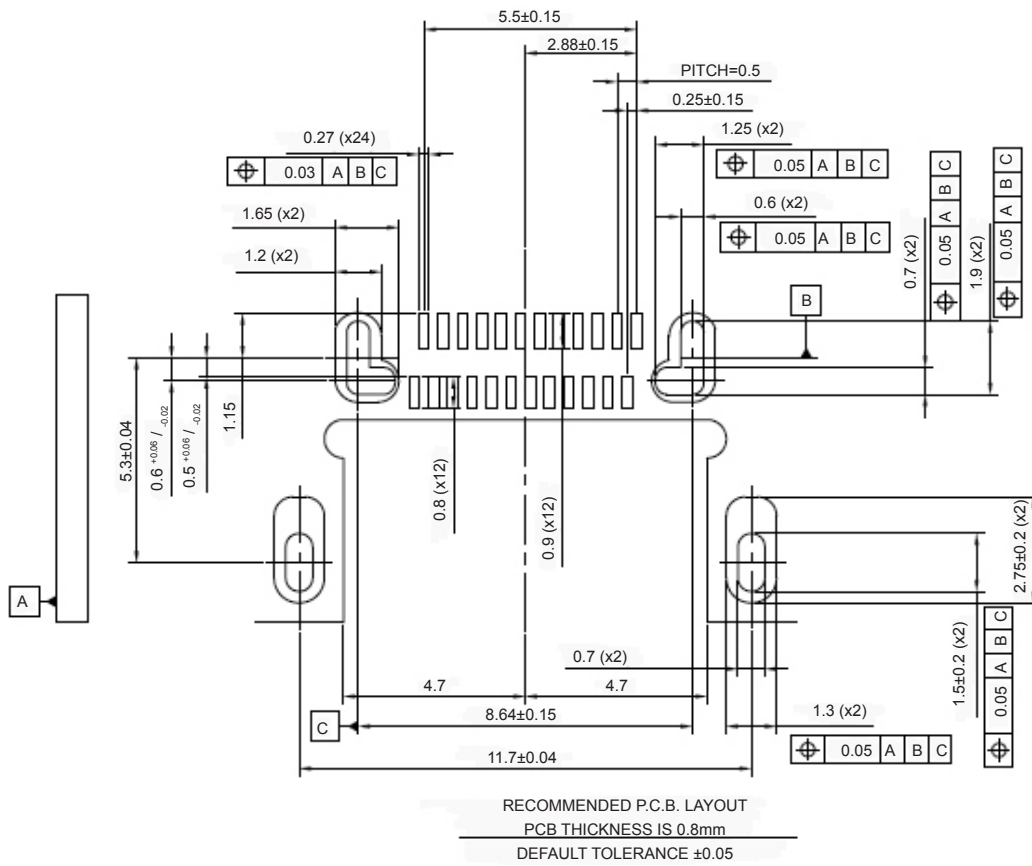
CONNECTOR DRAWING 1



MATERIALS

Qty	Material	Name	Number
12	Copper/Au Plating	UP Contact	1
12	Copper/Au Plating	DOWN Contact	2
1	Stainless Steel/Tin	Ground Plate	3
1	Thermoplastic UL94V-	Molding	4
1	Stainless Steel/Ni Plating	Shell	5

CONNECTOR DRAWING 2



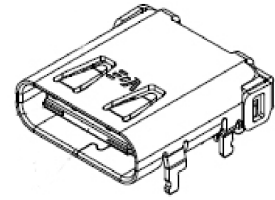
PIN ASSIGNMENTS

Pin Number	Signal Name	Description
A1	GND	Ground Return
A2	SSTX+	Superspeed Differential Pair
A3	SSTX-	
A4	VBUS	Power Bus
A5	CC1	Configuration Channel
A6	D+	USB 2.0 Differential Pair
A7	D-	
A8	SBU1	-
A9	VBUS	Bus Power
A10	SSRX-	Superspeed Differential Pair
A11	SSRX+	
A12	GND	Ground Return

Pin Number	Signal Name	Description
B12	GND	Ground Return
B11	SSTX+	Superspeed Differential Pair
B10	SSTX-	
B9	VBUS	Power Bus
B8	SBU2	-
B7	D-	USB 2.0 Differential Pair
B6	D+	
B5	CC2	Configuration Channel
B4	VBUS	Bus Power
B3	SSRX-	Superspeed Differential Pair
B2	SSRX+	
B1	GND	Ground Return

FEATURES

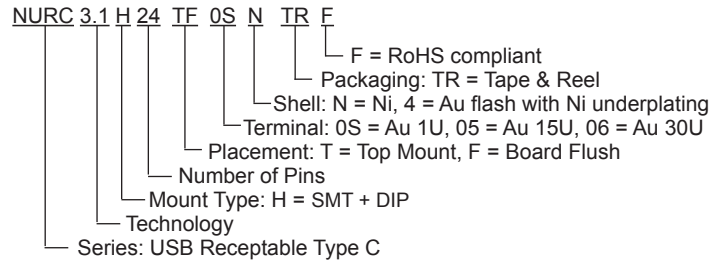
- TYPE C USB 3.1 CONNECTOR
- 10 GB/S DATA TRANSFER SPEED
- OPERATING TEMPERATURE: -25°C ~ +85°C
- ROHS AND HALOGEN FREE COMPLIANT
- TAPE & REEL PACKAGING FOR AUTOMATIC PLACEMENT



SPECIFICATIONS

Number of Pins	24
Contact/Connection Type	SMT + DIP / Flush
Housing Color	Black
Terminal Plating	Au 1U / Au 15U / Au 30U
Shell Plating	Ni or Ni with Au flash underplating
Insertion Force	5N ~ 20N
Withdrawal Force	8N ~ 20N
Vbus Pin	5A
Ground Pin	6.25A
Vconn	1.25A
Other Pins	0.25A
Operating Temperature	-25°C ~ +85°C
Withstand Voltage	100V (1min)
Insulation Resistance	100MΩ min.
Contact Resistance	40MΩ max.

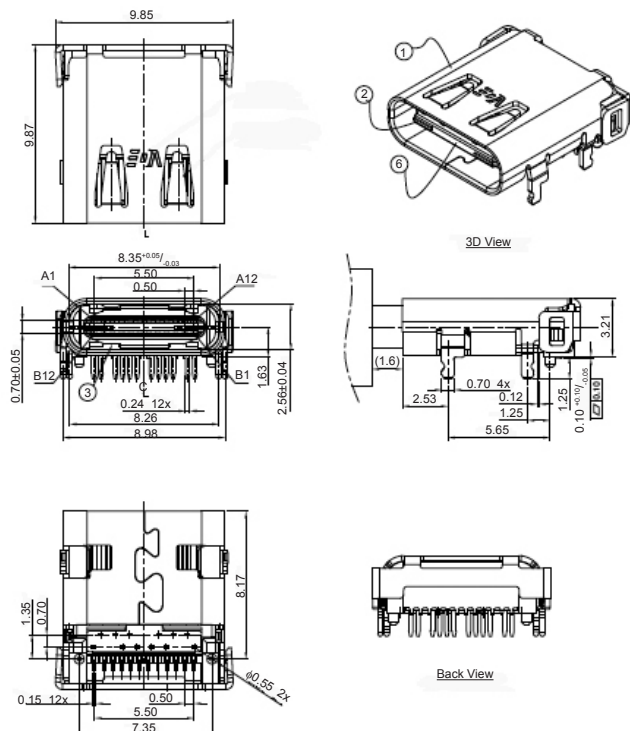
PART NUMBERING SYSTEM



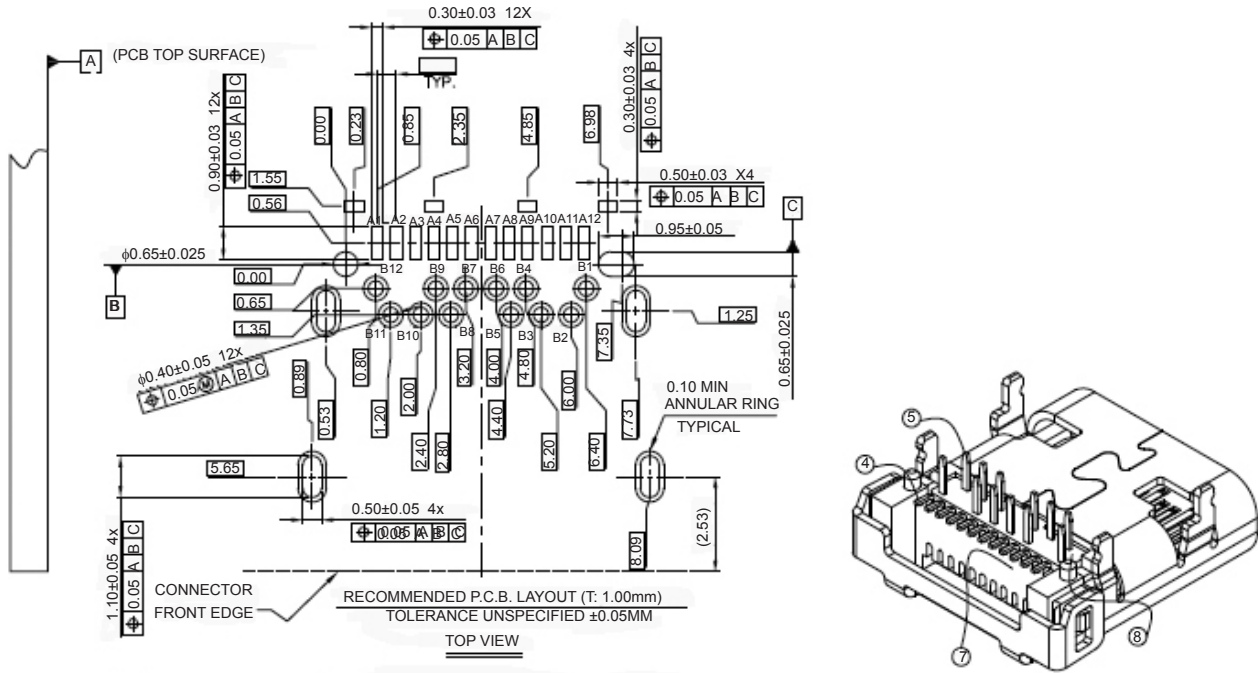
MATERIALS

Qty	Material	Name	Number
1	SUS	Shell	1
1	SUS	Latch	2
1	SUS	EMI	3
12	Copper Alloy	SMT Connector	4
12	Copper Alloy	DIP Connector	5
1	Thermoplastic UL94V-0	Latch Housing	6
1	Thermoplastic UL94V-0	SMT Housing	7
1	Thermoplastic UL94V-0	DIP Housing	8

CONNECTOR DRAWING 1



CONNECTOR DRAWING 2



PIN ASSIGNMENTS

Pin Number	Signal Name	Description
A1	GND	Ground Return
A2	SSTX+	Superspeed Differential Pair
A3	SSTX-	
A4	VBUS	Power Bus
A5	CC1	Configuration Channel
A6	D+	USB 2.0 Differential Pair
A7	D-	
A8	SBU1	-
A9	VBUS	Bus Power
A10	SSRX-	Superspeed Differential Pair
A11	SSRX+	
A12	GND	Ground Return

Pin Number	Signal Name	Description
B12	GND	Ground Return
B11	SSTX+	Superspeed Differential Pair
B10	SSTX-	
B9	VBUS	Power Bus
B8	SBU2	-
B7	D-	USB 2.0 Differential Pair
B6	D+	
B5	CC2	Configuration Channel
B4	VBUS	Bus Power
B3	SSRX-	Superspeed Differential Pair
B2	SSRX+	
B1	GND	Ground Return