





**NIC Components Corp.**

[www.niccomp.com](http://www.niccomp.com) | technical support: [tpmg@niccomp.com](mailto:tpmg@niccomp.com)

January 2017

Sub: Packaging (Reel Material) of **Surface Mount Aluminum Electrolytic Capacitors**

**Plastic Reel Option**

<b>Standard Reel: Cardboard Material</b>	<b>Option Reel: Plastic Material</b>
 <p data-bbox="428 1003 524 1031"><i>Example</i></p>	 <p data-bbox="1062 1016 1157 1043"><i>Example</i></p>

**Part Number Level Identifier:**

**Standard Reel: Cardboard Material: No PN identifier**

**Option Plastic Reel: PN identifier "P" as shown below**

**COTS Grade Part Numbers**

**PART NUMBER SYSTEM**

NACE 101 M 16V 6.3x5.5 TR 13 **P** F

RoHS Compliant  
 Optional plastic reel (standard material is cardboard). See page 5 & 6  
 13 = 13" (330mm) Reel 15 = 15" (380mm) Reel

**Automotive Grade Part Numbers**

**PART NUMBER SYSTEM**

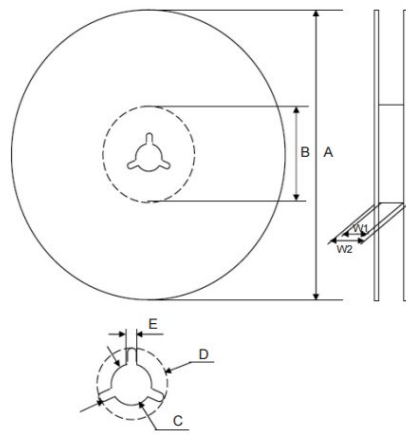
NATK 161 M 35V 8x10.8 N LB **P** W Y F

RoHS Compliant  
 Suitable for automotive equipment, sourced to special production and inspection at TS-16949 certified production site  
 W = Wide Terminations (Opt.)  
 Optional plastic reel (standard material is cardboard). See page 5 & 6  
 Termination Packaging Code: LS = 100% Sn 15" Reel  
 LB = Sn-Bi 15" Reel

# Plastic Reel: Specification

## Surface Mount Aluminum Electrolytic Capacitors

### Optional V-Chip 330mm Plastic Reels (TR13PF suffix)



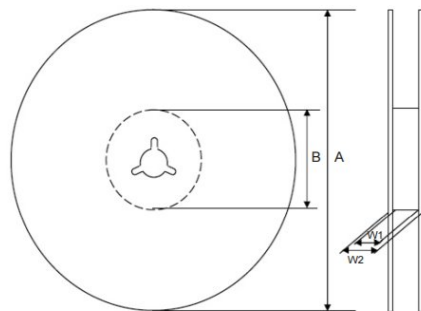
Dimensions (mm)

Case Diameter	Tape Width	W1	W2
4x6.3, 5x6.3	12.0	12.4 ~ 14.4	15.5 ~ 20.0
6.3x6.3, 6.3x8	16.0	16.4 ~ 18.4	19.5 ~ 24.0
8x10.5, 10x8, 10x10.5	24.0	24.4 ~ 26.4	27.5 ~ 32.0

Case Size	Tape Width	A	B	C	D	E
4x6.3, 5x6.3	12.0	φ330 ±2.0	φ50~105	φ13 ±0.5	φ21 ±1.0	2.0 ±0.5
6.3x6.3, 6.3x8	16.0					
8x10.5, 10x8, 10x10.5	24.0					

Color  
Black or Blue

### Optional V-Chip 380mm Plastic Reels (TR15PF suffix)



Dimensions (mm)

Case Diameter	Tape Width	W1	W2
4x6.3, 5x6.3	12.0	12.4 ~ 14.4	15.5 ~ 20.0
6.3x6.3, 6.3x8	16.0	16.4 ~ 18.4	19.5 ~ 24.0
8x10.5, 10x8, 10x10.5	24.0	24.4 ~ 26.4	27.5 ~ 32.0
12.5x14	32.0	32.4 ~ 35.0	36.2 ~ 38.4
16x17	44.0	44.4 ~ 47.0	48.2 ~ 50.4

Case Size	Tape Width	A	B	C	D	E
4x6.3, 5x6.3	12.0	φ330 ±2.0	φ50~105	φ13 ±0.5	φ21 ±1.0	2.0 ±0.5
6.3x6.3, 6.3x8	16.0					
8x10.5, 10x8, 10x10.5	24.0					
12.5x14	32.0					
16x17	44.0					

Color  
Black or Blue

Plastic reel option is shown on the following NIC product specifications:

- |         |        |           |
|---------|--------|-----------|
| ▪ NACC  | ▪ NASE | ▪ NAZU    |
| ▪ NACE  | ▪ NATK | ▪ NAZV    |
| ▪ NACEN | ▪ NATT |           |
| ▪ NACEW | ▪ NATU | ▪ NSPE-H  |
| ▪ NACH  | ▪ NAUJ | ▪ NSPE-HF |
| ▪ NACK  | ▪ NAWE | ▪ NSPE-HZ |
| ▪ NACKA | ▪ NAWP | ▪ NSPE-J  |
| ▪ NACL  | ▪ NAWR | ▪ NSPE-S  |
| ▪ NACNW | ▪ NAWS | ▪ NSPE-T  |
| ▪ NACS  | ▪ NAWT | ▪ NSPE-TF |
| ▪ NACV  | ▪ NAWU | ▪ NSPE-TZ |
| ▪ NACVF | ▪ NAYT | ▪ NSPE-Y  |
| ▪ NACX  | ▪ NAZH |           |
| ▪ NACY  | ▪ NAZJ |           |
| ▪ NACZ  | ▪ NAZK |           |
| ▪ NACZF | ▪ NAZT |           |

Prepared by NIC TPMG department: [tpmg@niccomp.com](mailto:tpmg@niccomp.com)