

# NIC PRODUCT PROFILE

## NFCC

### NFHC Series

Fast Acting Chip Fuses

### NFSC Series

Slow-Response Chip Fuses

PARTS IN  
NIC  
QUICK  
KIT



[www.NICcomp.com/QK](http://www.NICcomp.com/QK)

#### DESCRIPTION:

UL certified, non-resettable surface mount chip fuses built from a thick film construction in 0402 ~ 1206 sizes feature fast acting and slow-response types with voltage ratings up to 50V and current ratings up to 5A.

#### CHARACTERISTICS:

**Temperature Range** : -55°C ~ +125°C

**Current Ratings** : .2A ~ 5A

**Rated Voltages** : 24V ~ 50V

**Types** : Fast Acting (NFCC and NFHC)  
Slow Response (NFSC)

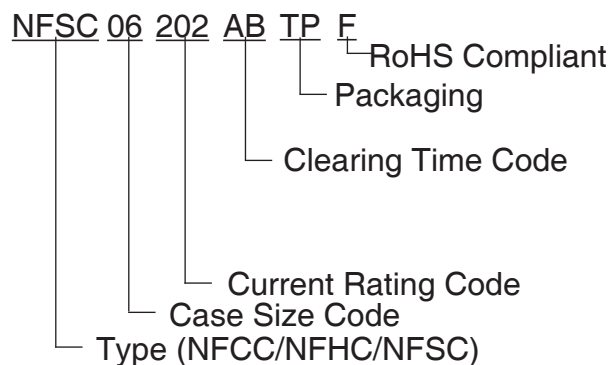
**UL and cUL Certified** : E302168

**Sizes**: 0402, 0603, 0805, 1206  
NSFC - 0603 Only

#### APPLICATIONS:

- PC Peripherals
- Battery chargers
- Point-Of-Sale
- Digital Audio / Video
- LCD modules

#### PART NUMBERING SYSTEM:



#### Competition

Competition	Replace
AVX	F_B, F_C, F_E, F_FA, F0612
BEL	C1Q, C2W
Bussman	FA, FF
Daito	KMD, KE
KOA	TF_AN, TF_AT, TF_SN, CCP2B CCP2e, TF_AT
Littlefuse	431, 434, 467, 494
Panasonic	EFBSD, ERBSE

[ Visit [www.niccomp.com](http://www.niccomp.com) for FULL Cross Reference List ]

#### Key Parameters - Substitutes & Selling Tips

- Cross & Replace based upon:
  - ... Fusing time: choosing the type of chip fuse is depended on the time required for the fuse to activate. For a fast response use NFCC and NFHC. For a slow, transient acceptable response use the NSFC
  - ... Current Rating: The actual current rating that will cause the fuse to activate
  - ... Voltage Ratings
- NIC Chip Fuses are recommended for Secondary Line applications with LESS than 50VDC operating voltages

#### NIC Specification Data Sheets @

<http://www.niccomp.com/catalog/nsfc.pdf>  
[http://www.niccomp.com/catalog/nfcc\\_nfhc.pdf](http://www.niccomp.com/catalog/nfcc_nfhc.pdf)



NSFC Series  
(0603 Only)

NSHC / NFCC Series  
(0402 ~ 1206)

**nic**®  
**NIC Components Corp.**