

Screw Terminal Aluminum Electrolytic Capacitors NSTEW Series

FEATURES

- General Purpose, 105°C Temperature Rating
- Available in Wide Range of High CV Values
- Long Life (2,000 hours) at Rated Temperature and Ripple Current

**RoHS
Compliant**



SPECIFICATIONS

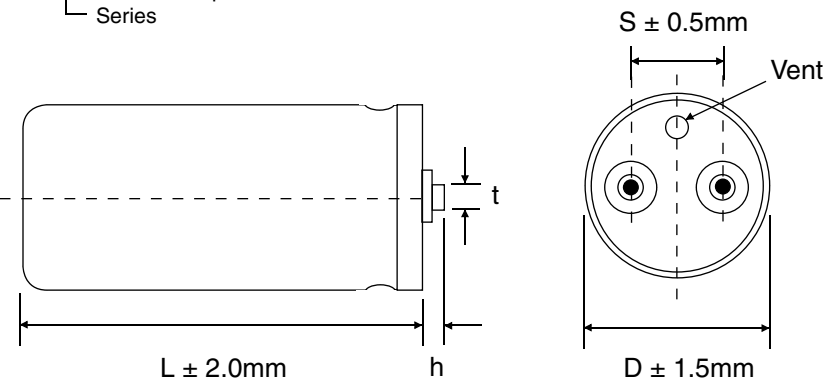
*See Part Number System for Details

Operating Temperature Range	-40°C ~ +105°C							
Rated Working Voltage Range	16 ~ 450Vdc							
Rated Capacitance Range	220μF ~ 1.0F							
Capacitance Tolerance	± 20% (M) at 120Hz, +20°C							
Max. Leakage Current After 5 Minutes (20°C)	$3\sqrt{C(\mu F)V}$ (μA)							
Surge Voltage	W.V. (Vdc)	16	25	35	50	63	80	100
	S.V. (Vdc)	20	32	44	63	79	100	125
	W.V. (Vdc)	250	350	450	-	-	-	-
	S.V. (Vdc)	300	400	500	-	-	-	-
Ripple Current Frequency Correction Factors	Voltage Rating	16 ~ 100Vdc						
	Frequency (Hz)	50	60	120	500	1K	10K	50K
	Multiplier @ 105°C	0.9	0.95	1.0	1.05	1.08	1.15	1.15
	Voltage Rating	250 ~ 450Vdc						
	Frequency (Hz)	50	60	120	500	1K	10K	50K
	Multiplier @ 105°C	0.75	0.8	1.0	1.2	1.25	1.4	1.4
Ripple Current Temperature Correction Factors	Temperature (°C)	≤ +45	+60	+70	+85	+105	-	-
	Multiplier	2.35	2.2	2.0	1.75	1.0	-	-
Load Life Test 2,000 Hours @ 105°C	Capacitance Change	Within ± 20% of initial measured value						
	Tan δ & ESR	Less than 200% of the specified maximum value						
	Leakage Current	Less than the specified maximum value						
Shelf Life Test No Load 1,000 Hours @ 105°C	Capacitance Change	Within ± 20% of initial measured value						
	Tan δ & ESR	Less than 200% of the specified maximum value						
	Leakage Current	Less than the specified maximum value						

PART NUMBER SYSTEM

NSTEW 474 M 16V 76X104 M F

- NSTEW: Series
- 474: Capacitance Code
- M: Tolerance Code
- 16V: Voltage Rating
- 76X104: Case Size (mm)
- M: Case Size (mm)
- F: Optional Terminal Code (Pb-free/RoHS compliant)



Terminal Specifications (mm)				
Thread	Code	Thread Depth	h ± 0.79	t ± 0.25
10-32 NF -2B*	-	9.5	6.4	8.0
10-32 NF-2B	L	5.5	1.6	8.0
M5	M	9.5	6.4	8.0
1/4-28 NF-2B	H	11.9	6.4	17.4
1/4-28 NF-2B	J	8.7	2.8	17.4
M6	X	11.9	6.4	17.4
M6	Y	8.7	2.8	17.4
Can Diameter			Terminal Spacing	
35			12.7 ± 0.5	
52			21.9 ± 0.5	
64			28.6 ± 0.5	
76			31.8 ± 0.5	

Screw Terminal Aluminum Electrolytic Capacitors NSTEW Series

STANDARD VALUES AND CASE SIZES (mm)

W.V. (Vdc)	Cap. (μF)	ESR (mΩ) (20°C/120Hz)	Case Size DxL (mm)	Max. Ripple Current (Arms/105°C, 120Hz)
16	22,000	43.5	35 x 41	4.4
	33,000	30.1	35 x 54	5.6
	47,000	22.1	35 x 66	6.9
	68,000	19.1	35 x 92	8.9
	82,000	16.3	35 x 104	9.9
	100,000	12.1	52 x 66	11.7
	120,000	10.6	52 x 79	13.0
	150,000	9.20	52 x 92	14.5
	180,000	8.20	64 x 79	17.0
	220,000	7.30	64 x 92	18.6
	270,000	6.50	64 x 104	20.2
	330,000	5.90	76 x 79	22.3
	390,000	5.50	76 x 92	23.7
	470,000	5.10	76 x 104	25.2
620,000	4.70	76 x 142	28.3	
1,000,000	4.10	76 x 218	34.0	

W.V. (Vdc)	Cap. (μF)	ESR (mΩ) (20°C/120Hz)	Case Size DxL (mm)	Max. Ripple Current (Arms/105°C, 120Hz)
35	18,000	33.7	35 x 41	5.5
	22,000	28.1	35 x 54	6.4
	33,000	19.7	52 x 48	8.7
	47,000	14.7	52 x 66	10.7
	68,000	11.1	52 x 79	12.8
	82,000	9.70	52 x 92	14.1
	100,000	8.50	64 x 79	16.6
	120,000	7.60	64 x 92	18.1
	150,000	6.70	76 x 79	20.8
	180,000	6.00	76 x 92	22.3
	220,000	5.50	76 x 104	23.8
	270,000	5.00	76 x 117	25.4
	330,000	4.60	76 x 142	27.5
	560,000	3.90	76 x 218	33.2

W.V. (Vdc)	Cap. (μF)	ESR (mΩ) (20°C/120Hz)	Case Size DxL (mm)	Max. Ripple Current (Arms/105°C, 120Hz)
63	5,600	65.8	35 x 41	3.8
	8,200	44.9	35 x 54	4.7
	10,000	36.8	35 x 66	5.5
	12,000	30.7	35 x 79	6.2
	15,000	29.5	52 x 48	7.6
	18,000	24.6	52 x 54	8.4
	22,000	20.1	52 x 66	9.6
	33,000	13.4	52 x 79	11.6
	47,000	10.1	64 x 79	14.9
	56,000	8.90	64 x 92	16.3
	82,000	6.80	76 x 79	19.5
	100,000	6.00	76 x 104	21.6
	120,000	5.40	76 x 117	23.0
	150,000	4.80	76 x 142	25.0
220,000	4.00	76 x 218	30.0	

W.V. (Vdc)	Cap. (μF)	ESR (mΩ) (20°C/120Hz)	Case Size DxL (mm)	Max. Ripple Current (Arms/105°C, 120Hz)
25	22,000	30.9	35 x 54	4.5
	33,000	22.0	35 x 66	6.6
	47,000	16.7	52 x 48	8.9
	68,000	12.8	52 x 66	11.0
	100,000	10.0	52 x 79	13.1
	120,000	9.00	64 x 79	16.1
	150,000	8.10	64 x 92	17.7
	180,000	7.40	64 x 104	19.1
	220,000	6.80	76 x 79	21.2
	270,000	6.30	76 x 92	22.8
	330,000	5.90	76 x 104	24.4
	390,000	5.60	76 x 117	25.8
	470,000	5.40	76 x 142	27.8
	750,000	4.90	76 x 218	33.2

W.V. (Vdc)	Cap. (μF)	ESR (mΩ) (20°C/120Hz)	Case Size DxL (mm)	Max. Ripple Current (Arms/105°C, 120Hz)
50	8,200	53.9	35 x 41	4.1
	12,000	36.8	35 x 54	5.1
	15,000	29.5	35 x 66	5.9
	18,000	24.6	35 x 79	6.8
	22,000	20.1	52 x 48	8.2
	33,000	13.4	52 x 66	10.3
	47,000	10.3	52 x 92	12.7
	56,000	9.10	52 x 104	13.9
	82,000	7.20	64 x 92	17.2
	100,000	6.40	76 x 79	19.6
	120,000	5.80	76 x 92	21.1
	150,000	5.30	76 x 104	22.7
	180,000	4.90	76 x 130	24.7
	200,000	4.70	76 x 142	25.7
330,000	4.00	76 x 218	31.1	

W.V. (Vdc)	Cap. (μF)	ESR (mΩ) (20°C/120Hz)	Case Size DxL (mm)	Max. Ripple Current (Arms/105°C, 120Hz)
100	2,200	134	35 x 41	2.4
	3,300	89.3	35 x 54	3.1
	4,700	62.7	35 x 66	4.0
	5,600	52.6	52 x 48	5.2
	7,500	39.3	52 x 54	6.1
	10,000	29.5	52 x 66	7.3
	12,000	24.6	52 x 79	8.2
	15,000	19.6	52 x 92	9.4
	18,000	20.5	64 x 79	11.6
	22,000	16.7	64 x 92	13.0
	33,000	15.6	76 x 79	16.8
	47,000	11.0	76 x 104	20.0
	56,000	9.90	76 x 130	22.1
	68,000	7.60	76 x 142	23.9
100,000	4.10	76 x 218	29.7	

Screw Terminal Aluminum Electrolytic Capacitors NSTEWS Series

STANDARD VALUES AND CASE SIZES (mm)

W.V. (Vdc)	Cap. (μ F)	ESR (m Ω) (20°C/120Hz)	Case Size DxL (mm)	Max. Ripple Current (Arms/105°C, 120Hz)
250	560	263	35 x 41	1.3
	820	180	35 x 54	1.7
	1,000	147	35 x 66	2.0
	1,200	123	35 x 79	2.3
	1,500	98.0	52 x 48	2.9
	1,800	82.0	52 x 54	3.3
	2,200	67.0	52 x 66	3.8
	3,300	45.0	52 x 92	5.0
	4,700	31.0	64 x 79	6.7
	5,600	26.0	64 x 92	7.5
	6,800	22.0	64 x 104	8.5
	8,200	20.0	76 x 92	10.2
	10,000	16.0	76 x 104	11.5
	12,000	14.0	76 x 117	13.0
	15,000	11.0	76 x 142	15.2
22,000	8.00	76 x 218	21.0	

W.V. (Vdc)	Cap. (μ F)	ESR (m Ω) (20°C/120Hz)	Case Size DxL (mm)	Max. Ripple Current (Arms/105°C, 120Hz)
350	390	447	35 x 54	1.1
	560	378	35 x 66	1.4
	820	180	52 x 48	2.1
	1,000	147	52 x 54	2.3
	1,200	123	52 x 66	2.7
	1,500	98.0	52 x 79	3.1
	1,800	82.0	52 x 92	3.6
	2,200	67.0	52 x 104	4.1
	3,300	45.0	64 x 92	5.6
	4,700	34.0	76 x 92	7.7
	5,600	29.0	76 x 104	8.6
	6,800	24.0	76 x 117	9.8
	8,200	20.0	76 x 142	11.2
	12,000	15.0	76 x 218	15.5

W.V. (Vdc)	Cap. (μ F)	ESR (m Ω) (20°C/120Hz)	Case Size DxL (mm)	Max. Ripple Current (Arms/105°C, 120Hz)
450	220	670	35 x 41	0.8
	270	546	35 x 54	1.0
	330	447	35 x 66	1.2
	470	314	52 x 48	1.6
	560	263	52 x 54	1.8
	820	180	52 x 66	2.3
	1,000	147	52 x 79	2.7
	1,200	123	52 x 92	3.1
	1,500	98.0	64 x 79	3.8
	1,800	82.0	64 x 92	4.3
	2,200	67.0	64 x 104	4.9
	3,300	49.0	76 x 92	6.4
	4,700	34.0	76 x 130	8.3
	5,600	29.0	76 x 142	9.3