

EPOXY COATED, NON-INDUCTIVE, EXTENDED FOIL FILM CAPACITORS, RADIAL LEAD

FEATURES

- EXTENDED FOIL, NON-INDUCTIVE CONSTRUCTION
- LOW DISSIPATION FACTOR
- EXCELLENT MOISTURE RESISTANCE
- HIGH INSULATION RESISTANCE
- SMALL SIZE AND ECONOMICALLY PRICED

SPECIFICATIONS

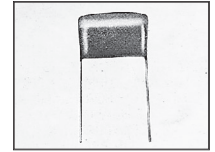
Operating Temperature	-40°C to +85°C
Rated Voltage (VDC)	50V, 100V, 200V, 400V 600V
Capacitance Range	0.001 to 0.47 μ F
Capacitance Tolerance	\pm 10% (K), \pm 5% (J)
Insulation Resistance	50,000 Megohm Min.
Dissipation Factor	\leq 0.0075 (at 1 KHZ)
Dielectric Strength	250% of Rated Voltage for 5 Seconds

RoHS

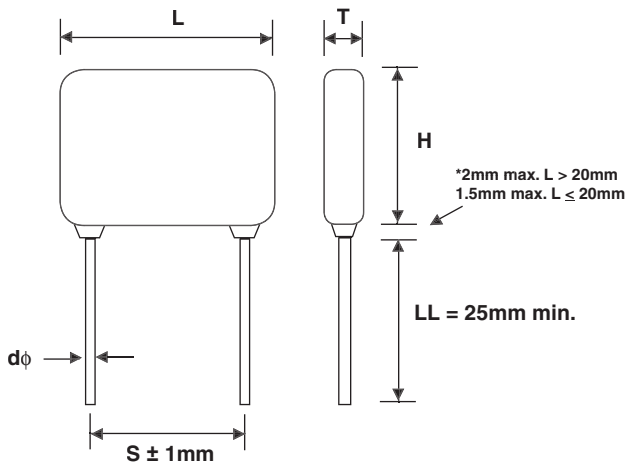
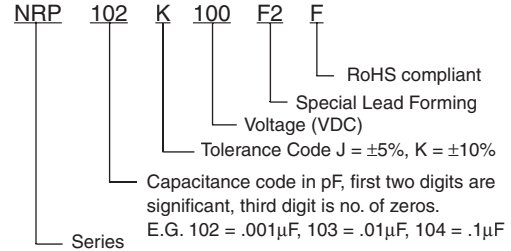
Compliant

includes all homogeneous materials

*See Part Number System for Details



PART NUMBER SYSTEM



LEAD SPACING AND DIAMETER (mm)

L	13.0	18.0	26.0	31.0
S	10.0	15.0	22.5	27.5
d ϕ	0.6	0.8	0.8	0.8

SPECIAL LEAD FORMING AVAILABLE,
PLEASE CONSULT FACTORY

STANDARD PRODUCTS AND CASE SIZE TABLE (mm)

Cap. (μ F)	Working Voltage														
	50VDC/30VAC			100VDC/63VAC			200VDC/63VAC			400VDC/200VAC			600VDC/200VAC		
	L	T	H	L	T	H	L	T	H	L	T	H	L	T	H
0.001	10.0	5.0	9.0	*	5.0	9.0	*	5.0	9.0	13.0	5.5	9.5	13.0	5.5	9.5
0.0015	10.0	5.0	9.0	*	5.0	9.0	*	5.0	9.0	13.0	5.5	9.5	13.0	5.5	9.5
0.0022	10.0	5.0	9.0	*	5.0	9.0	*	5.0	9.0	13.0	5.5	9.5	13.0	5.5	9.5
0.0033	10.0	5.0	9.0	*	5.0	9.0	*	5.0	9.0	13.0	5.5	9.5	13.0	6.5	9.5
0.0047	10.0	5.0	9.0	*	5.0	9.0	*	5.0	9.0	13.0	6.0	10.0	13.0	7.5	11.5
0.0068	10.0	5.0	9.0	*	5.0	9.0	*	5.0	9.0	13.0	6.5	10.5	13.0	8.0	13.0
0.01	10.0	5.0	9.0	*	5.0	9.0	*	5.0	9.0	13.0	7.0	11.0	19.0	8.5	11.5
0.015	10.0	5.5	9.0	*	5.5	9.5	*	5.5	9.5	13.0	7.5	11.5	19.0	9.0	15.0
0.022	*	5.5	10.0	*	6.0	10.0	13.0	6.0	10.0	19.0	8.0	11.5	19.0	9.5	17.5
0.033	13.0	6.0	10.0	13.0	6.0	10.5	13.0	6.5	10.5	19.0	8.5	14.0	26.0	9.0	15.5
0.047	13.0	6.5	10.5	13.0	6.5	11.0	19.0	7.0	11.0	19.0	9.5	15.5	26.0	10.0	16.5
0.068	13.0	7.0	11.5	13.0	7.0	12.0	19.0	7.5	11.5	26.0	9.0	15.5	31.0	10.0	17.0
0.1	15.0	7.5	12.5	15.0	7.5	12.5	19.0	8.0	13.0	26.0	10.5	17.5	31.0	12.0	19.0
0.15	19.0	8.0	15.0	19.0	8.0	15.0	19.0	9.0	16.0	31.0	11.0	19.0			
0.22	26.0	8.0	15.0	26.0	7.5	15.0	26.0	9.0	16.5	31.0	13.0	22.0			
0.33	26.0	10.0	16.5	26.0	10.0	16.5	31.0	10.0	18.5						
0.47	26.0	12.5	18.5	26.0	10.0	17.5	31.0	12.5	22.0						

* THESE PARTS ARE AVAILABLE WITH BODY LENGTH OF 10.0mm (S=7.5mm) OR 13.0mm (S=10.0mm).
PLEASE SPECIFY PREFERRED BODY LENGTH AT TIME OF QUOTE/ORDER.
FOR BODY LENGTH OF 10.0mm ADD "L10MM" TO PART NUMBER (EXAMPLE: "NRP103K100L10MM").
FOR BODY LENGTH OF 13.0mm ADD "L13MM" TO PART NUMBER (EXAMPLE: "NRP103K100L13MM").

