

Interference Suppression Capacitor

NPX Series

MOLDED BOX CONSTRUCTION, SUPPRESSION CAPACITOR, RADIAL LEAD

FEATURES

- UL, CSA, VDE, SEV, SEMKO, NEMKO, DEMKO, FIMKO, CE APPROVALS
- "X2" SAFETY CAP CLASSIFICATION FOR USE IN ACROSS-THE-LINE APPLICATIONS
- METALLIZED POLYPROPYLENE FILM
- NON-INDUCTIVE & SELF-HEALING CONSTRUCTION
- RoHS COMPLIANT & Pb-FREE FINISH
- MOLDED CASE MEETS UL-94V-0 FLAMMABILITY TEST

**RoHS
Compliant**
includes all homogeneous materials

*See Part Number System for Details



STANDARD VALUES AND CASE SIZE (mm)

Cap. Value (μF)	Capacitance Code	L±0.5	T±0.5	H±0.5	LS±0.5#1	LD±0.08		
0.001	102	13.0	5.0	11.0	10.0	0.6		
0.0012	122	13.0	5.0	11.0				
0.0015	152	13.0	5.0	11.0				
0.0018	182	13.0	5.0	11.0				
0.0022	222	13.0	5.0	11.0				
0.0027	272	13.0	5.0	11.0				
0.0033	332	13.0	5.0	11.0				
0.0039	392	13.0	5.0	11.0				
0.0047	472	13.0	5.0	11.0				
0.0056	562	13.0	5.0	11.0				
0.0068	682	13.0	5.0	11.0				
0.0082	822	13.0	5.0	11.0				
0.01	103	13.0	5.0	11.0	15.0	0.8		
		18.0	5.0	11.0				
0.012	123	18.0	5.0	11.0				
0.015	153	18.0	5.0	11.0				
0.018	183	18.0	5.0	11.0				
0.022	223	13.0	5.0	11.0			10.0	0.6
		18.0	5.0	11.0			15.0	0.8
0.027	273	13.0	5.0	11.0			10.0	0.6
		18.0	5.0	11.0			15.0	0.8
0.033	333	13.0	5.0	11.0			10.0	0.6
		18.0	5.0	11.0	15.0	0.8		
0.039	393	18.0	5.0	11.0	15.0	0.8		
0.047	473	13.0	5.0	11.0	10.0	0.6		
		18.0	5.0	11.0	15.0	0.8		
0.056	563	13.0	5.0	11.0	10.0	0.6		
		18.0	5.0	11.0	15.0	0.8		
0.068	683	13.0	5.0	11.0	10.0	0.6		
		18.0	5.0	11.0	15.0	0.8		
0.082	823	13.0	6.0	12.0	10.0	0.6		
		18.0	6.0	12.0	15.0	0.8		
0.1	104	13.0	6.0	12.0	10.0	0.6		
		18.0**	5.0	11.0	15.0	0.8		
		18.0	6.0	12.0				
0.12	124	18.0*	6.0	12.0				
		18.0*	7.5	13.5				
0.15	154	18.0*	6.2	13.5				
0.18	184	18.0*	8.5	14.5				

Miniature Version - Add "M" to part number suffix

**Alternate Miniature Version - Add "M2" to part number suffix

*These value are not available tape & box

#1 - ±0.4mm tolerance available special order

Meets the requirements of DIN EN132400 (VDO565 Teil 101):1999-06, IEC60384-14:1993-07, Table II +A1:1995-06, and EN132400, UL1414, UL1283 AND CSA C22.2 No. 1 & 2

SPECIFICATIONS

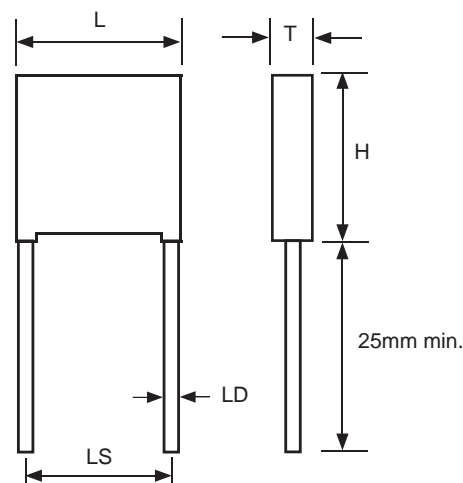
Operating Temperature	-40°C ~ +100°C
Rated Voltage	250VAC/275VAC*
Capacitance Range	0.001μF ~ 1.0μF
Capacitance Tolerance	±10% (K), ±20% (M)
Insulation Resistance (min.)	C < 0.33μF IR ≥ 15,000 Megohm C ≥ 0.33μF IR ≥ 5,000 Megohm
Dissipation Factor	< 0.1% max. @ 1KHz/25°C
Dielectric Strength	2000VDC (1414VAC rms) for 1 second

*250 VAC for UL & CSA

275 VAC for VDE, SEV, SEMKO, NEMKO, DEMKO, FIMKO, CE

DV/DT RATINGS

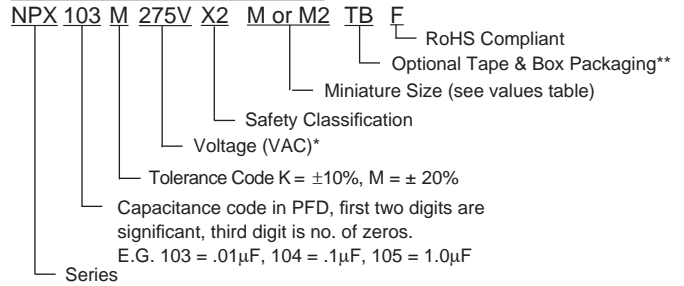
Capacitance Value (μF)	DV/DT (V/μS)
0.001	1,000
0.0015	600
0.0022 ~ 0.0047	450
0.0068 ~ 0.022	300
0.033 ~ 0.047	200
0.068 ~ 1.0	100



STANDARD VALUES AND CASE SIZE (mm)

Cap. Value (μF)	Capacitance Code	L±0.5	T±0.5	H±0.5	LS±0.5#1	LD±0.08
0.22	224	18.0*	8.5	14.5	15	0.8
		18.0**	10.0	16.0		
		26.5*	7.0	16.5	22.5	
0.27	274	26.5*	8.5	17.0		
0.33	334	18.0*	10.0	16.0	15.0	
		26.5*	8.5	17.0	22.5	
0.39	394	26.5*	10.0	19.0	22.5	
0.47	474	18.0*	10.0	16.0	15.0	
		26.5**	10.0	19.0	22.5	
		32.0*	11.0	20.0	27.5	
0.56	564	32.0*	11.0	20.0		
0.68	684	26.5*	10.0	19.0	22.5	
		32.0*	11.0	20.0	27.5	
0.82	824	32.0*	13.0	22.0		
1.0	105	26.5*	12.5	21.5	22.5	
		32.0*	13.0	22.0	27.5	

PART NUMBER SYSTEM



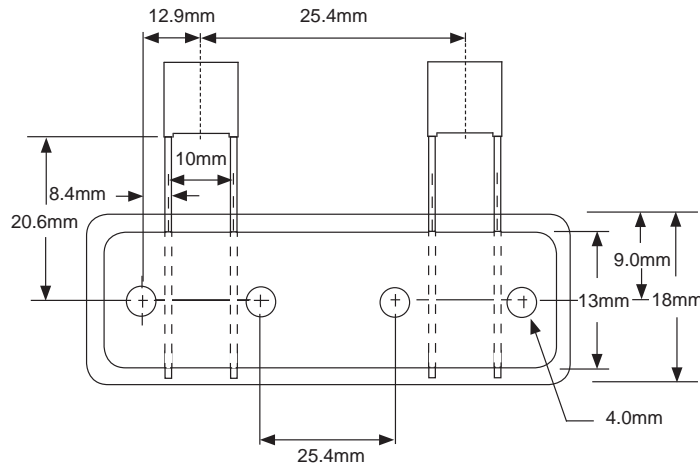
**Tape & Box available for values up to 0.1μF with a lead-space of 10mm and 15mm

Miniature Version - Add "M" to part number suffix

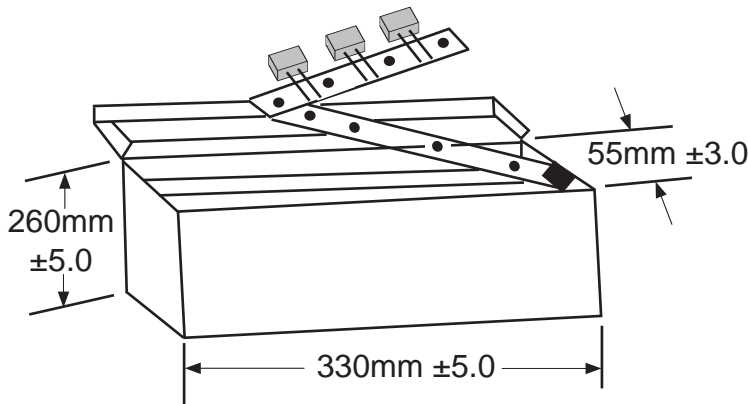
**Alternate Miniature Version - Add "M2" to part number suffix

*These value are not available tape & box
#1 - ±0.4mm tolerance available special order

AMMO PACK TAPING DIMENSIONS



AMMO PACK BOX DIMENSIONS



PACKAGING QUANTITIES

Ammo Pack:
10mm LS = 500/Box
15mm LS = 350/Box

Bulk Packaging:
0.001μF ~ 0.12μF/500/Bag
0.15μF ~ 0.18μF/300/Bag
0.22μF ~ 0.27μF/250/Bag
0.33μF/200/Bag
0.39μF ~ 0.47μF*/150/Bag
0.47μF ~ 1.0μF/100/Bag
*Mini-size