

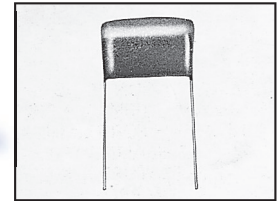
# Metalized Polypropylene Film Capacitors

NPRM Series

EPOXY COATED, NON-INDUCTIVE, METALLIZED POLYPROPYLENE FILM CAPACITORS, RADIAL LEAD

**RoHS  
Compliant**

includes all homogeneous materials



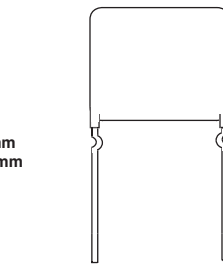
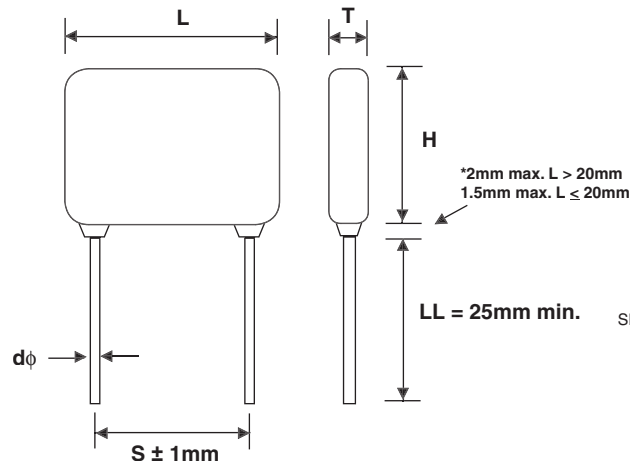
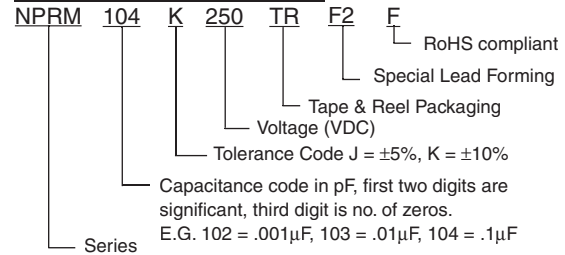
**FEATURES**

- HIGH RELIABILITY AND SELF-HEALING PERFORMANCE
- LOW DISSIPATION FACTOR
- RECOMMENDED FOR HIGH FREQUENCY COUPLING AND DECOUPLING CIRCUITS (E.G. S-CURVE COMPENSATING CIRCUIT)

**SPECIFICATIONS**

Operating Temperature	-40°C to +85°C
Rated Voltage (VDC)	100V, 250V, 400V 630V
Capacitance Range	0.01 to 10 $\mu$ F
Capacitance Tolerance	$\pm$ 5% (J), $\pm$ 10% (K)
Insulation Resistance(Min.)	C<0.33 $\mu$ F IR $\geq$ 30,000 Megohm C $\geq$ 0.33 $\mu$ F IR $\geq$ 10,000 Megohm/ $\mu$ F
Dissipation Factor	$\leq$ 0.002 (at 1 KHZ) (Typical 0.001) $\leq$ 0.002 (at 10 KHZ) For 0.01 < C $\leq$ 0.1 $\mu$ F $\leq$ 0.003(at 10 KHZ) For 0.1 < C $\leq$ 1.0 $\mu$ F
Dielectric Strength	150% of Rated Voltage for 5 Seconds

**PART NUMBER SYSTEM**



SPECIAL LEAD FORMING AVAILABLE, PLEASE CONSULT FACTORY

**LEAD SPACING AND DIAMETER(mm)**

L	13.0	18.0	26.0	31.0
S	10.0	15.0	22.5	27.5
d $\phi$	0.6	0.8	0.8	0.8

**STANDARD PRODUCTS AND CASE SIZE TABLE (mm)**

Cap( $\mu$ F)	Working Voltage											
	100VDC/63VAC			250VDC/220VAC			400VDC/250VAC			630VDC/300VAC		
	L	T	H	L	T	H	L	T	H	L	T	H
0.01	10.0	5.5	9.0	13.0	5.0	9.0	13.0	5.0	9.0	13.0	6.5	11.5
0.015	10.0	5.5	9.0	13.0	6.0	9.5	13.0	6.0	9.5	13.0	7.5	12.0
0.022	10.0	6.0	9.5	13.0	5.0	9.0	13.0	5.5	10.5	13.0	9.0	13.5
0.033	10.0	6.0	9.5	13.0	5.5	9.0	13.0	7.0	11.0	18.0	8.0	14.0
0.047	13.0	6.0	10.5	13.0	6.0	10.0	13.0	7.5	12.5	18.0	8.5	13.5
0.068	13.0	6.5	11.0	13.0	6.0	11.0	18.0	6.5	12.5	18.0	9.5	15.5
0.1	13.0	6.5	11.0	13.0	7.0	11.0	18.0	7.5	13.5	26.0	8.5	15.5
0.15	13.0	7.0	11.0	18.0	7.0	12.0	26.0	7.5	14.5	26.0	9.5	17.5
0.22	18.0	6.5	12.0	18.0	7.5	12.5	26.0	8.5	15.5	31.0	10.0	17.0
0.33	18.0	7.5	14.0	18.0	8.5	14.0	26.0	10.0	17.5	31.0	13.0	21.5
0.47	18.0	8.5	15.0	26.0	8.5	15.0	31.0	10.0	18.0	31.0	15.5	24.5
0.68	26.0	9.0	16.0	26.0	9.5	17.0	31.0	12.5	21.5	31.0	17.5	27.0
1.0	26.0	11.0	17.5	26.0	12.0	20.5	31.0	15.0	24.0			
1.5	26.0	13.0	19.0	31.0	13.0	20.5	31.0	17.5	26.5			
2.2	31.0	13.0	20.0	31.0	15.0	24.5						
3.3	31.0	15.0	21.5	31.0	17.0	26.0						
4.7	31.0	17.0	23.0	31.0	19.0	28.0						
6.8	31.0	21.0	25.0	42.0	19.0	33.0						
8.2	31.0	23.0	26.0	42.0	21.0	36.0						
10.0	31.0	24.0	28.0	42.0	22.0	38.0						

