



[www.niccomp.com/pcn](http://www.niccomp.com/pcn) | Technical Support: [tpmg@niccomp.com](mailto:tpmg@niccomp.com)

Issued: December 22nd, 2020  
SUB: End of Life Notification

Product Type: Axial Leaded Multilayer Ceramic Capacitor  
NIC Series: NCMA

The following is notification of the End of Life for the NCMA series of axial leaded multilayer ceramic capacitors. This EOL covers all NCMA part numbers including all case sizes, tolerances, lead configurations and packaging styles.

Effective: December 30<sup>th</sup>, 2020  
Last order date: June 30<sup>th</sup>, 2021  
Last ship date: December 30<sup>th</sup>, 2021

Reason for Change: Low demand  
Prepared by: Technical Product Marketing Group / [tpmg@niccomp.com](mailto:tpmg@niccomp.com)

Use NIC [Quickbuilder](#) to search for possible MLCC and Ceramic Disc capacitor alternatives.

➔ Follow NIC PCN alerts to get email notifications of EOL and PCN announcements at [www.niccomp.com/pcn](http://www.niccomp.com/pcn)

NCMA 10 NPO Part Numbers			
Cap (pF)	50VDC	100VDC	200VDC
1.0	/	/	NCMA10NPO1R0_200_F
1.2	/	/	NCMA10NPO1R2_200_F
2.2	/	/	NCMA10NPO2R2_200_F
2.7	/	/	NCMA10NPO2R7_200_F
3.0	/	/	NCMA10NPO3R0_200_F
3.3	/	/	NCMA10NPO3R3_200_F
3.9	/	/	NCMA10NPO3R9_200_F
4.7	/	/	NCMA10NPO4R7_200_F
5.1	/	/	NCMA10NPO5R1_200_F
5.6	/	/	NCMA10NPO5R6_200_F
6.8	/	/	NCMA10NPO6R8_200_F
7.5	/	/	NCMA10NPO7R5_200_F
8.2	/	/	NCMA10NPO8R2_200_F
9.1	/	/	NCMA10NPO9R1_200_F
10	/	/	NCMA10NPO100_200_F
12	/	/	NCMA10NPO120_200_F
22	/	/	NCMA10NPO220_200_F
27	/	/	NCMA10NPO270_200_F
30	/	/	NCMA10NPO300_200_F
33	/	/	NCMA10NPO330_200_F
39	/	/	NCMA10NPO390_200_F
47	/	/	NCMA10NPO470_200_F
51	/	/	NCMA10NPO510_200_F
56	/	/	NCMA10NPO560_200_F
68	/	/	NCMA10NPO680_200_F
100	/	/	NCMA10NPO101_200_F



[www.niccomp.com/pcn](http://www.niccomp.com/pcn) | Technical Support: [tpmg@niccomp.com](mailto:tpmg@niccomp.com)

NCMA 10 NPO Part Numbers			
Cap (pF)	50VDC	100VDC	200VDC
120	/	/	NCMA10NPO121_200_F
150	/	NCMA10NPO151_100_F	NCMA10NPO151_200_F
220	/	NCMA10NPO221_100_F	NCMA10NPO221_200_F
270	/	NCMA10NPO271_100_F	NCMA10NPO271_200_F
330	/	NCMA10NPO331_100_F	NCMA10NPO331_200_F
390	/	NCMA10NPO391_100_F	/
470	/	NCMA10NPO471_100_F	/
560	/	NCMA10NPO561_100_F	/
680	/	NCMA10NPO681_100_F	/
820	/	NCMA10NPO821_100_F	/
1,000	NCMA10NPO102_50_F	/	/
1,200	NCMA10NPO122_50_F	/	/

NCMA 11 NPO Part Numbers			
Cap (pF)	50VDC	100VDC	200VDC
1,000	/	NCMA11NPO102_100_F	/
1,200	/	NCMA11NPO122_100_F	/
1,500	/	NCMA11NPO152_100_F	/
1,800	NCMA11NPO182_50_F	NCMA11NPO182_100_F	/
2,200	NCMA11NPO222_50_F	NCMA11NPO222_100_F	/
2,700	NCMA11NPO272_50_F	NCMA11NPO272_100_F	/
3,300	NCMA11NPO332_50_F	/	/
3,900	NCMA11NPO392_50_F	/	/

NCMA 20 NPO Part Numbers			
Cap (pF)	50VDC	100VDC	200VDC
1,000	/	NCMA20NPO102_100_F	/
1,200	/	NCMA20NPO122_100_F	/
1,500	/	NCMA20NPO152_100_F	/
1,800	NCMA20NPO182_50_F	NCMA20NPO182_100_F	/
2,200	NCMA20NPO222_50_F	/	/
2,700	NCMA20NPO272_50_F	/	/
3,300	NCMA20NPO332_50_F	/	/
3,900	NCMA20NPO392_50_F	/	/

NCMA 30 NPO Part Numbers			
Cap (pF)	50VDC	100VDC	200VDC
1,800	/	NCMA30NPO182_100_F	/
2,200	/	NCMA30NPO222_100_F	/
2,700	/	NCMA30NPO272_100_F	/



NIC Components Corp.

[www.niccomp.com/pcn](http://www.niccomp.com/pcn) | Technical Support: [tpmg@niccomp.com](mailto:tpmg@niccomp.com)

NCMA 30 NPO Part Numbers			
Cap (pF)	50VDC	100VDC	200VDC
3,300	/	NCMA30NPO332_100_F	/
3,900	/	NCMA30NPO392_100_F	/
4,700	NCMA30NPO472_50_F	/	/
5,600	NCMA30NPO562_50_F	/	/

NCMA 40 NPO Part Numbers			
Cap (pF)	50VDC	100VDC	200VDC
4,700	/	NCMA40NPO472_100_F	/
5,600	/	NCMA40NPO562_100_F	/
6,800	/	NCMA40NPO682_100_F	/
8,200	NCMA40NPO822_50_F	NCMA40NPO822_100_F	/
10,000	NCMA40NPO103_50_F	/	/

NCMA 10 X7R Part Numbers			
Cap (pF)	50VDC	100VDC	200VDC
220	/	/	NCMA10X7R221_200_F
330	/	/	NCMA10X7R331_200_F
470	/	/	NCMA10X7R471_200_F
560	/	NCMA10X7R561_100_F	NCMA10X7R561_200_F
680	/	NCMA10X7R681_100_F	NCMA10X7R681_200_F
820	/	NCMA10X7R821_100_F	NCMA10X7R821_200_F
1,000	/	NCMA10X7R102_100_F	NCMA10X7R102_200_F
1,500	/	NCMA10X7R152_100_F	NCMA10X7R152_200_F
1,800	/	NCMA10X7R182_100_F	NCMA10X7R182_200_F
2,200	/	NCMA10X7R222_100_F	NCMA10X7R222_200_F
2,700	/	NCMA10X7R272_100_F	NCMA10X7R272_200_F
3,300	/	NCMA10X7R332_100_F	NCMA10X7R332_200_F
3,900	/	NCMA10X7R392_100_F	NCMA10X7R392_200_F
4,700	/	NCMA10X7R472_100_F	NCMA10X7R472_200_F
6,800	/	NCMA10X7R682_100_F	NCMA10X7R682_200_F
8,200	NCMA10X7R822_50_F	NCMA10X7R822_100_F	NCMA10X7R822_200_F
10,000	NCMA10X7R103_50_F	NCMA10X7R103_100_F	NCMA10X7R103_200_F
15,000	NCMA10X7R153_50_F	NCMA10X7R153_100_F	/
18,000	NCMA10X7R183_50_F	/	/
22,000	NCMA10X7R223_50_F	/	/
33,000	NCMA10X7R333_50_F	/	/
47,000	NCMA10X7R473_50_F	/	/



NIC Components Corp.

[www.niccomp.com/pcn](http://www.niccomp.com/pcn) | Technical Support: [tpmg@niccomp.com](mailto:tpmg@niccomp.com)

NCMA 11 X7R Part Numbers			
Cap (pF)	50VDC	100VDC	200VDC
18,000	/	NCMA11X7R183_100_F	/
22,000	/	NCMA11X7R223_100_F	/
33,000	/	NCMA11X7R333_100_F	/
39,000	/	NCMA11X7R393_100_F	/
47,000	NCMA11X7R473_50_F	/	/
56,000	NCMA11X7R563_50_F	/	/
68,000	NCMA11X7R683_50_F	/	/
82,000	NCMA11X7R823_50_F	/	/
100,000	NCMA11X7R104_50_F		

NCMA 20 X7R Part Numbers			
Cap (pF)	50VDC	100VDC	200VDC
8,200	/	NCMA20X7R822_100_F	/
10,000	/	NCMA20X7R103_100_F	/
22,000	/	NCMA20X7R223_100_F	/
27,000	NCMA20X7R273_50_F	NCMA20X7R273_100_F	/
33,000	NCMA20X7R333_50_F	NCMA20X7R333_100_F	/
39,000	NCMA20X7R393_50_F	/	/
47,000	NCMA20X7R473_50_F	/	/
56,000	NCMA20X7R563_50_F	/	/
68,000	NCMA20X7R683_50_F	/	/
82,000	NCMA20X7R823_50_F	/	/
100,000	NCMA20X7R104_50_F	/	/

NCMA 30 X7R Part Numbers			
Cap (pF)	50VDC	100VDC	200VDC
22,000	/	NCMA30X7R223_100_F	/
27,000	/	NCMA30X7R273_100_F	/
33,000	/	NCMA30X7R333_100_F	/
56,000	NCMA30X7R563_50_F	NCMA30X7R563_100_F	/
68,000	NCMA30X7R683_50_F	NCMA30X7R683_100_F	/
82,000	NCMA30X7R823_50_F	NCMA30X7R823_100_F	/
100,000	NCMA30X7R104_50_F	NCMA30X7R104_100_F	/
220,000	NCMA30X7R224_50_F	/	/
330,000	NCMA30X7R334_50_F	/	/



NIC Components Corp.

[www.niccomp.com/pcn](http://www.niccomp.com/pcn) | Technical Support: [tpmg@niccomp.com](mailto:tpmg@niccomp.com)

NCMA 40 X7R Part Numbers			
Cap (pF)	50VDC	100VDC	200VDC
120,000	/	NCMA40X7R124_100_F	/
150,000	/	NCMA40X7R154_100_F	/
180,000	/	NCMA40X7R184_100_F	/
330,000	NCMA40X7R334_50_F	/	/
470,000	NCMA40X7R474_50_F	/	/

NCMA 10 Z5U Part Numbers			
Cap (pF)	50VDC	100VDC	200VDC
10,000	/	NCMA10Z5U103_100_F	/
15,000	/	NCMA10Z5U153_100_F	/
22,000	/	NCMA10Z5U223_100_F	/
33,000	/	NCMA10Z5U333_100_F	/
47,000	/	NCMA10Z5U473_100_F	/
68,000	NCMA10Z5U683_50_F	/	/
82,000	NCMA10Z5U823_50_F	/	/
100,000	NCMA10Z5U104_50_F	/	/
220,000	NCMA10Z5U224_50_F	/	/

NCMA 11 Z5U Part Numbers			
Cap (pF)	50VDC	100VDC	200VDC
22,000	NCMA11Z5U223_50_F	/	/
33,000	NCMA11Z5U333_50_F	/	/
47,000	NCMA11Z5U473_50_F	/	/
100,000	/	NCMA11Z5U104_100_F	/

NCMA 20 Z5U Part Numbers			
Cap (pF)	50VDC	100VDC	200VDC
33,000	/	NCMA20Z5U333_100_F	/
47,000	NCMA20Z5U473_50_F	NCMA20Z5U473_100_F	/
68,000	NCMA20Z5U683_50_F	/	/
82,000	NCMA20Z5U823_50_F	/	/
100,000	NCMA20Z5U104_50_F	/	/



NIC Components Corp.

[www.niccomp.com/pcn](http://www.niccomp.com/pcn) | Technical Support: [tpmg@niccomp.com](mailto:tpmg@niccomp.com)

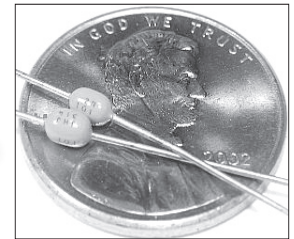
NCMA 30 Z5U Part Numbers			
Cap (pF)	50VDC	100VDC	200VDC
680,000	/	NCMA30Z5U683_100_F	/
820,000	/	NCMA30Z5U823_100_F	/
100,000	/	NCMA30Z5U104_100_F	/
150,000	NCMA30Z5U154_50_F	NCMA30Z5U154_100_F	/
180,000	NCMA30Z5U184_50_F	/	/
220,000	NCMA30Z5U224_50_F	NCMA30Z5U224_100_F	/
330,000	NCMA30Z5U334_50_F	NCMA30Z5U334_100_F	/
470,000	NCMA30Z5U474_50_F	/	/
1,000,000	NCMA30Z5U105_50_F		

NCMA 40 Z5U Part Numbers			
Cap (pF)	50VDC	100VDC	200VDC
150,000	/	NCMA40Z5U154_100_F	/
220,000	/	NCMA40Z5U224_100_F	/
330,000	/	NCMA40Z5U334_100_F	/
470,000	/	NCMA40Z5U474_100_F	/

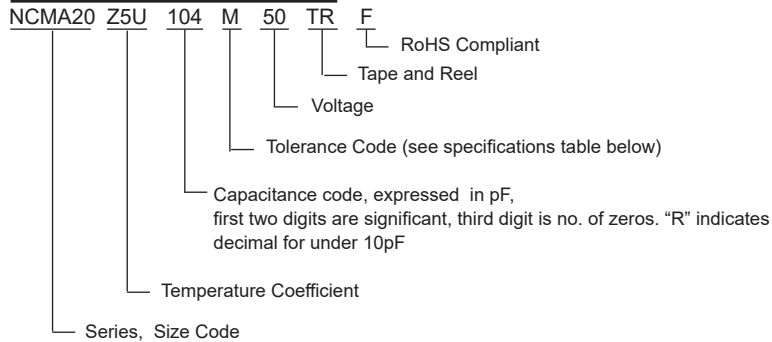
### FEATURES

- CONFORMALLY COATED, MINIATURE SIZE
- 50, 100, AND 200 Vdc
- NPO, X7R, AND Z5U TEMPERATURE COEFFICIENTS
- SUPPLIED ON TAPE AND REEL

**RoHS Compliant**  
Includes all homogeneous materials  
\*See Part Number System for Details



### PART NUMBER SYSTEM



### SPECIFICATIONS

Characteristics	NPO	X7R	Z5U
Capacitance Range*	1pF ~ 0.01μF	220pF ~ 0.47μF	0.01μF ~ 1.0μF
Capacitance Tolerance (Code)	±1%(F), ±2%(G), ±5%(J)	±5%(J), ±10%(K), ±20%(M)	±20%(M), +80%/-20%(Z)
Operating Temperature Range	-55°C to +125°C	-55°C to +125°C	+10°C to +85°C
Temperature Characteristics	0±30ppm/°C	±15% (0 Vdc)	+22%/-56%
Voltage Rating	50, 100 & 200 Vdc	50, 100 & 200 Vdc	50 & 100 Vdc
Dissipation Factor	0.15% Max. (+25°C and +125°C) for values greater than 30 pF. For values of 30pF and below: Q = 20 x C +400 1.0Vrms 1MHz for values ≤ 1000pF 1KHz for values > 1000pF	2.5% Max. at 1KHz, 1Vrms Max.	4.0% Max. at 1KHz, 5Vrms Max.
Insulation Resistance 25°C (Mil- STD-202, Method 302)	100K Megohms or 1000 Megohm -μF Min., Whichever is Less	100K Megohms or 1000 Megohm -μF Min., Whichever is Less	10K Megohms or 100 Megohm -μF Min., Whichever is Less
Dielectric Strength	250% of Rated Voltage	250% of Rated Voltage	200% of Rated Voltage
Life Test (1000 hours)	200% of Rated Voltage at +125°C	200% of Rated Voltage at +125°C	150% of Rated Voltage at +85°C

### SIZE CODE AND AVAILABLE CAPACITANCE RANGE

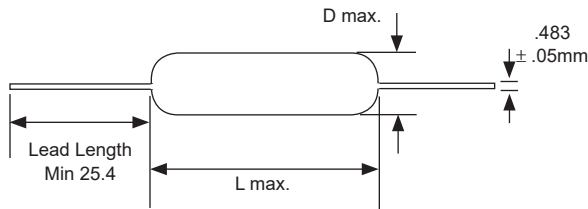
Size Code	WVDC	NPO	X7R	Z5U
NCMA10	50	1000pF~1200pF	8200pF~0.047μF	0.068μF~0.22μF
	100	150pF~820pF	560pF~0.015μF	0.01μF~0.047μF
	200	1pF~330pF*	220pF~0.01μF	-
NCMA11	50	1800pF~3900pF	0.047μF~0.1μF	0.22μF~0.047μF
	100	1000pF~2700pF	0.018μF~0.039μF	0.1μF
NCMA20	50	1800pF~3900pF	0.027μF~0.1μF	0.047μF~0.1μF
	100	1000pF~1800pF	8200pF~0.033μF	0.033μF~0.047μF
NCMA30	50	4700pF~5600pF	0.056μF~0.33μF	0.15μF~1.0μF
	100	1800pF~3900pF	0.022μF~0.1μF	0.068μF~0.33μF
NCMA40	50	8200pF~0.01μF	0.33μF~0.47μF	-
	100	4700pF~8200pF	0.12μF~0.18μF	0.15μF~0.47μF

\*-Selected values, Please contact NIC for availability.

# Conformally Coated, Axial Multilayer Ceramic Capacitors

## DIMENSIONS (mm)

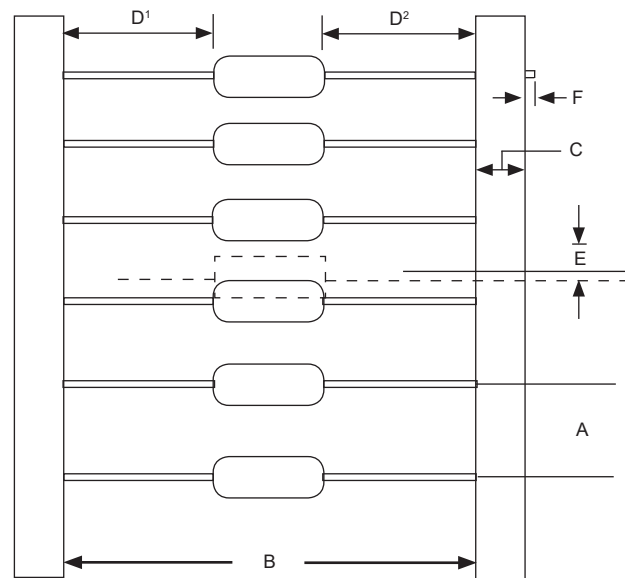
Type	D Diameter	L Length
NCMA10	2.54	4.32
NCMA11	3.50	4.32
NCMA20	2.54	6.80
NCMA30	3.81	7.37
NCMA40	3.81	10.16



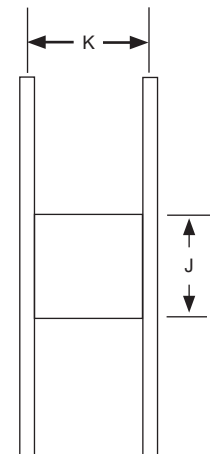
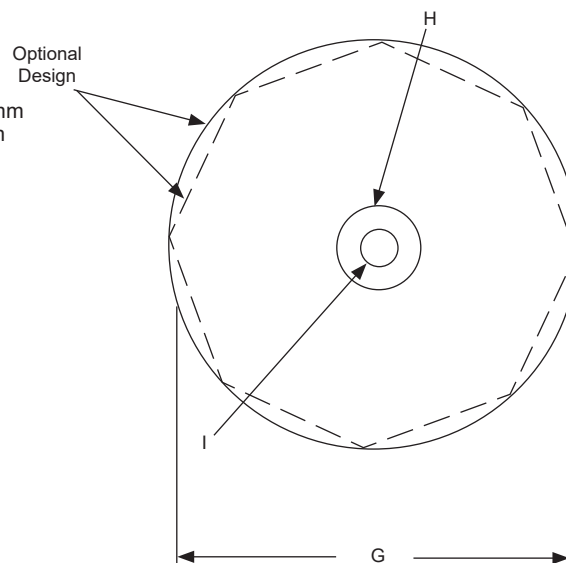
## TAPE AND REEL CLASS 1 RS-296

A	5mm ± 0.5mm
B*	52.4mm ± 1.5mm
C	6.35mm ± 0.4mm
E	1.2mm
F	1.6mm
G	356mm
H	76mm
I	25.4mm
J	84mm
K	70mm

\*ALSO AVAILABLE IN 26.0mm  $+1.5mm$   
 $-0mm$



**LEADER TAPE:** 300mm min.  
**SPLICING TAPE:** Tape Only  
**MISSING PARTS:** 0.25% of component count max.  
No consecutive missing parts



## REEL QUANTITIES

NCMA 10	7500 pcs
NCMA 11	5000 pcs
NCMA 20	5000 pcs
NCMA 30	5000 pcs
NCMA 40	5000 pcs