



NIC COMPONENTS CORP.

70 Maxess Road • Melville, New York 11747
(631) 936-7500 • Fax (631) 396-7575

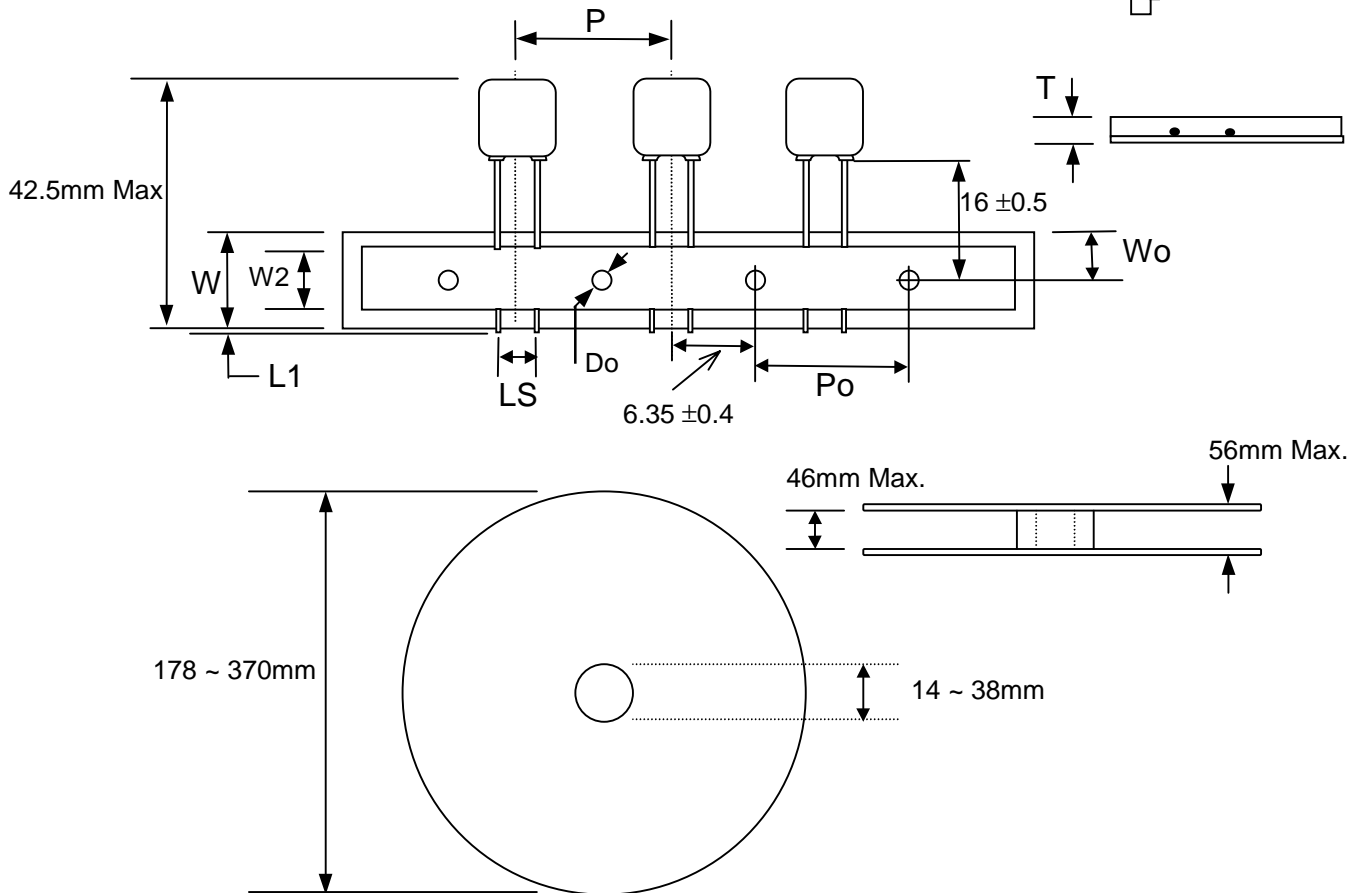
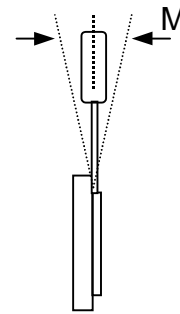
7/21/99

TAPE SPECIFICATIONS

NCM SERIES RADIAL LEADED MLC CERAMIC CAPACITORS

DIMENSION (mm)

- | | |
|----------------------------------|---------------------------------|
| 1. Component Pitch (P): | 12.7 ±1.0 |
| 2. Lead Spacing (LS): | 2.54 +.79/-.20 or 5.0 +.79/-.20 |
| 3. Carrier Tape Width (W): | 18.0 +1.0/-0.5 |
| 4. Hold-Down Tape Width (W2): | 12.5 +3.0/-0 |
| 5. Sprocket Hole Pitch (Po): | 12.7 ±0.3 |
| 6. Sprocket Hole Diameter (Do): | 4.0 ±0.2 |
| 7. Sprocket Hole Position (Wo): | 9.0 +0.75/-0.5 |
| 8. Lead Protrusion (L1): | 1.0 Max. |
| 9. Composite Tape Thickness (T): | 0.9 Max. |
| 10. Component Misalignment (M): | 1.0 Max. |



ISO 9002 REGISTERED



NIC COMPONENTS CORP.

70 Maxess Road • Melville, New York 11747
 (631) 936-7500 • Fax (631) 396-7575

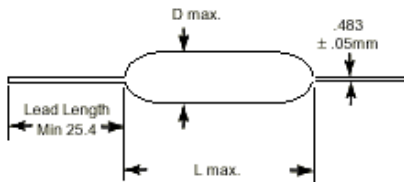
7/21/99

TAPE SPECIFICATIONS

**NCMA SERIES
 AXIAL LEADED MLC CERAMIC CAPACITORS**

DIMENSIONS (mm)

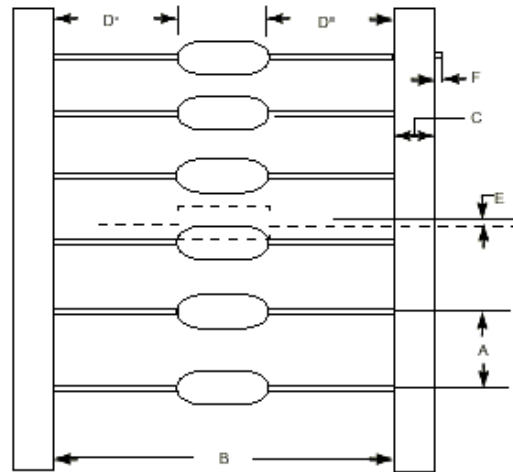
Type	D Diameter	L Length
NCMA 10	2.54	4.32
NCMA 11	3.5	4.32
NCMA 20	2.54	6.6
NCMA 30	3.81	7.37
NCMA 40	3.81	10.16



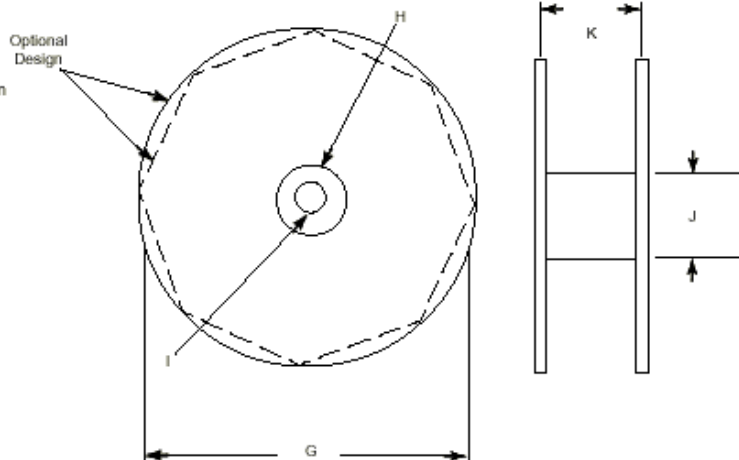
**TAPE AND REEL
 CLASS 1
 RS-296**

A.	5mm ± 0.5mm
B*	52.4mm ± 1.5mm
C.	6.35mm ± 0.4mm
E.	1.2mm
F.	1.6mm
G.	356mm
H.	76mm
I.	25.4mm
J.	84mm
K.	70mm

*ALSO AVAILABLE IN 26.0mm
 +1.5mm
 -0mm



LEADER TAPE: 300mm min.
SPLICING TAPE: Tape Only
MISSING PARTS: 0.25% of component count max.
 No consecutive missing parts



REEL QUANTITIES

NCMA 10	7500 pcs
NCMA 11	5000 pcs
NCMA 20	5000 pcs
NCMA 30	5000 pcs
NCMA 40	5000 pcs

ISO 9002 REGISTERED