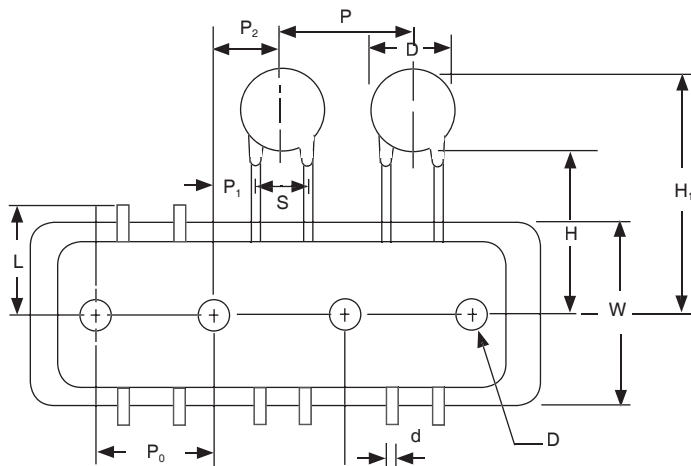
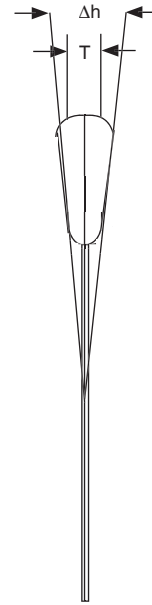
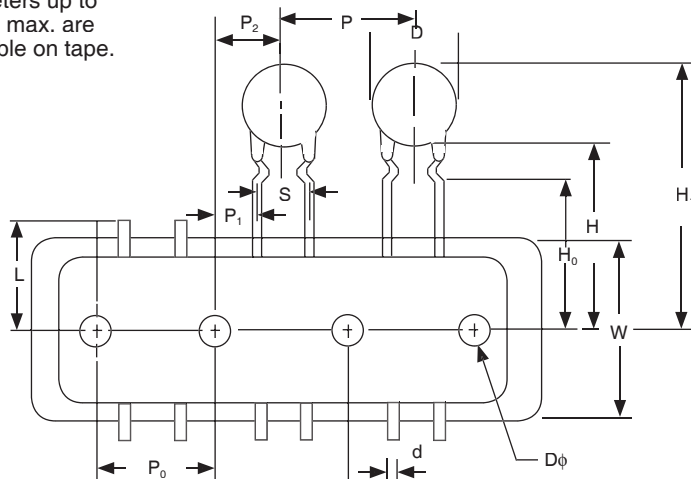


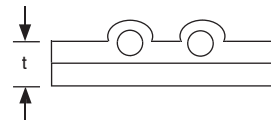
### DIMENSIONS (mm)



Diameters up to 22mm max. are available on tape.



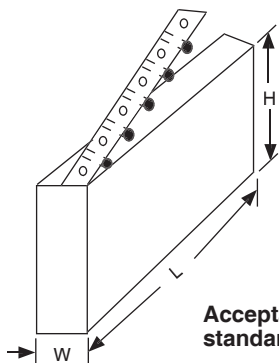
**T = 2 ~ 7mm DEPENDENT ON T.C. AND CV**



Symbol	D	d	P*	P <sub>0</sub>	P <sub>1</sub>	P <sub>2</sub>	S	H	H <sub>0</sub>	H <sub>1</sub>	D <sub>φ</sub>	W	L	t	Δh
Value	Max. 12.0	0.6	12.7 25.4	12.7	5.1 3.85 3.18 2.6	6.35	2.5 5.0 6.35 7.5	20.0	16.0	Max. 32.25	4.0	18.0	Max. 11.00	0.7	0
Tolerance	---	+0.06 -0.05	±1.0	±0.2	±0.7	±1.0	±0.8 -0.2	+1.5 -1.0	±0.5	---	±0.2	±0.5	---	±0.2	±2.0

\* -Dimension "P" is 12.7mm, for diameters up to 12mm, and 25.4mm for diameters 13-22mm.

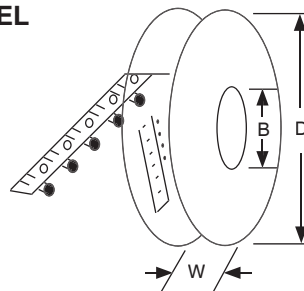
### AMMO PACK



**H ≤ 372 (14.64")**  
**L ≤ 377 (14.84")**  
**W ≤ 55 (2.16")**

Acceptable to standard radial type cartridge.

### REEL



**D < 354 (13.93")**  
**B > 21 (.83") but**  
**< 30 (1.18")**  
**W < 55 (2.16")**

Acceptable to standard radial type cartridge with a few extra accessories.

