



<http://www.niccomp.com> / Technical Inquiries: tpmg@niccomp.com

June 2, 2008

PRODUCT CHANGE NOTICE

PRODUCTS: Surface Mount Capacitors
NIC PRODUCT SERIES: NPC Series

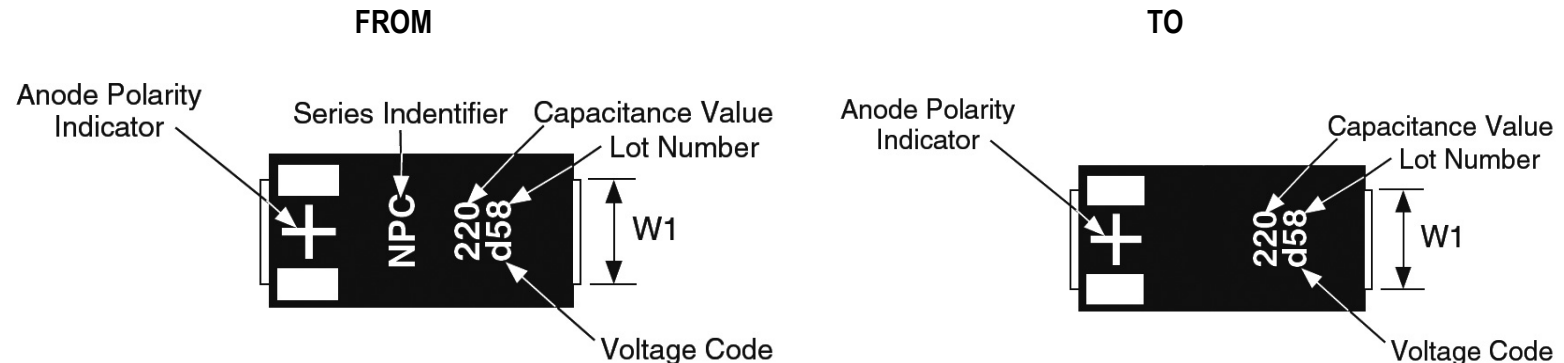
THE FOLLOWING IS NOTICE REGARDING A CHANGE IN PART MARKING OF THE NPC SERIES OF SURFACE MOUNT SOLID ALUMINUM ELECTROLYTIC CAPACITORS. THIS CHANGE IS COSMETIC ONLY AND HAS NO EFFECT ON THE MECHANICAL OR ELECTRICAL SPECIFICATIONS OF THE PARTS.

START DATE: February 15th, 2008

COMPLETION DATE: October 31st, 2008

REASON FOR CHANGE: Lack of available space for marking smaller case sizes to be introduced in Q4 of 2008.

PART NUMBERS EFFECTED: All NPC part numbers



PREPARED BY:
Paul Harris, Technical Sales Manager, NIC Components Corporation