



NIC Components Corp.

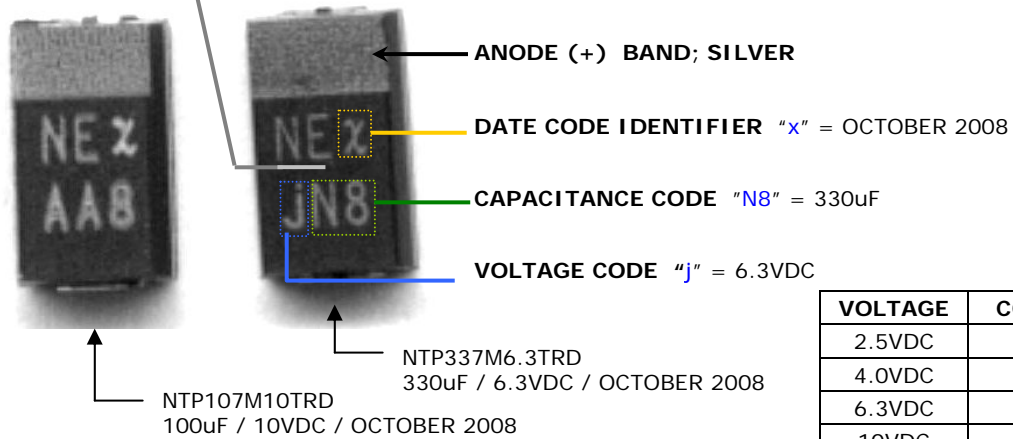
[www.niccomp.com](http://www.niccomp.com)

Technical Inquiries: [tpmg@niccomp.com](mailto:tpmg@niccomp.com)

Rev2 - April 2008

## COMPONENT MARKING

### NTP SERIES - POLYMER CATHODE TANTALUM CHIP CAPACITORS



VOLTAGE	CODE
2.5VDC	e
4.0VDC	g
6.3VDC	j
10VDC	A
16VDC	C

### DATE CODE GUIDE

MONTH	2005	2006	2007	2008	2009
JANUARY	A	N	a	n	A
FEBRUARY	B	P	b	p	B
MARCH	C	Q	c	q	C
APRIL	D	R	d	r	D
MAY	E	S	e	s	E
JUNE	F	T	f	t	F
JULY	G	U	g	u	G
AUGUST	H	V	h	v	H
SEPTEMBER	J	W	j	w	J
OCTOBER	K	X	k	x	K
NOVEMBER	L	Y	l	y	L
DECEMBER	M	Z	m	z	M

CAPACITANCE	CODE
2.2uF	J6
3.3uF	N6
4.7uF	S6
6.8uF	W6
10uF	A7
15uF	E7
22uF	J7
33uF	N7
47uF	S7
68uF	W7
100uF	A8
150uF	E8
220uF	J8
330uF	N8
470uF	S8
680uF	W8
1000uF	A9