

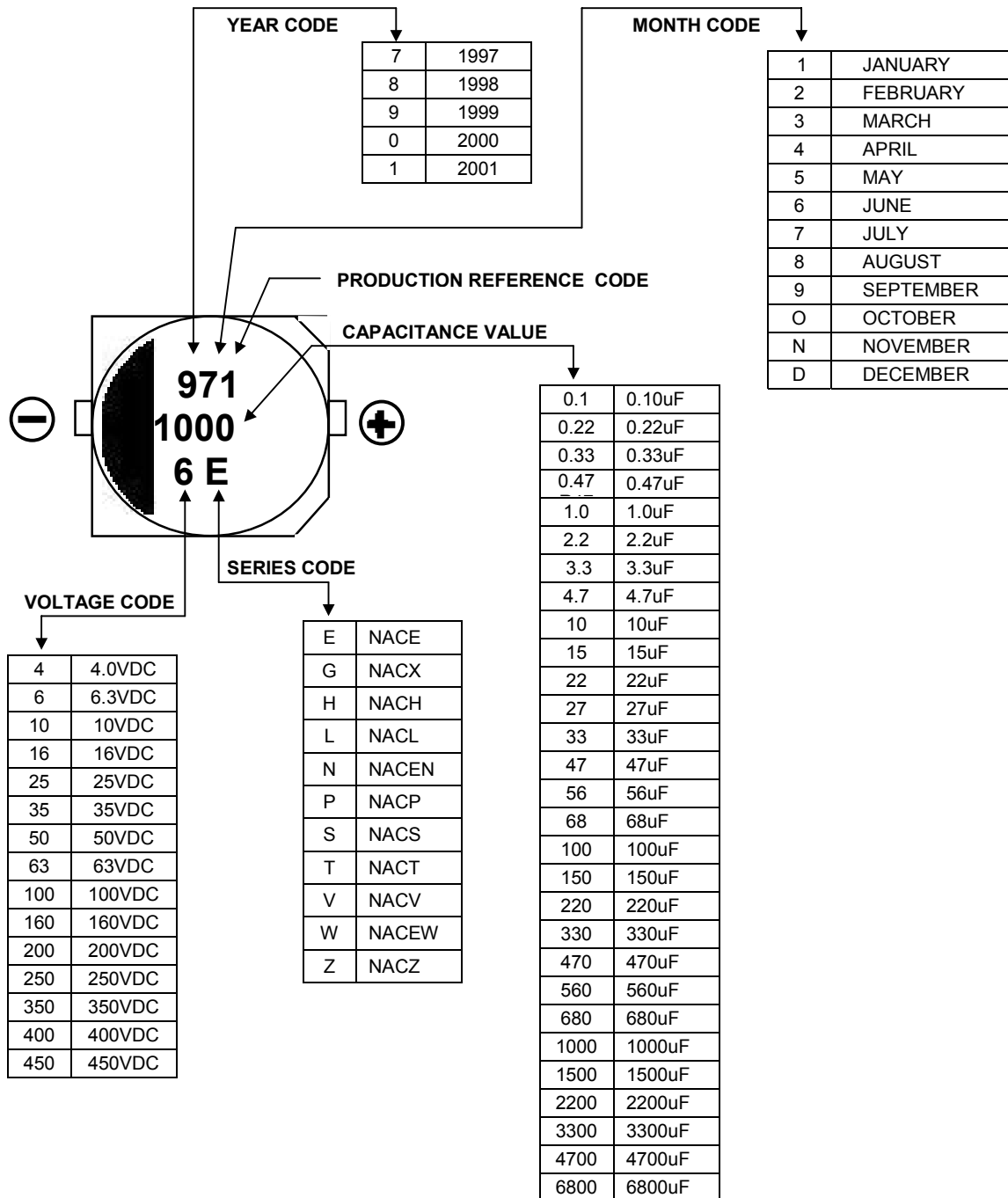


NIC COMPONENTS CORP.
70 Maxess Road • Melville, New York 11747
(631) 396-7500 • Fax (631) 396-7575

COMPONENT MARKING

SMT ALUMINUM ELECTROLYTIC CAPACITOR

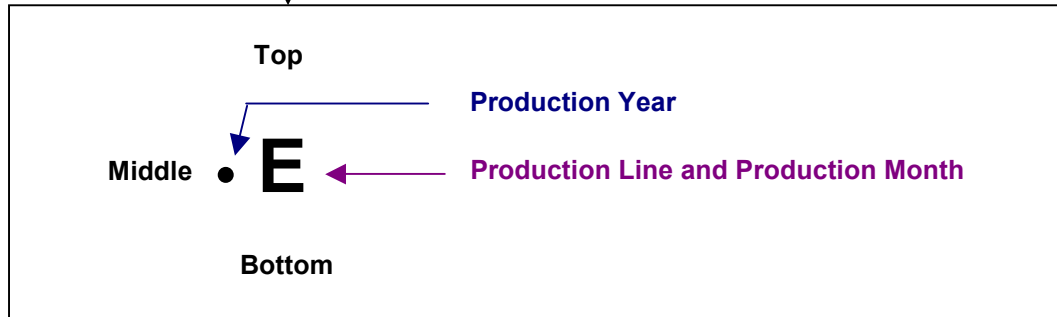
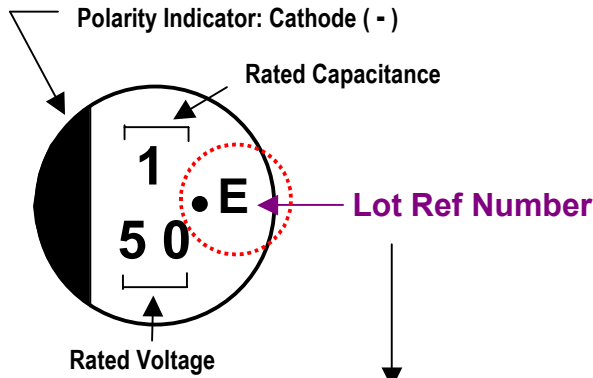
(EFFECTIVE OCTOBER 1999)





NIC COMPONENTS CORP.

70 Maxess Road • Melville, New York 11747
 (631) 396-7500 • Fax (631) 396-7575



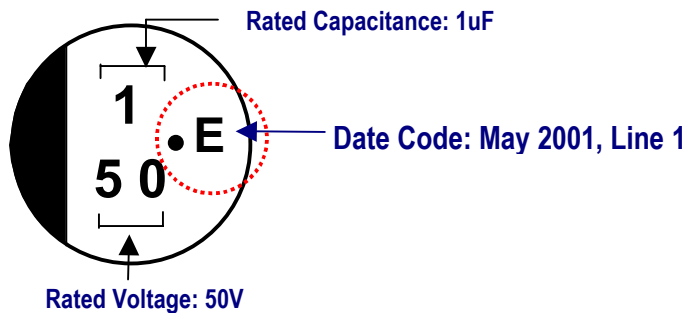
[Production Year]

Black Dot Mark	Blank	Top	Middle	Bottom
Year	1999	2000	2001	2002

[Production Line and Production Month & Year]

Month	Jan.	Feb.	Mar.	Apr.	May	June	July	Aug.	Sep.	Oct.	Nov.	Dec.
Line 1	A	B	C	D	E	F	G	H	I	J	K	L
Line 2	M	N	O	P	Q	R	S	T	U	V	W	X

[Example] Rated Voltage: 50V, Rated Capacitance: 1uF
 Production Line: Line 1, Production Month: May, Production Year: 2001



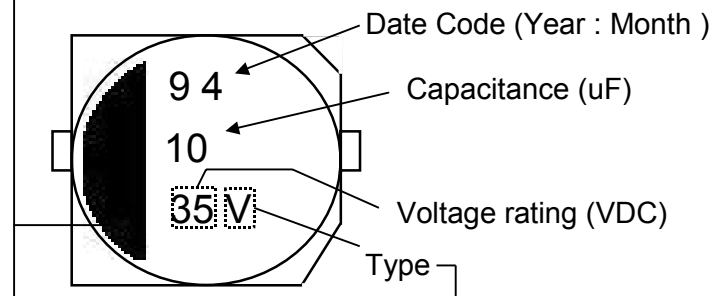
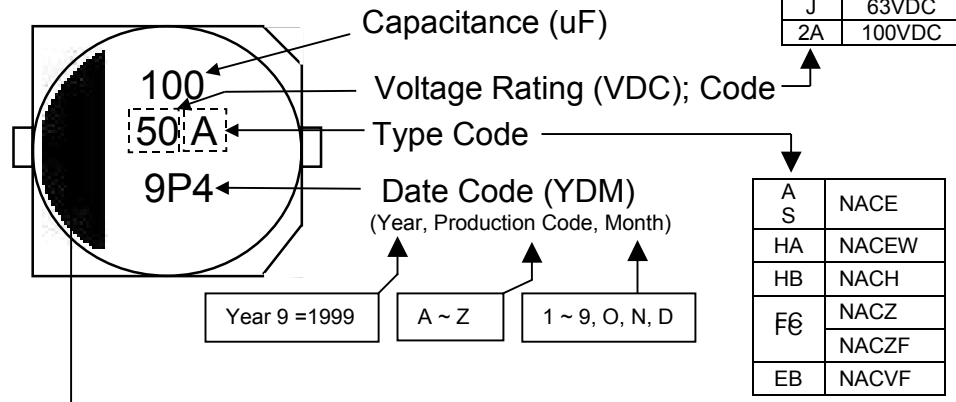


NIC COMPONENTS CORP.
 70 Maxess Road • Melville, New York 11747
 (631) 396-7500 • Fax (631) 396-7575

5/15/01

(OLDER MARKING SYSTEMS)

**SMT ALUMINUM ELECTROLYTIC CAPACITOR
 PART MARKING**



Black Polarity Band Cathode (-) Identifier (except for NACEN)

F	NACEW
	NACV
G	NACX
H	NACH
L	NACL
N	NACEN
P	NACT
S	NACE
V	NACE
	NACP
X	NACZ